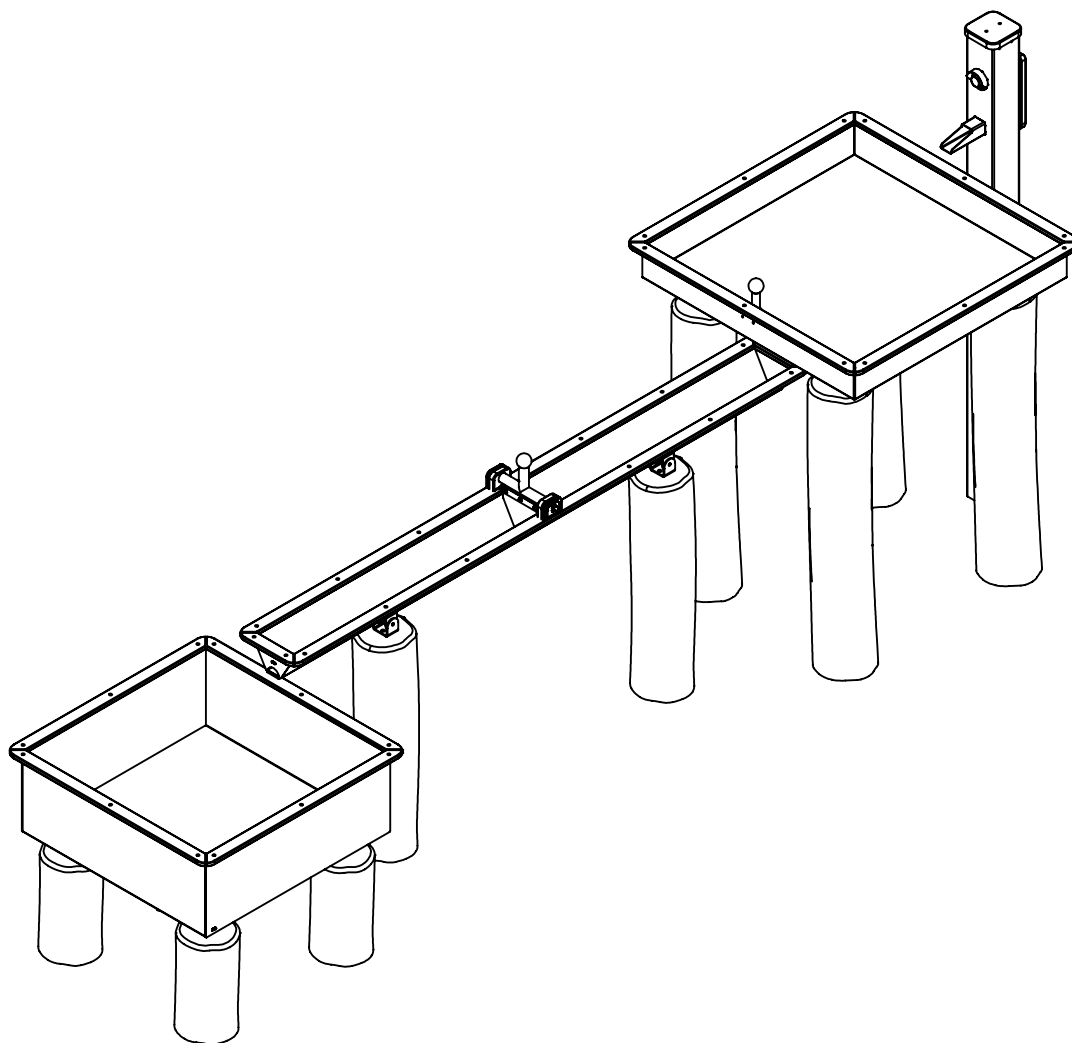
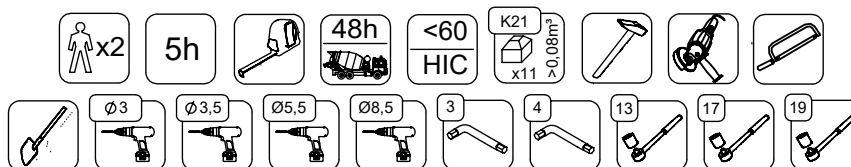


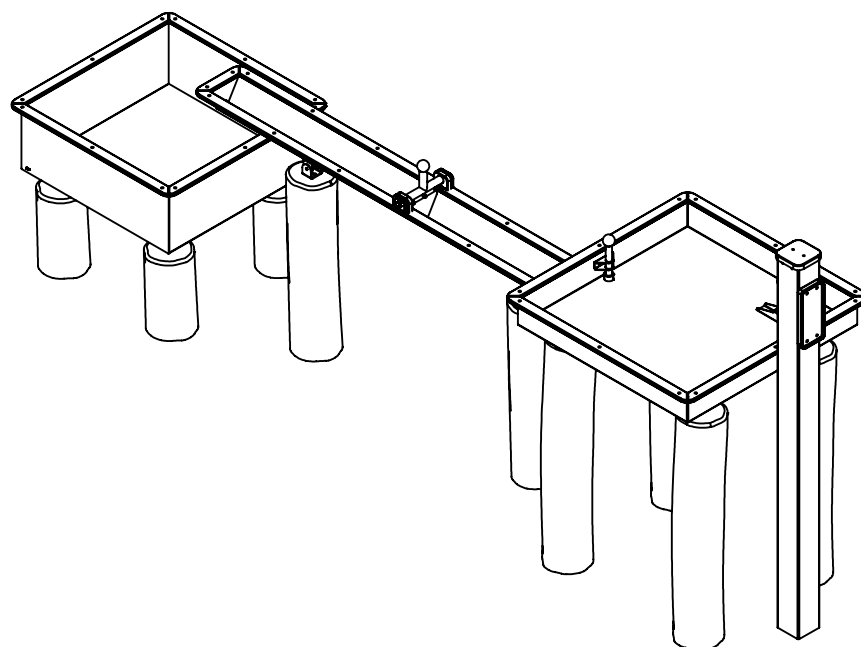
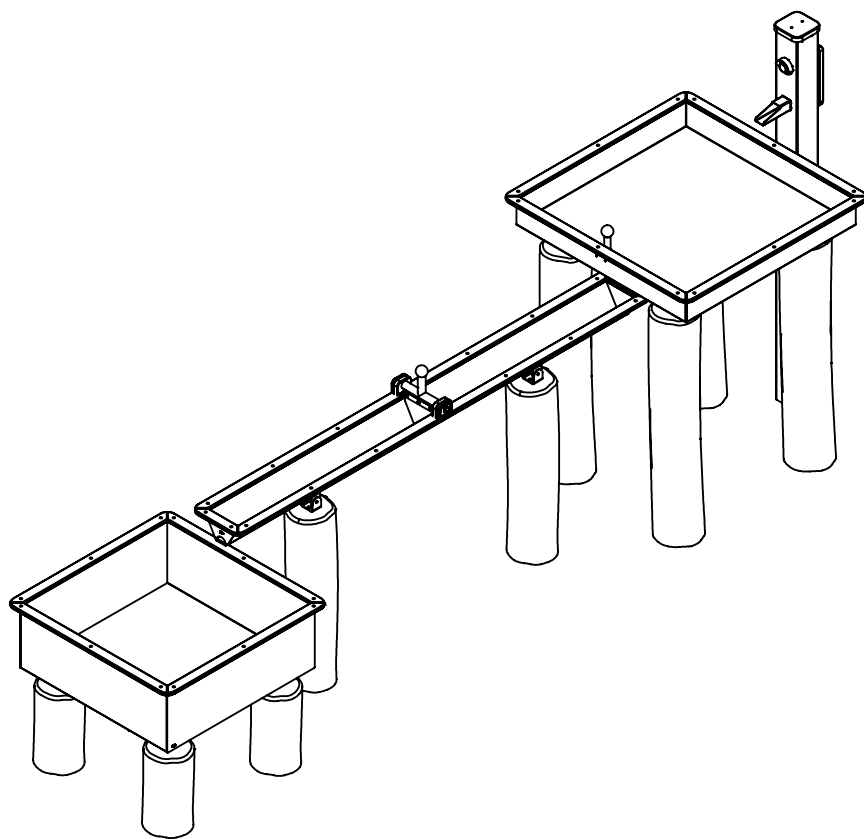
RB2854



v010
01.12.2022
D. P.
[cm]

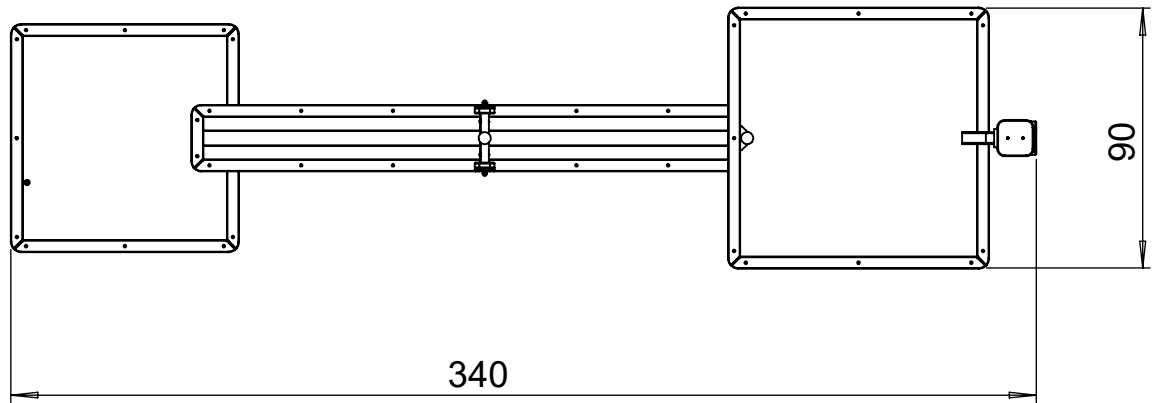
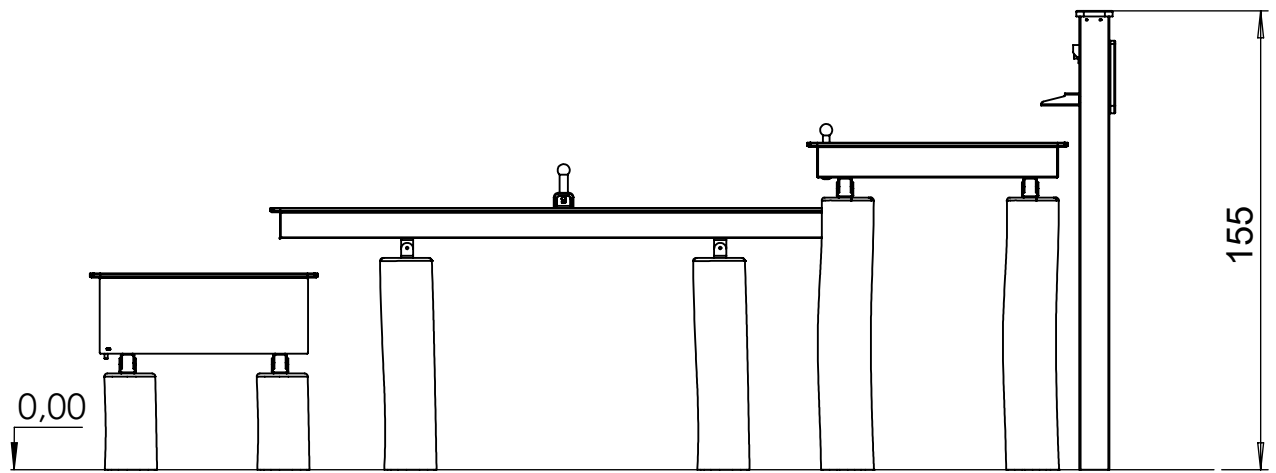


vinci
play



[cm]

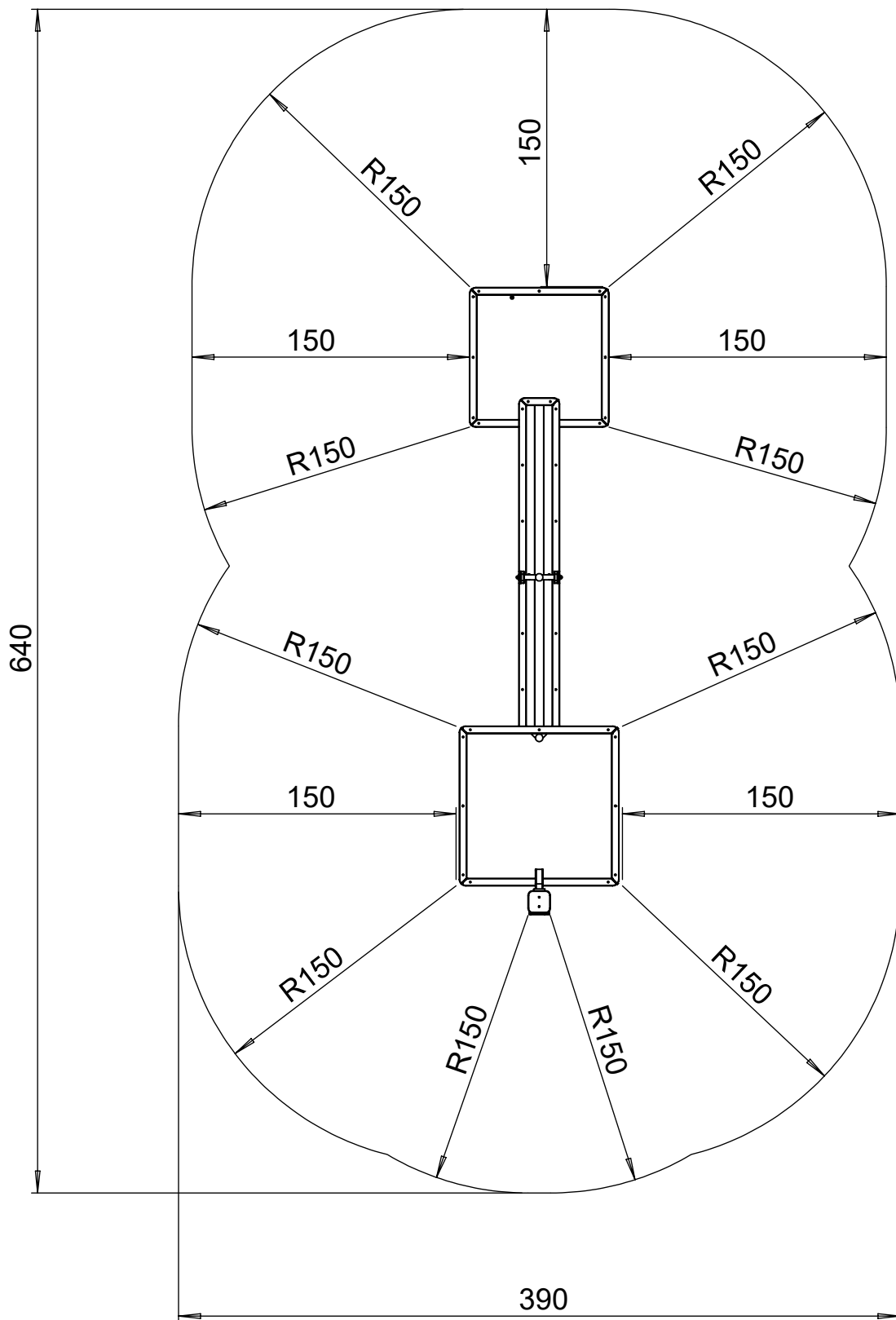
vinci
play



[cm]



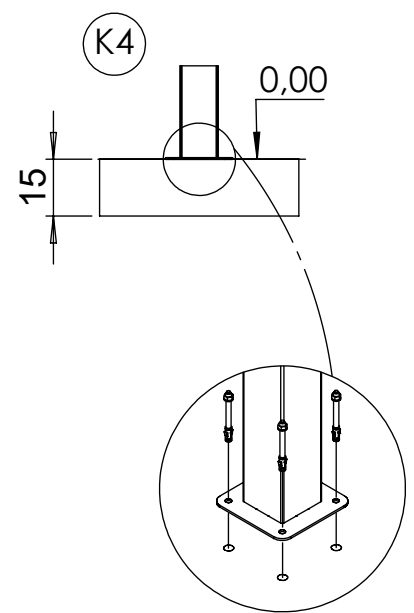
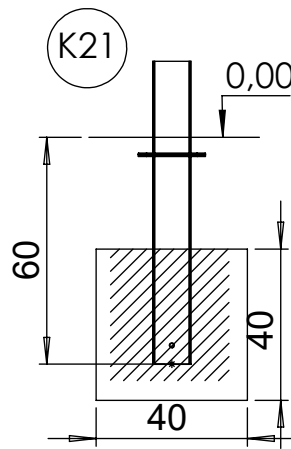
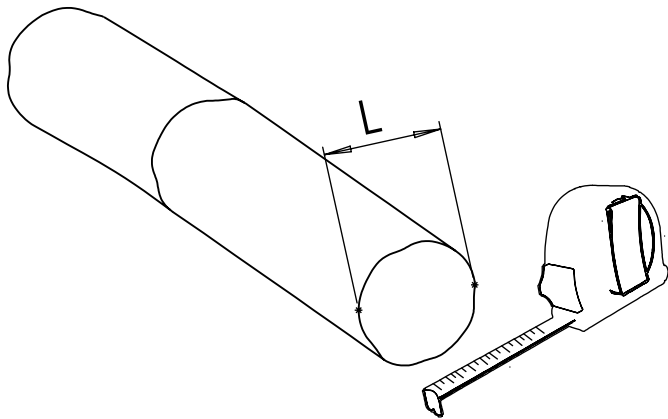
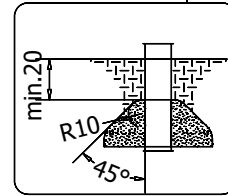
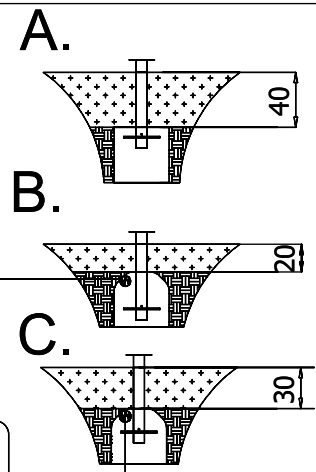
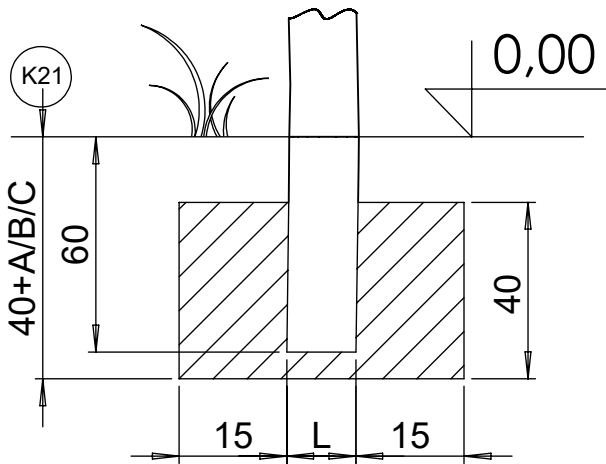
vinci
play



[cm]

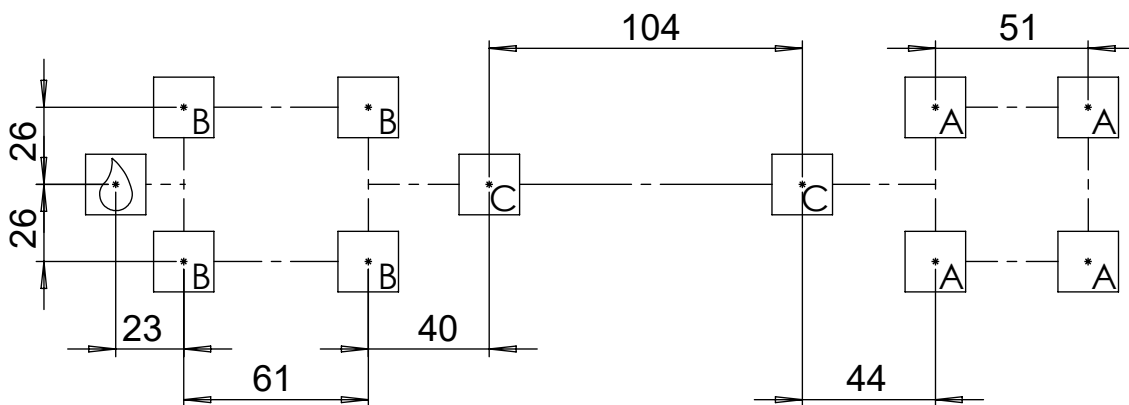


vinci
play



4x M10x120 (K4)

NOT INCLUDED



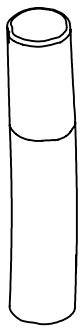
[cm]



6h



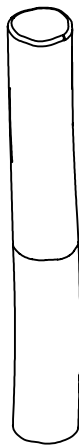
vinci
play



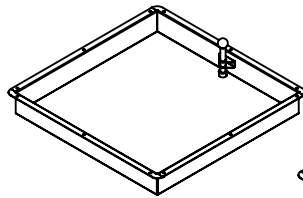
127732 (A)
x4



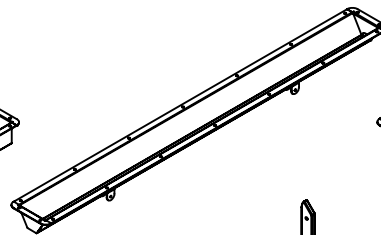
127747 (B)
x4



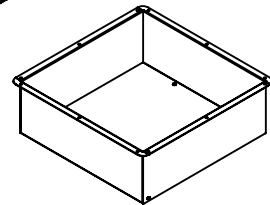
127754 (C)
x2



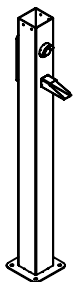
284109
x1



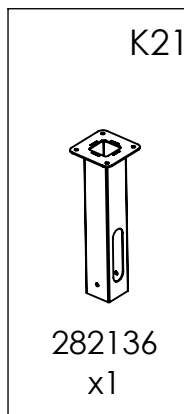
282130
x1



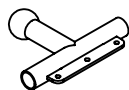
282129
x1



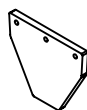
284107
x1



282136
x1



282108
x1



281102
x1



281121
x4



281122
x4

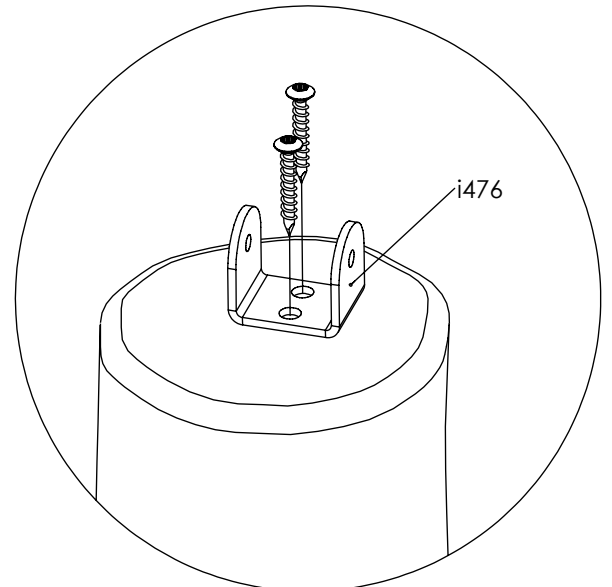
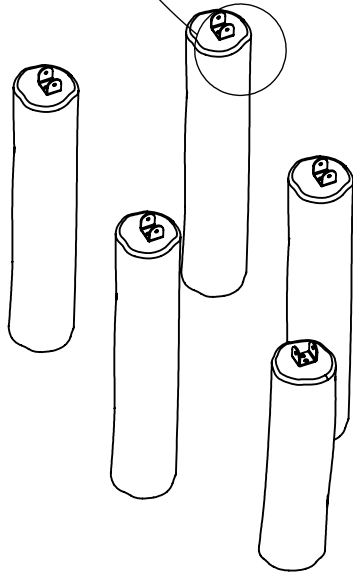
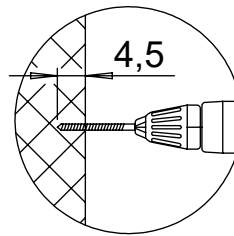
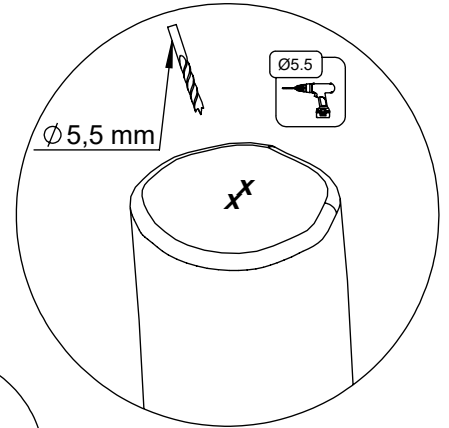
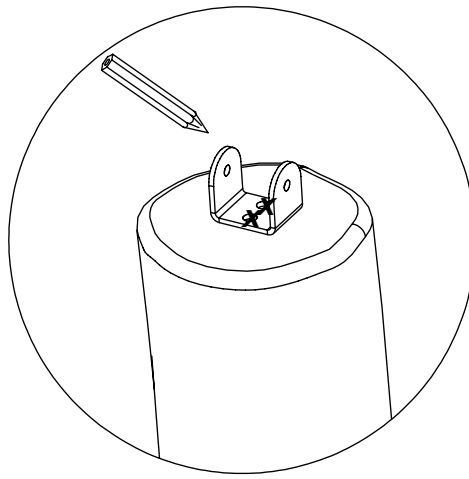
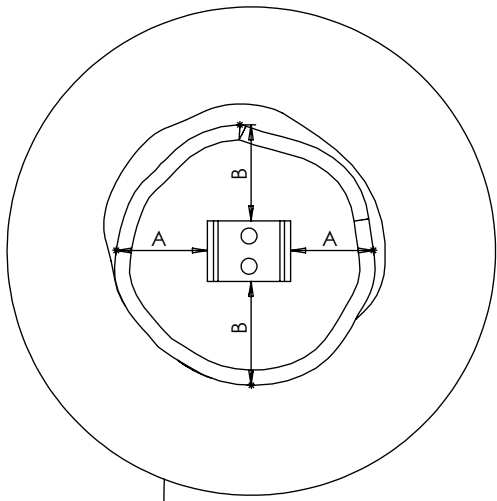


281117
x2



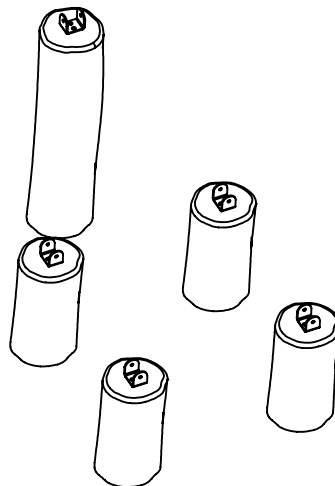
281114
x2

| Qty. | |
|------|---------|
| 20 | 8x50sxi |
| 40 | 8x25ikl |
| 20 | 8x16ikl |
| 60 | 8nk |
| 1 | 12e111 |
| 1 | 12e112 |
| 1 | 12e113 |
| 1 | 23e001 |
| 1 | 23e003 |
| 1 | 286103 |
| 10 | i476 |
| 1 | GL |
| 1 | V001 |



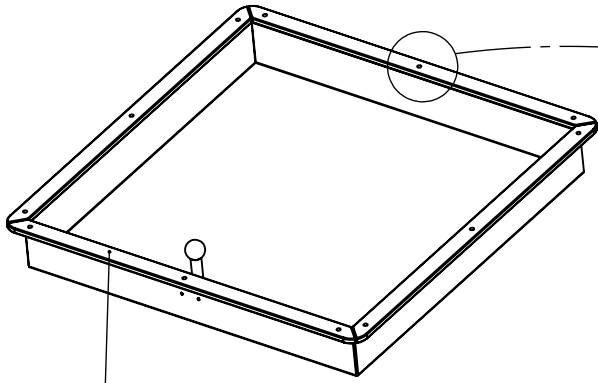
20x 8x50sxi

10x i476

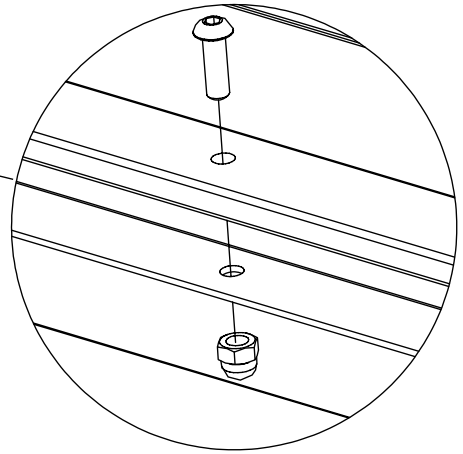


[cm]

vinci
play

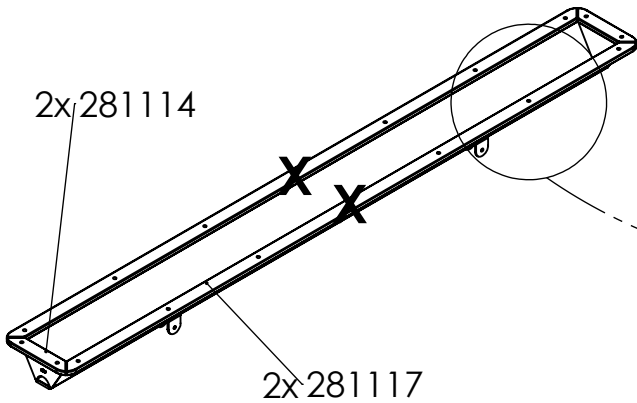


4x 281121



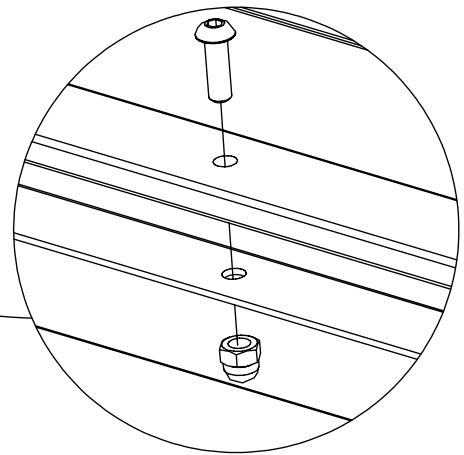
12x 8x25i

12x 8n



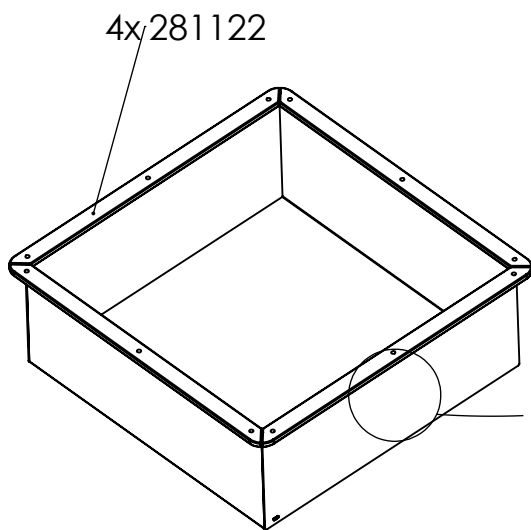
2x 281114

2x 281117

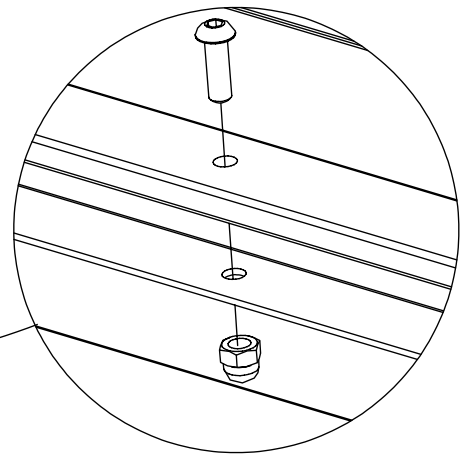


16x 8x25i

16x 8n

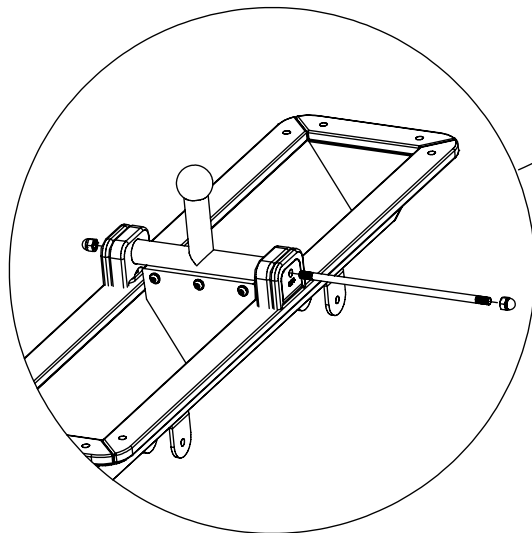
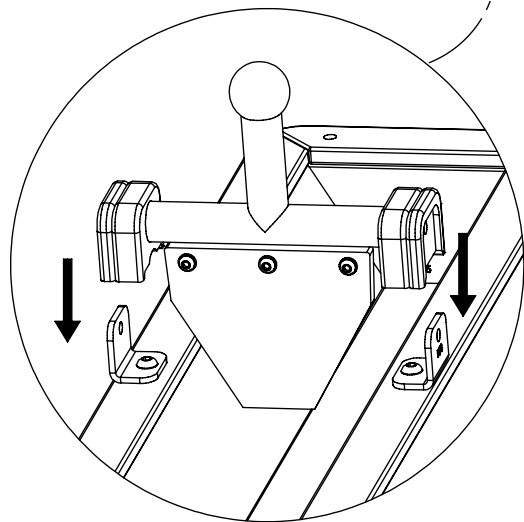
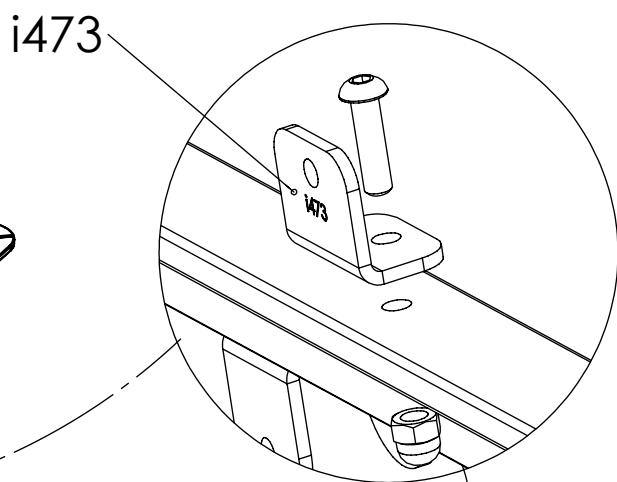
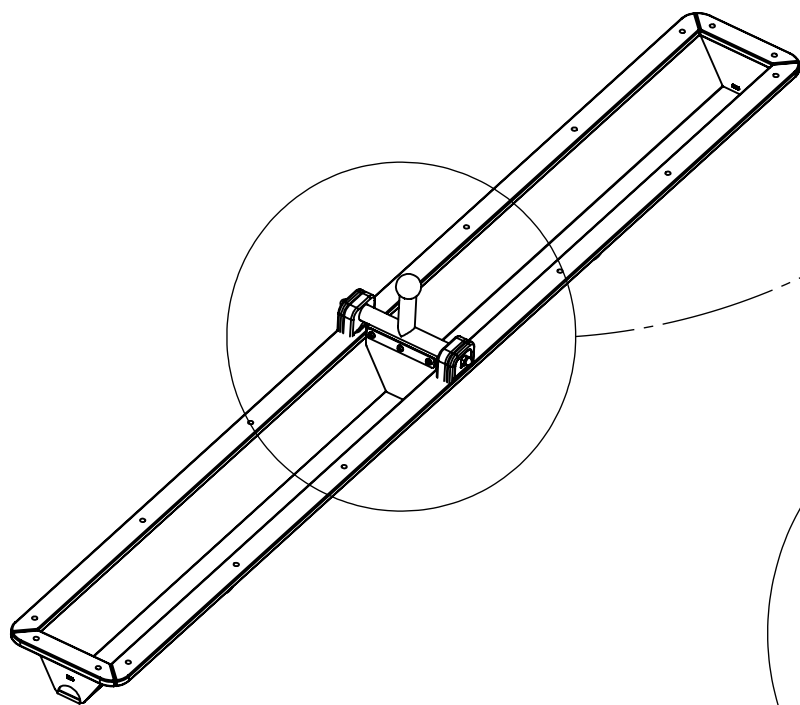
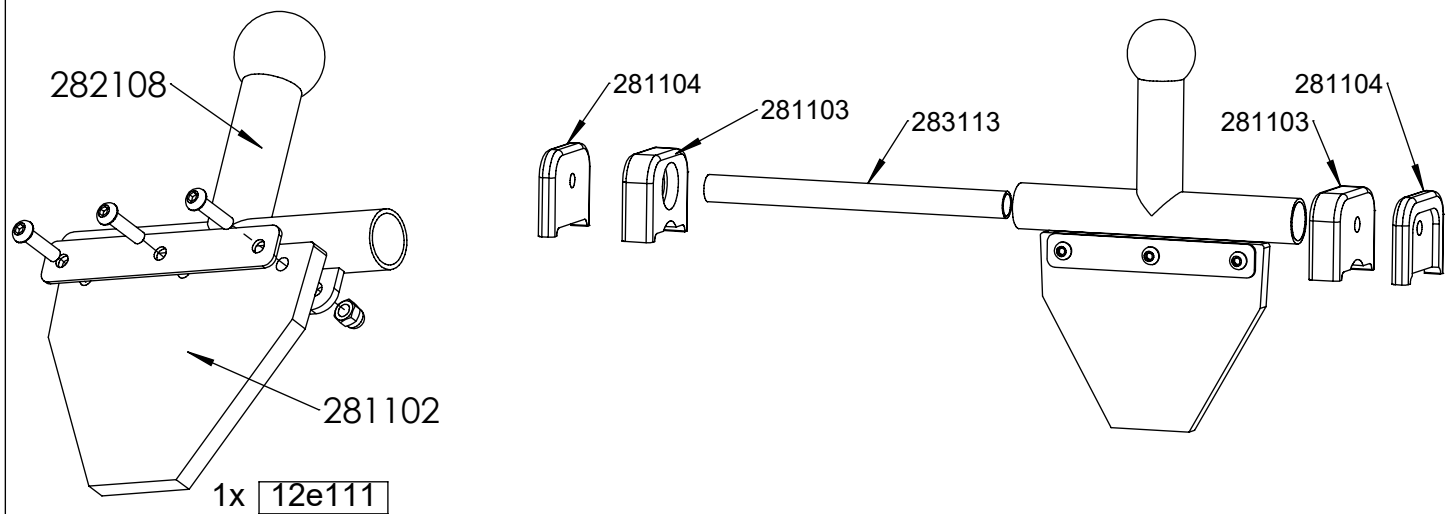


4x 281122



12x 8x25i

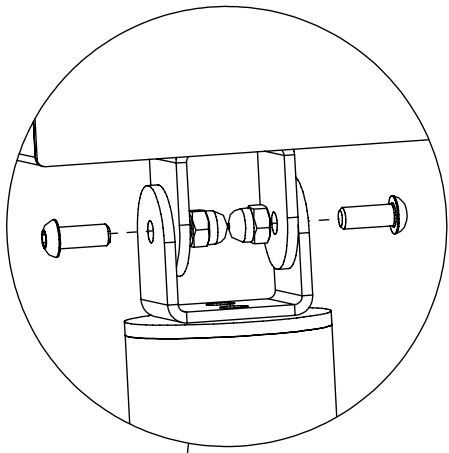
12x 8n



1x 12e112

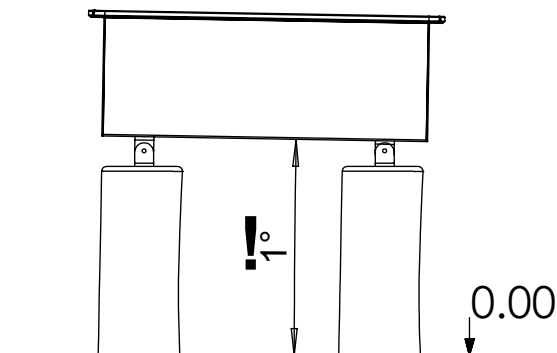
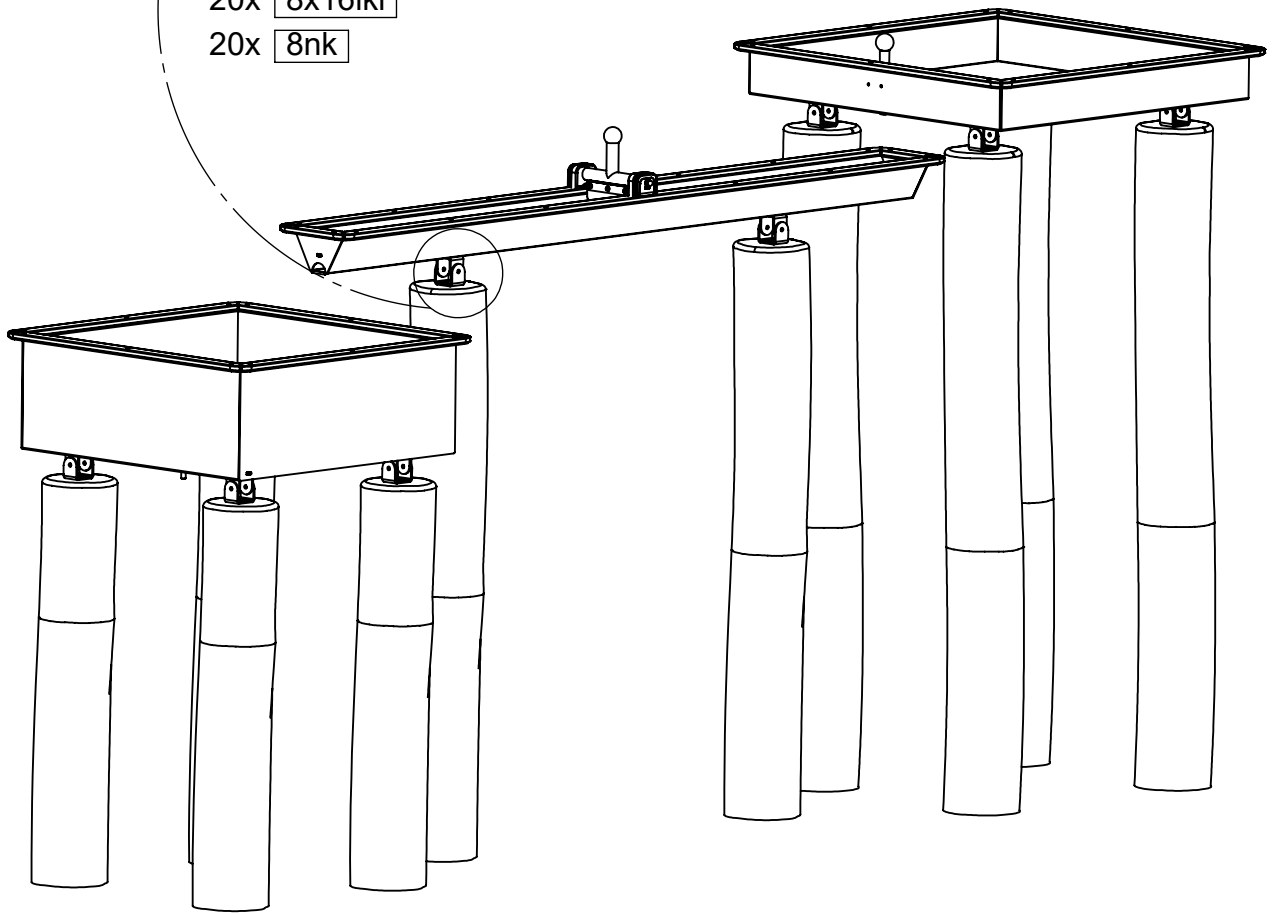
[cm]

vinci
play



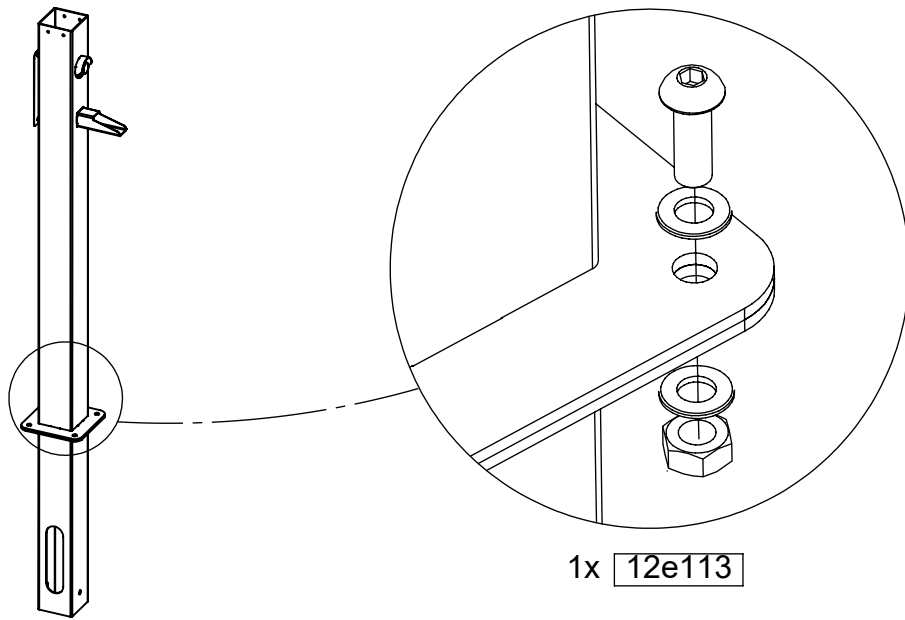
20x 8x16ikl

20x 8nk

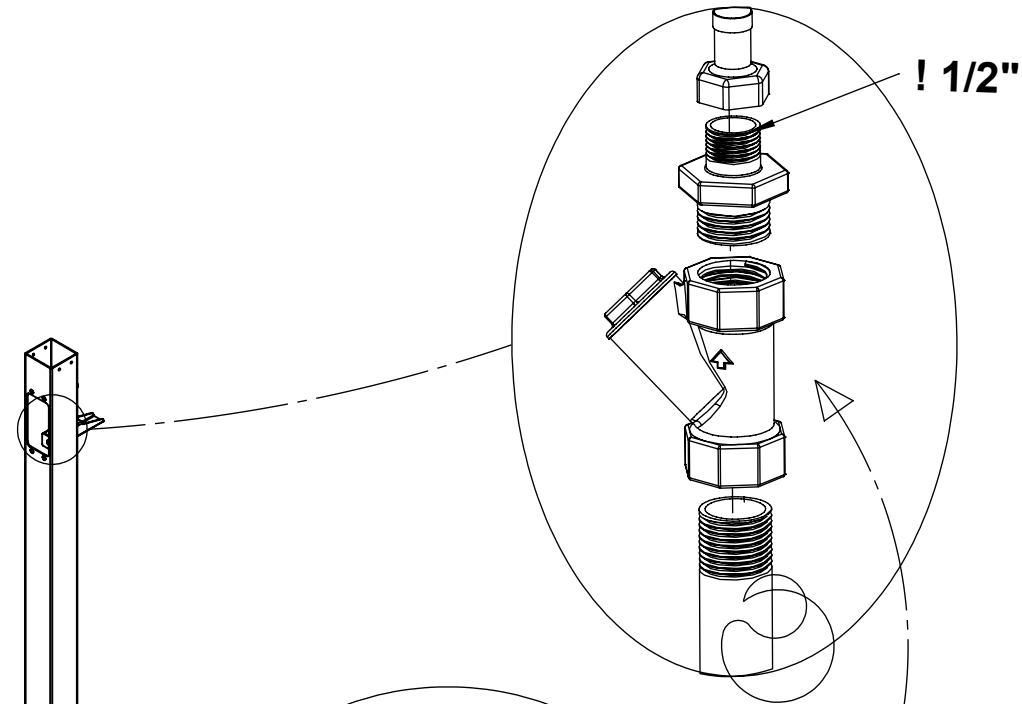


[cm]

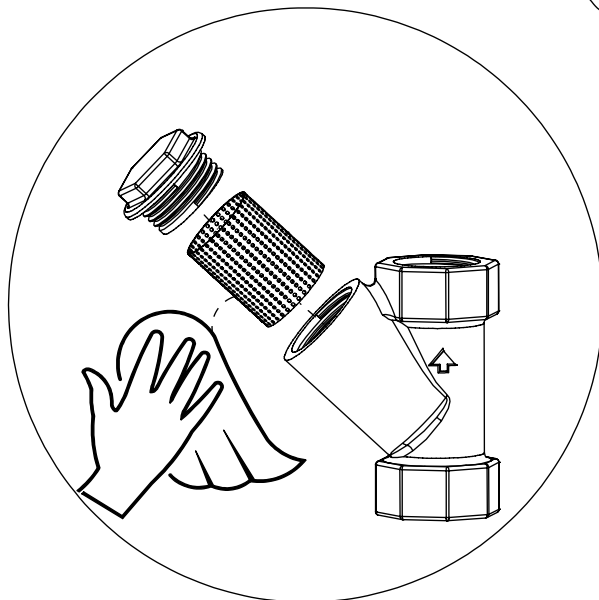
vinci
play



1x 12e113



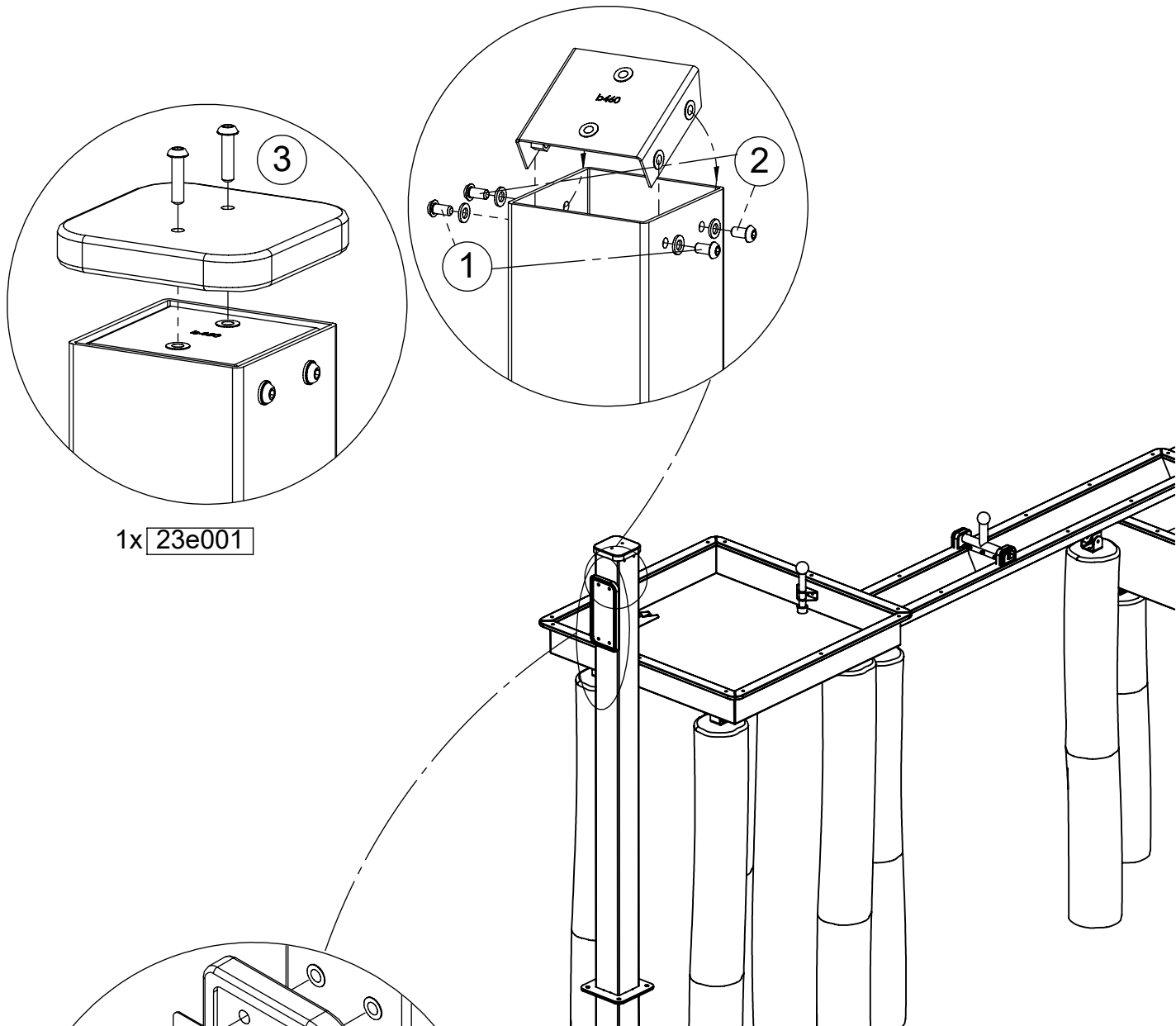
! 1/2"



NOT INCLUDED 

[cm]

vinci
play



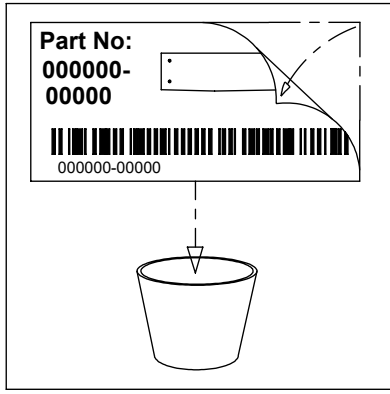
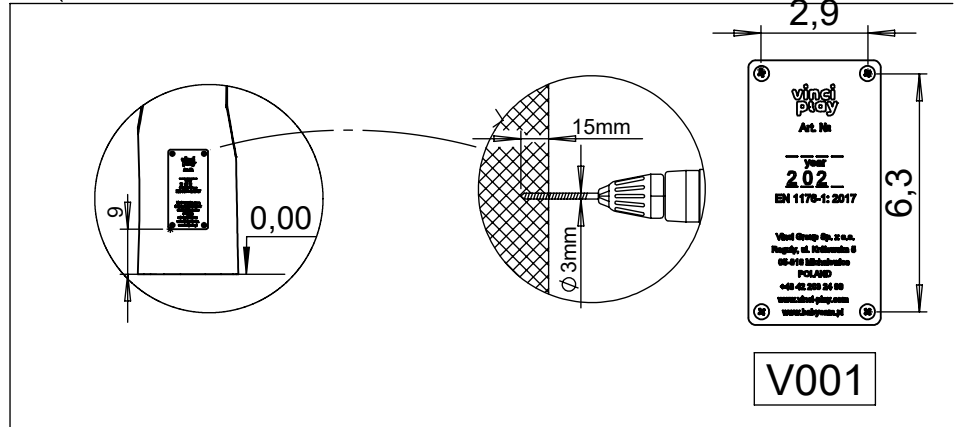
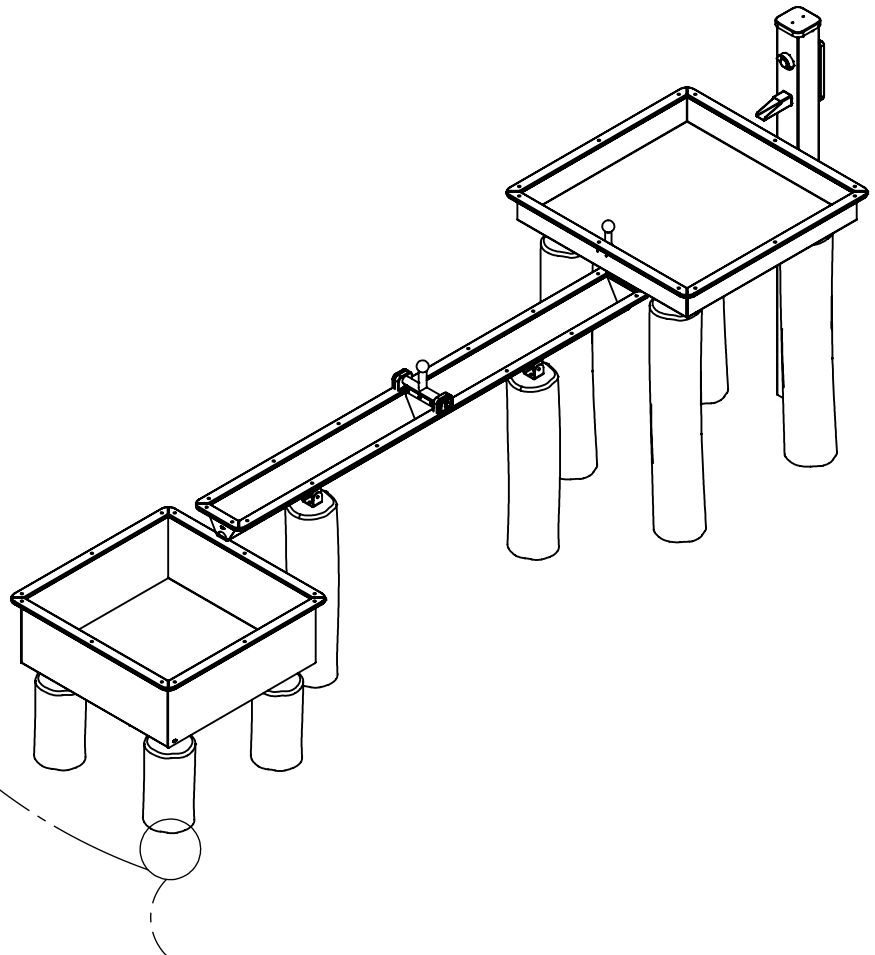
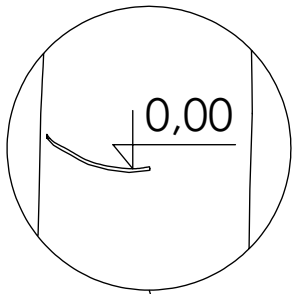
1x **23e001**

1x **23e003**

1x **286103**

[cm]

vinci
play



[cm]

vinci play