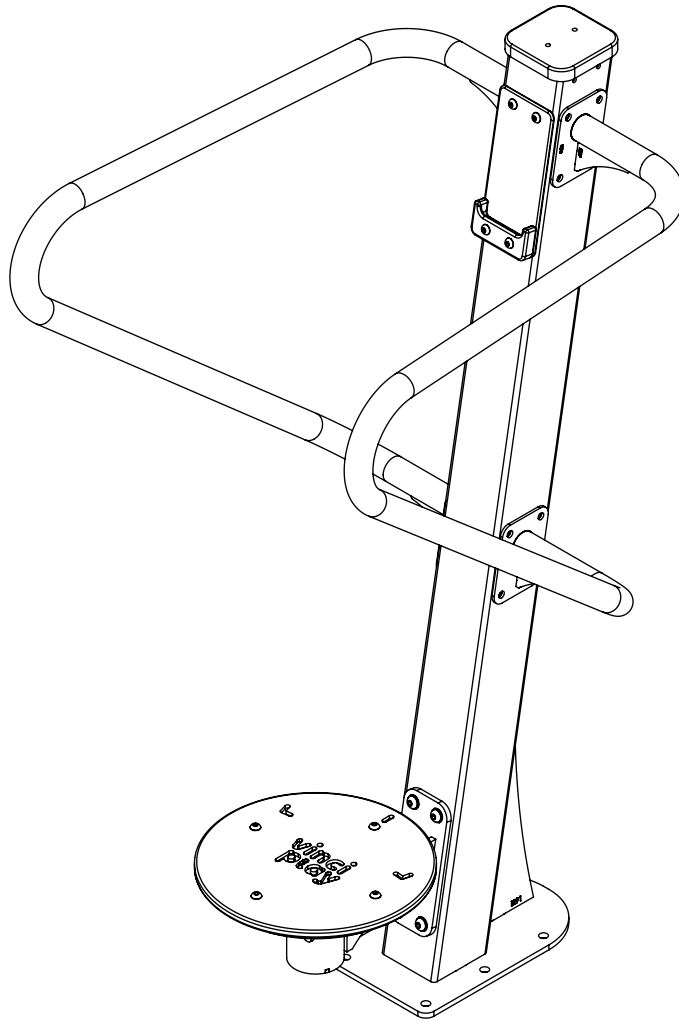
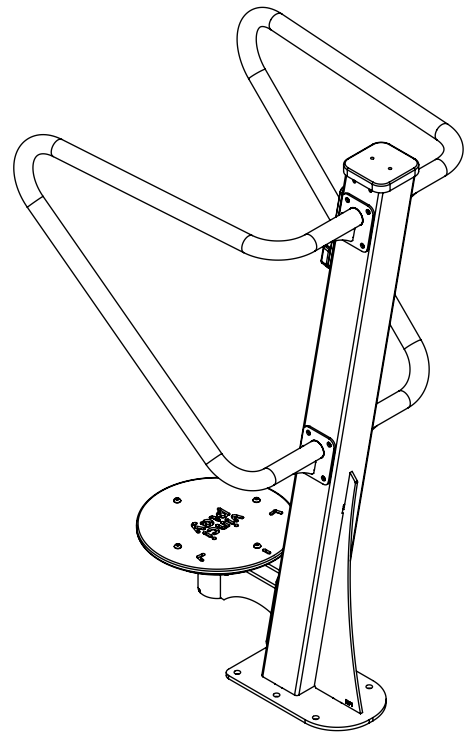
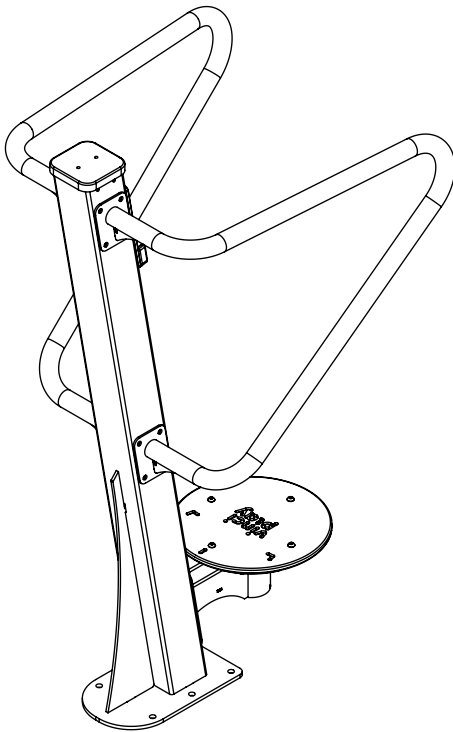
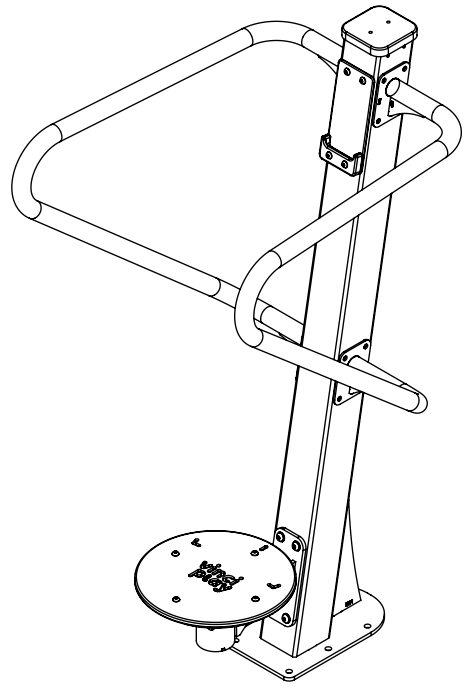
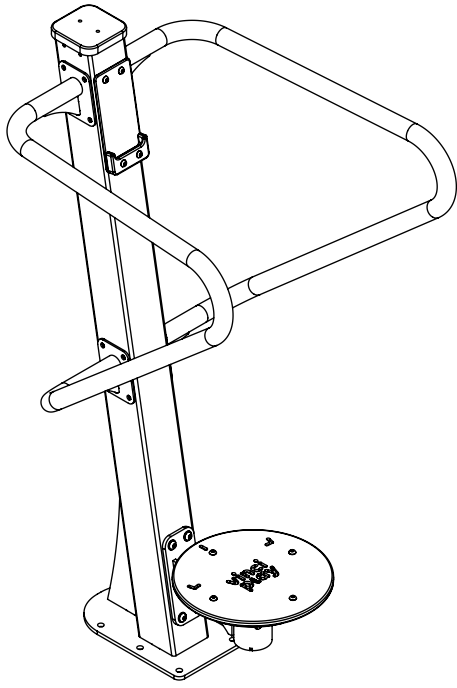


1108



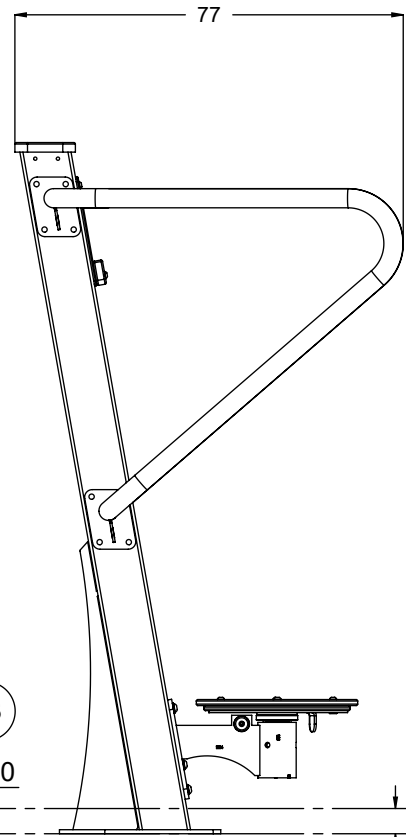
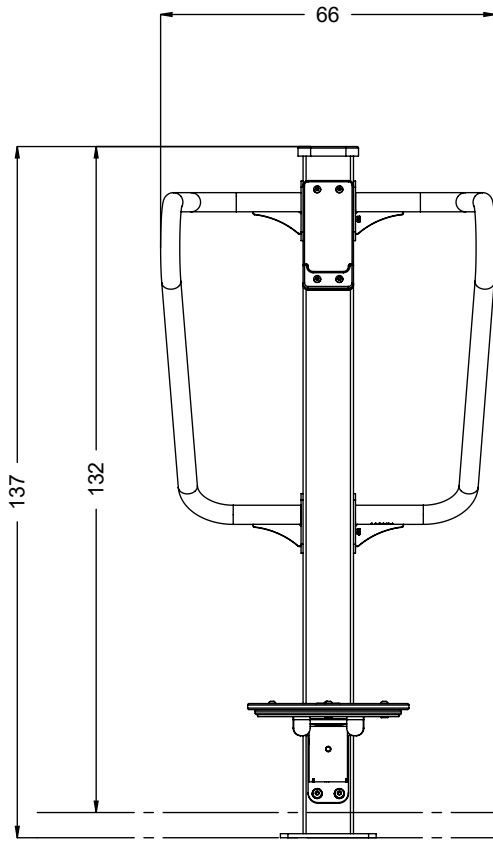
v011
23.03.2021
A. H.
[cm]

vinci
play



[cm]

vinci
play



K23

K4

0,00

K3

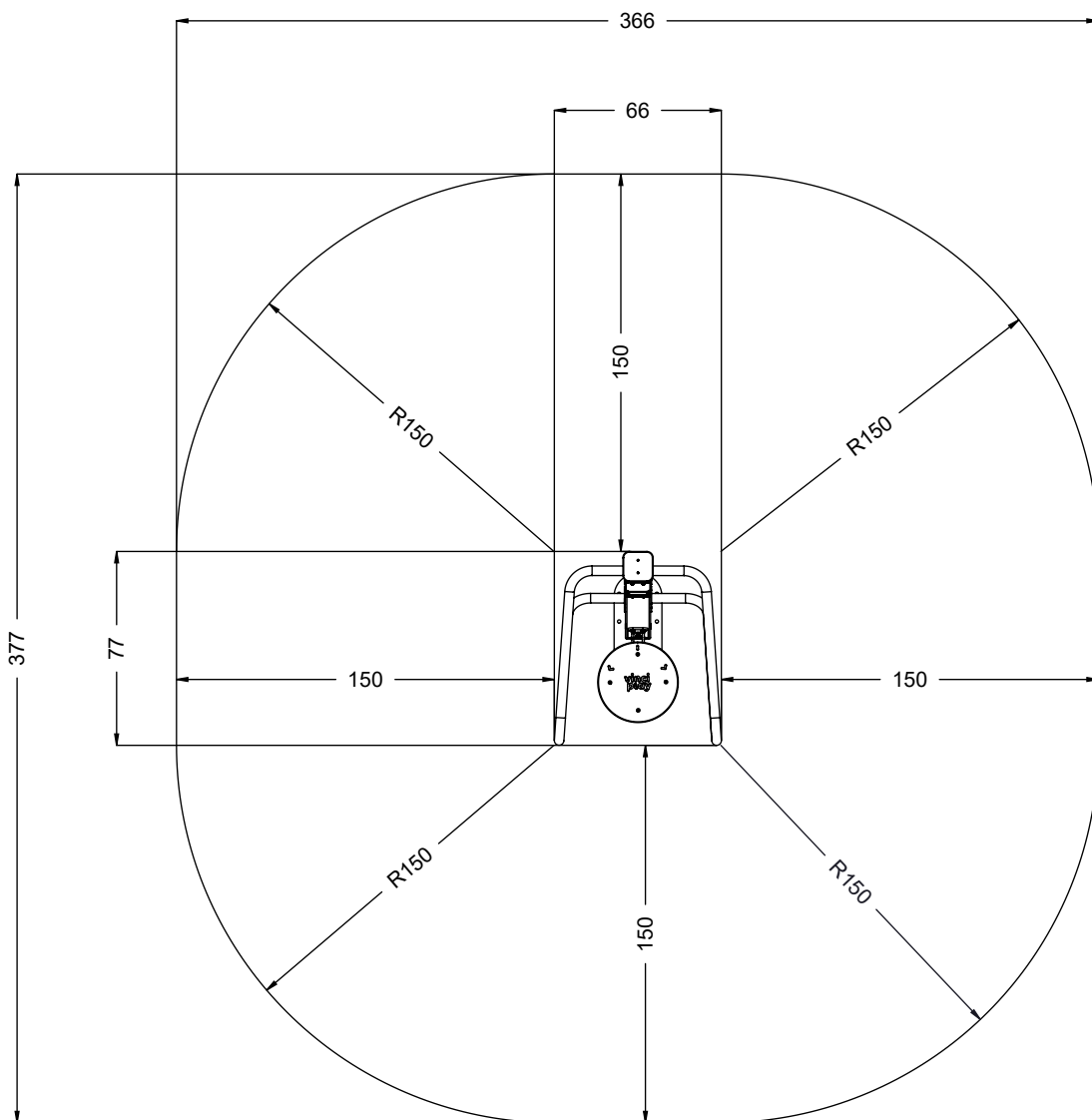
0,00

5

[cm]



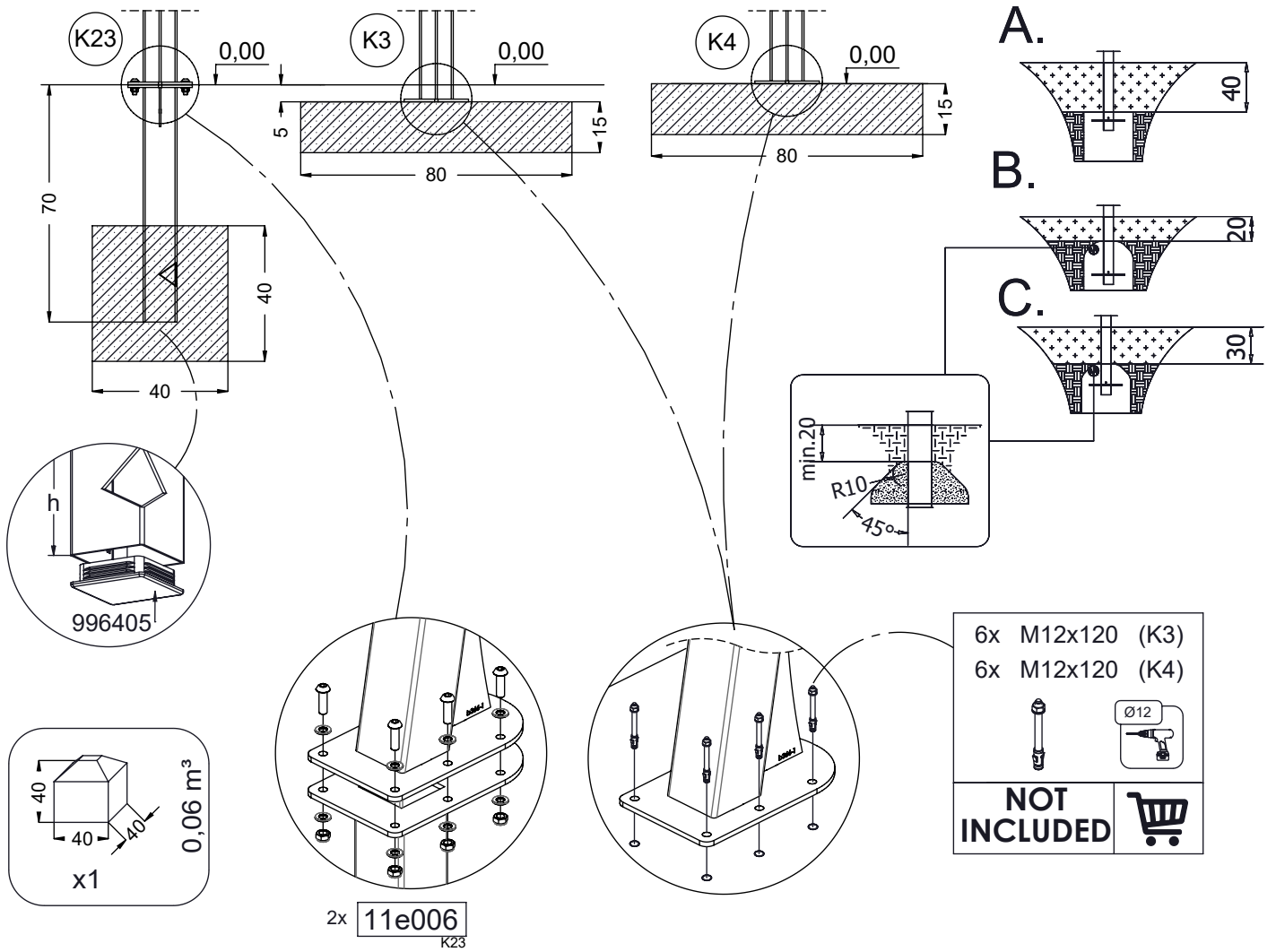
vinci
play



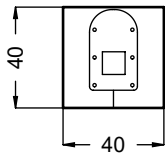
[cm]



vinci
play

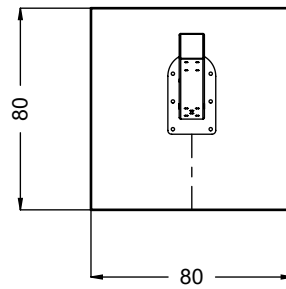


K23



K3

K4



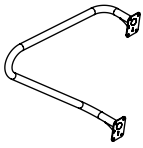
[cm]



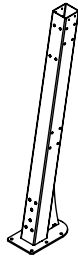
1h



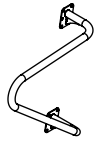
vinci
play



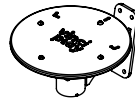
112175
112177 (inox)
x1



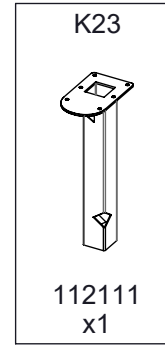
112140
112141 (inox)
x1



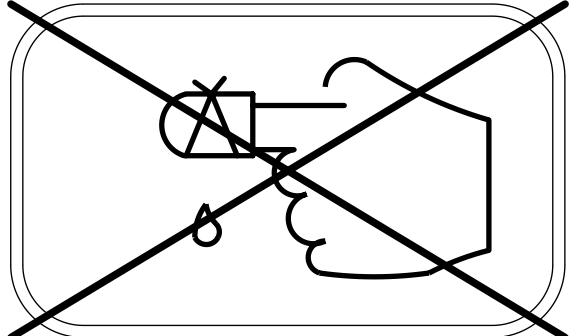
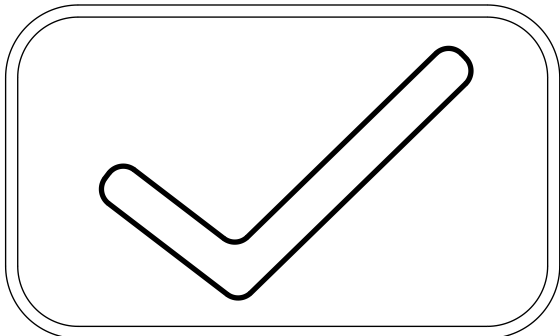
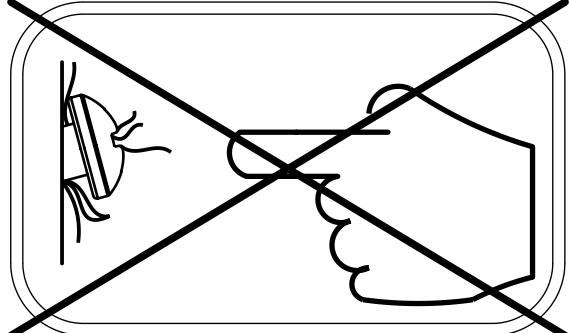
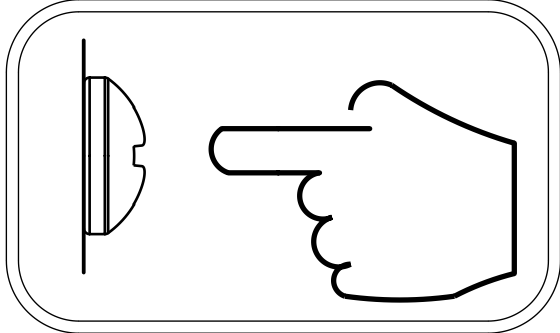
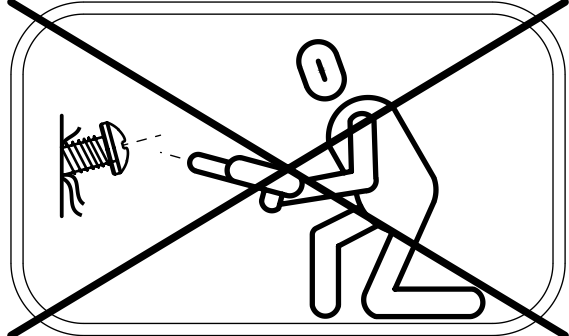
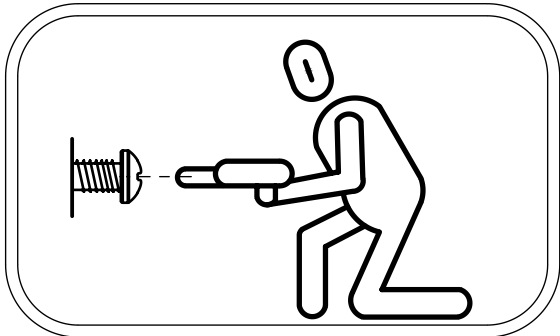
112176
112178 (inox)
x1

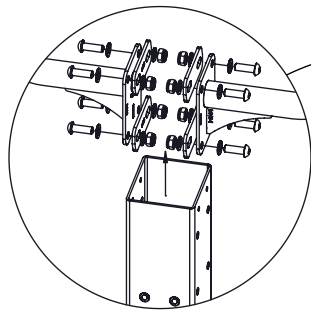


114132
114131 (inox)
x1

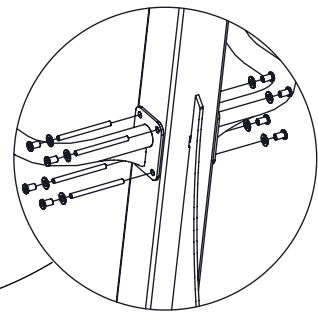
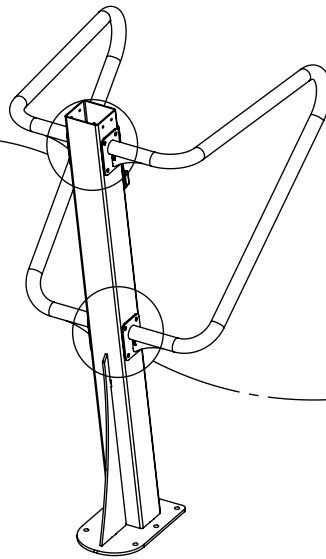


ST/INOX	
1x	11e006 (K23)
1x	11e001
1x	11e002
2x	11e004
1x	11e005
1x	11e016
1x	116108
1x	996405

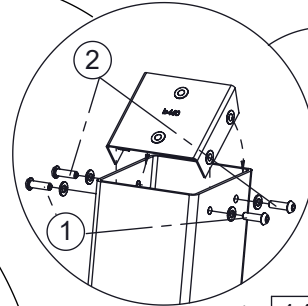
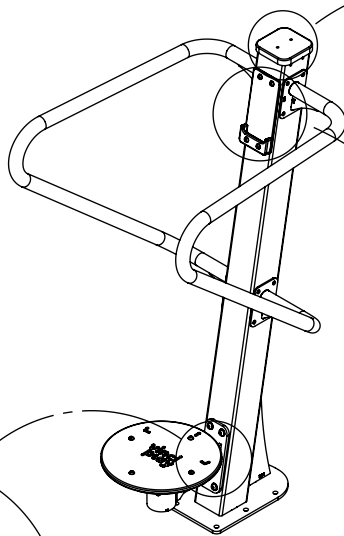




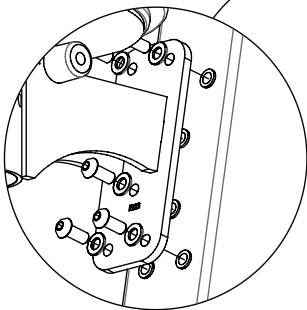
2x 11e004



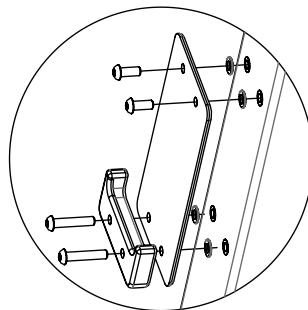
1x 11e005



1x 11e001

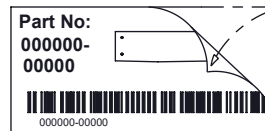


1x 11e016



1x 11e002

1x 116108



[cm]



vinci
play