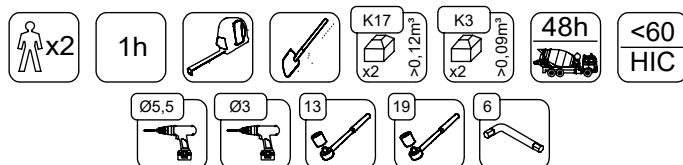
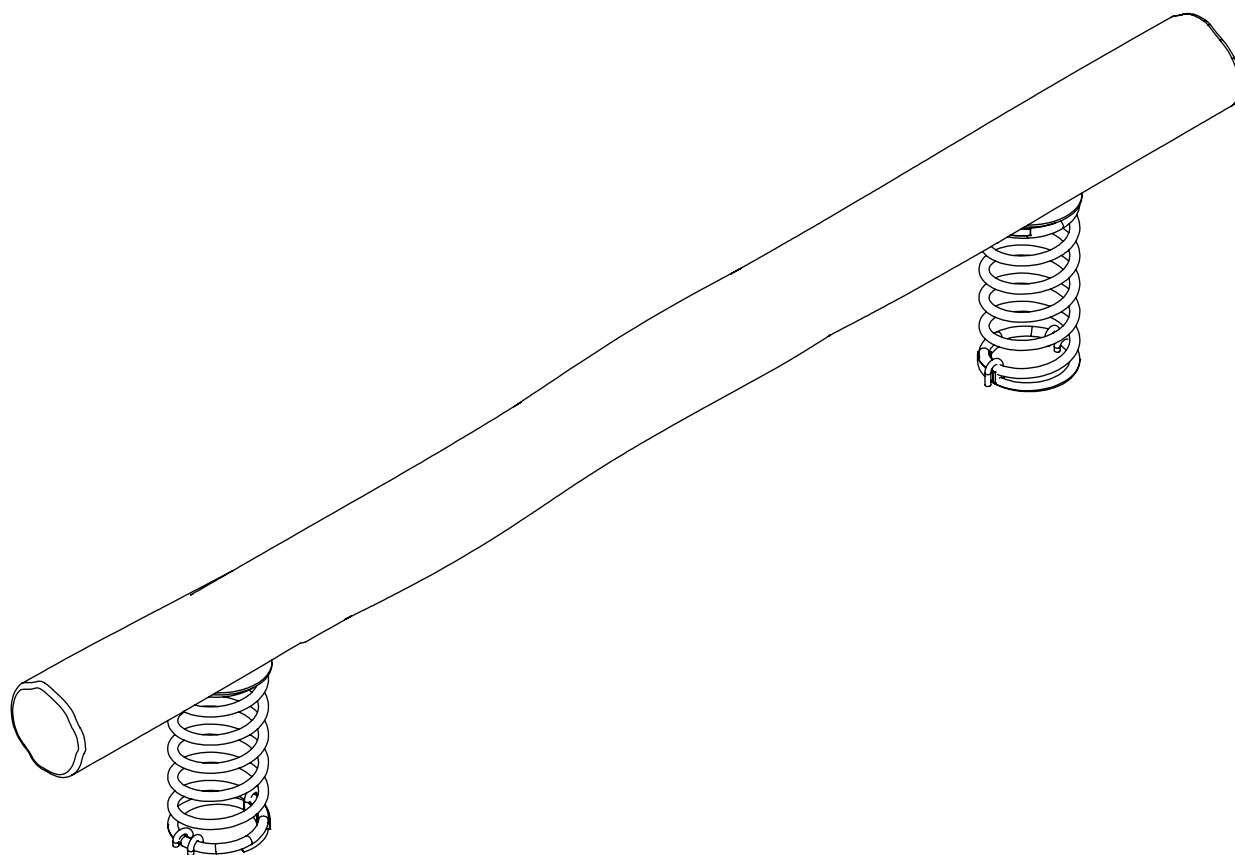
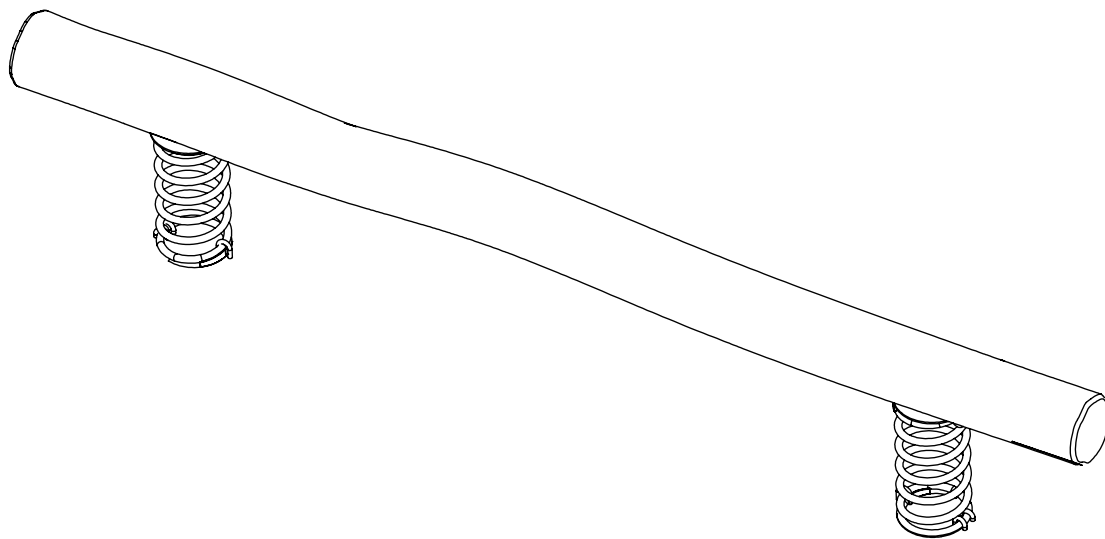
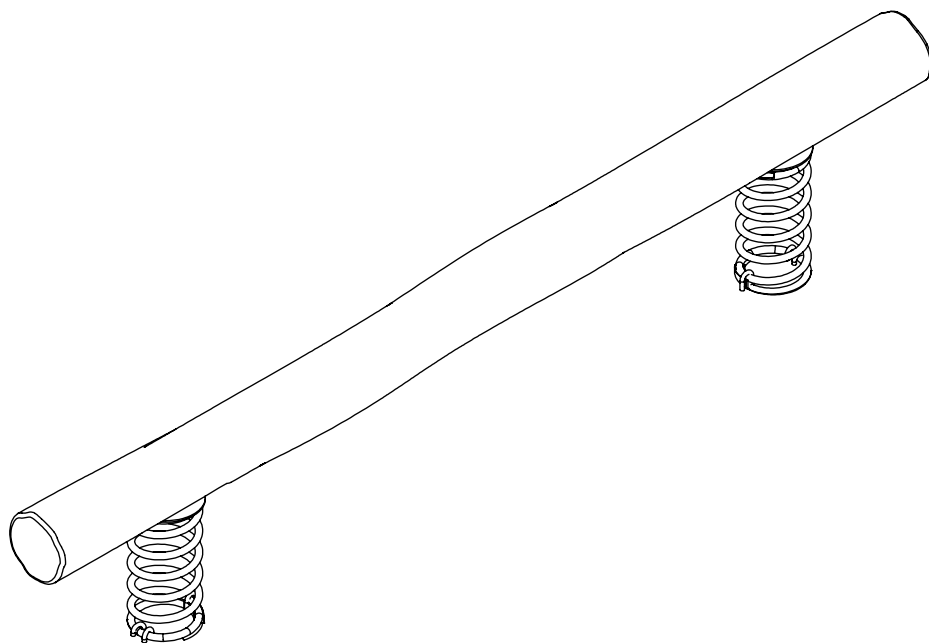


RB1365



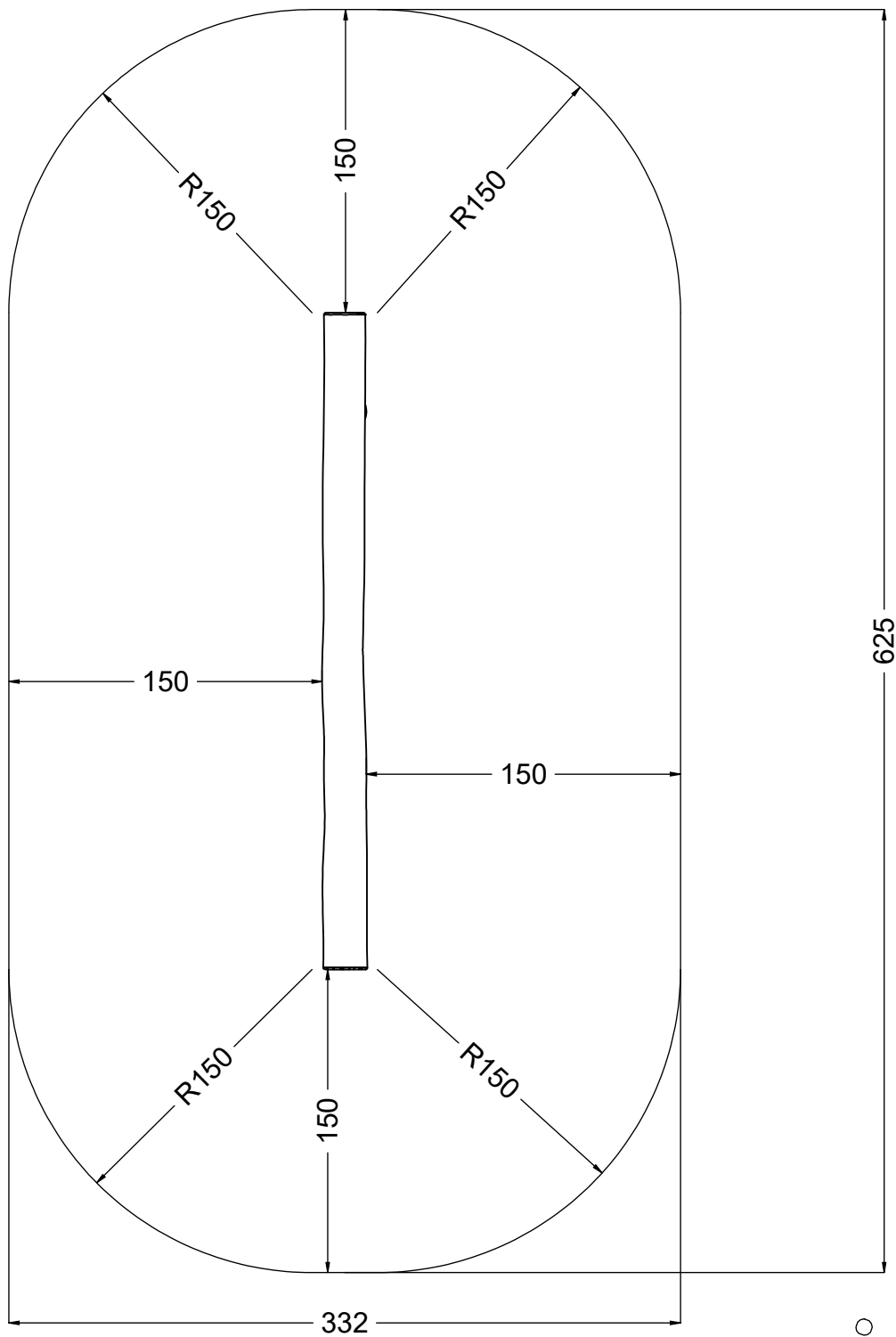
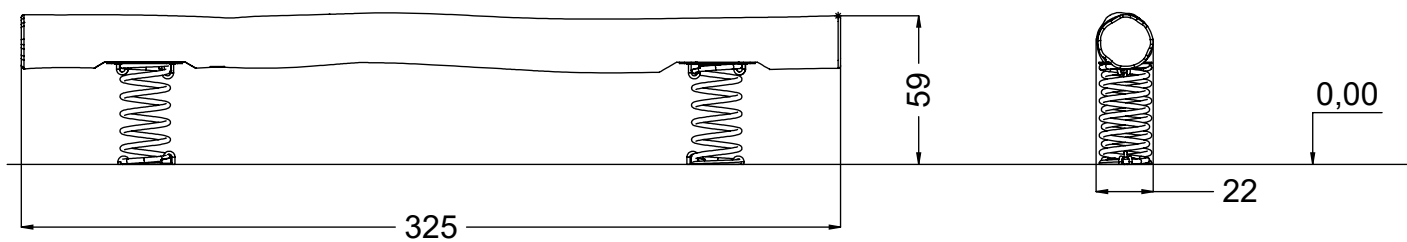
v010
30.10.2020
A. P.
[cm]

vinci
play



[cm]

vinci
play

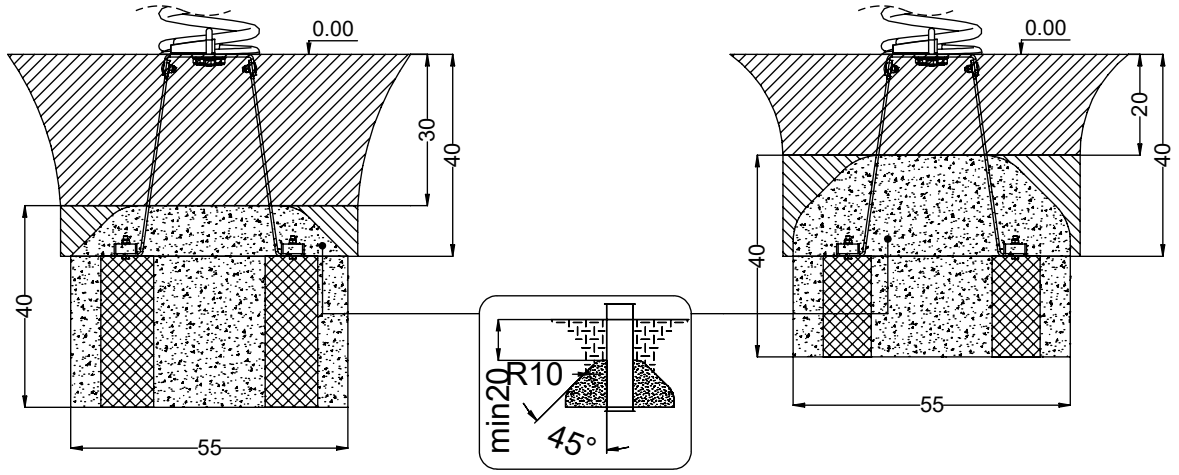


[cm]






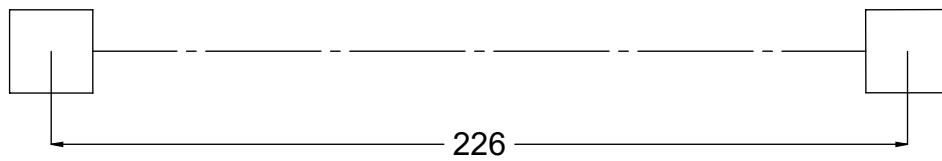
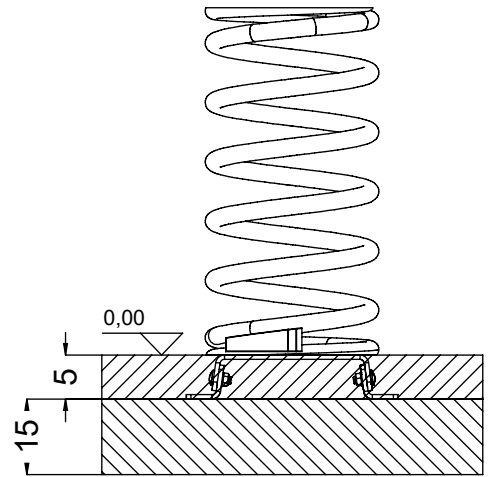
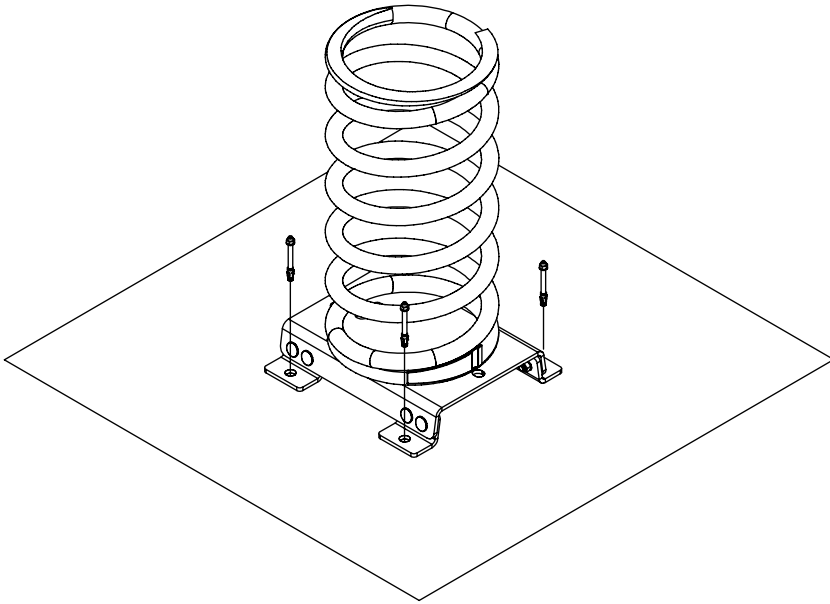
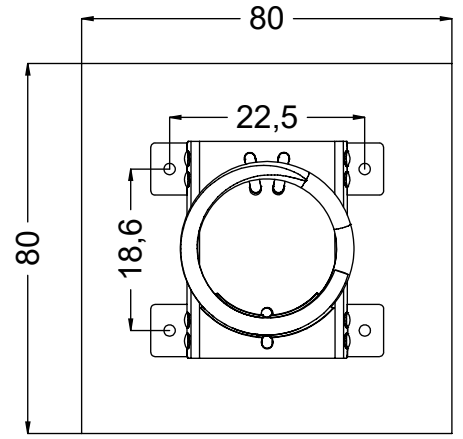
vinci
play

K17



K3

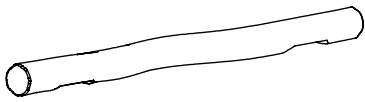
	K3
M10x120 x8	 Ø10
NOT INCLUDED	



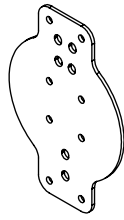
[cm]

 x2	1h			 K17 x2 >0,12m ²	 48h	 K3 x2 >0,09m ²
--	-----------	---	---	---	--	---

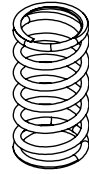
vinci
play



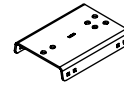
127301
x1



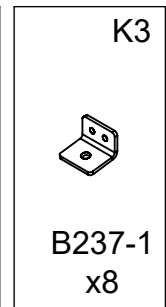
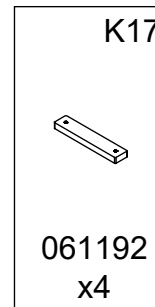
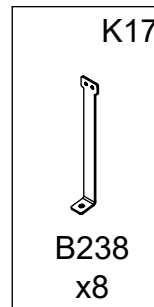
B393
x2



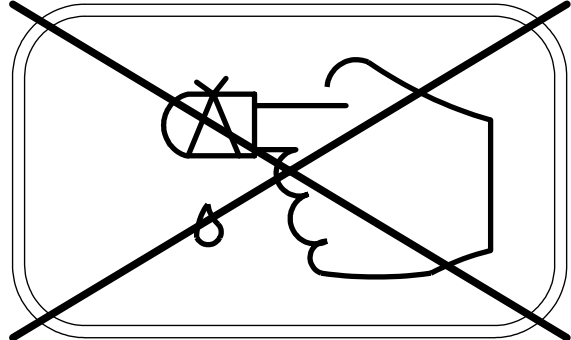
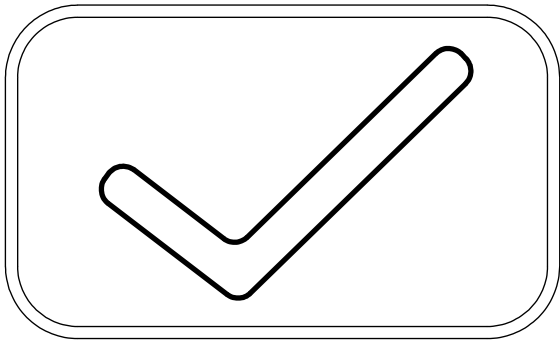
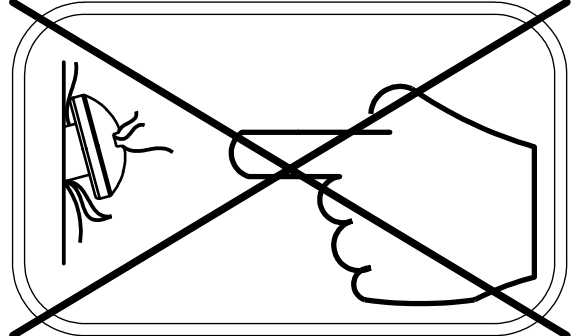
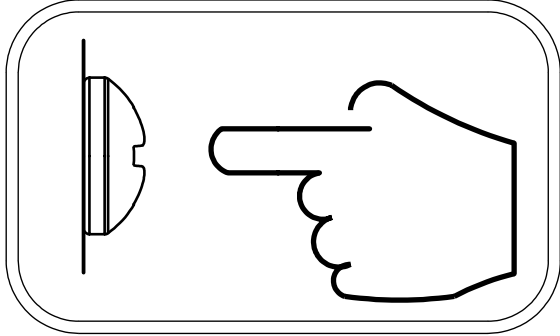
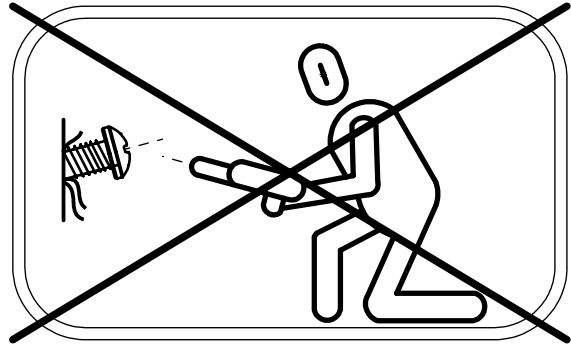
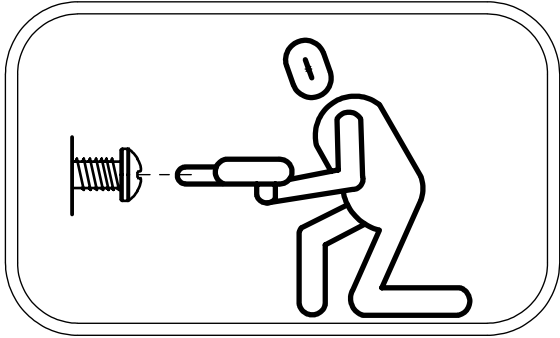
996171
x2



B239
x2

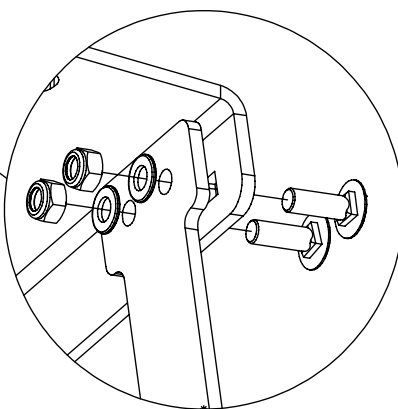
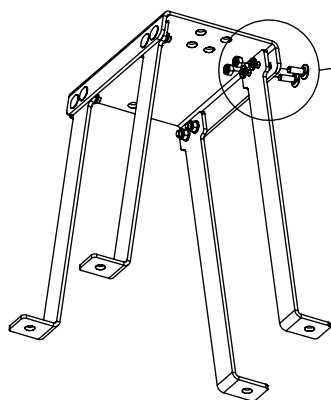


2x	SP3 _(K17)
2x	SP1
2x	SP2
2x	SP25
16x	8x50 sxi
1x	V001

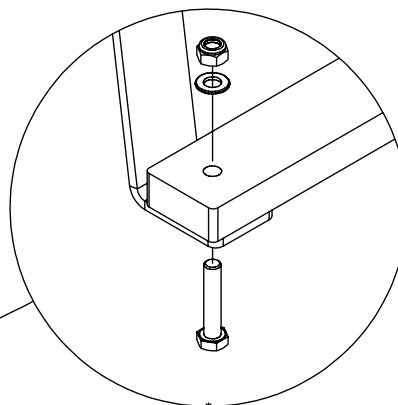
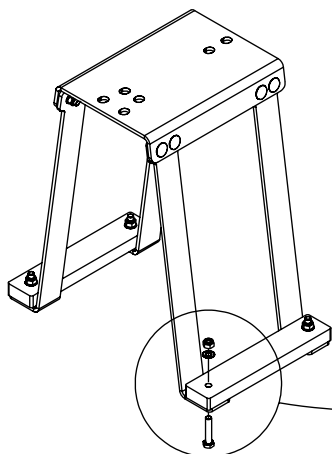


K17

2x



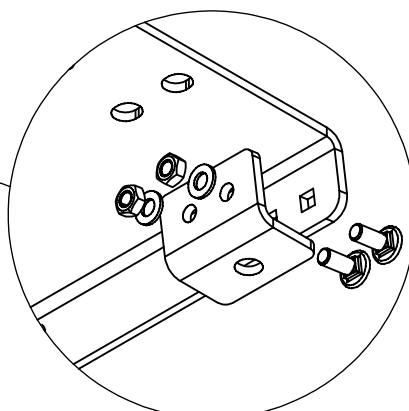
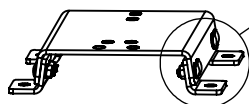
SP1 x1



SP3 x1

K3

2x



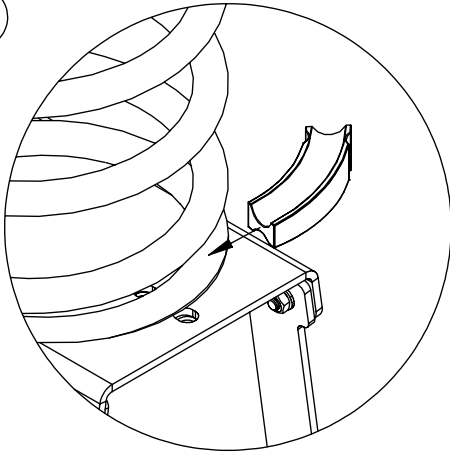
SP1 x1

[cm]

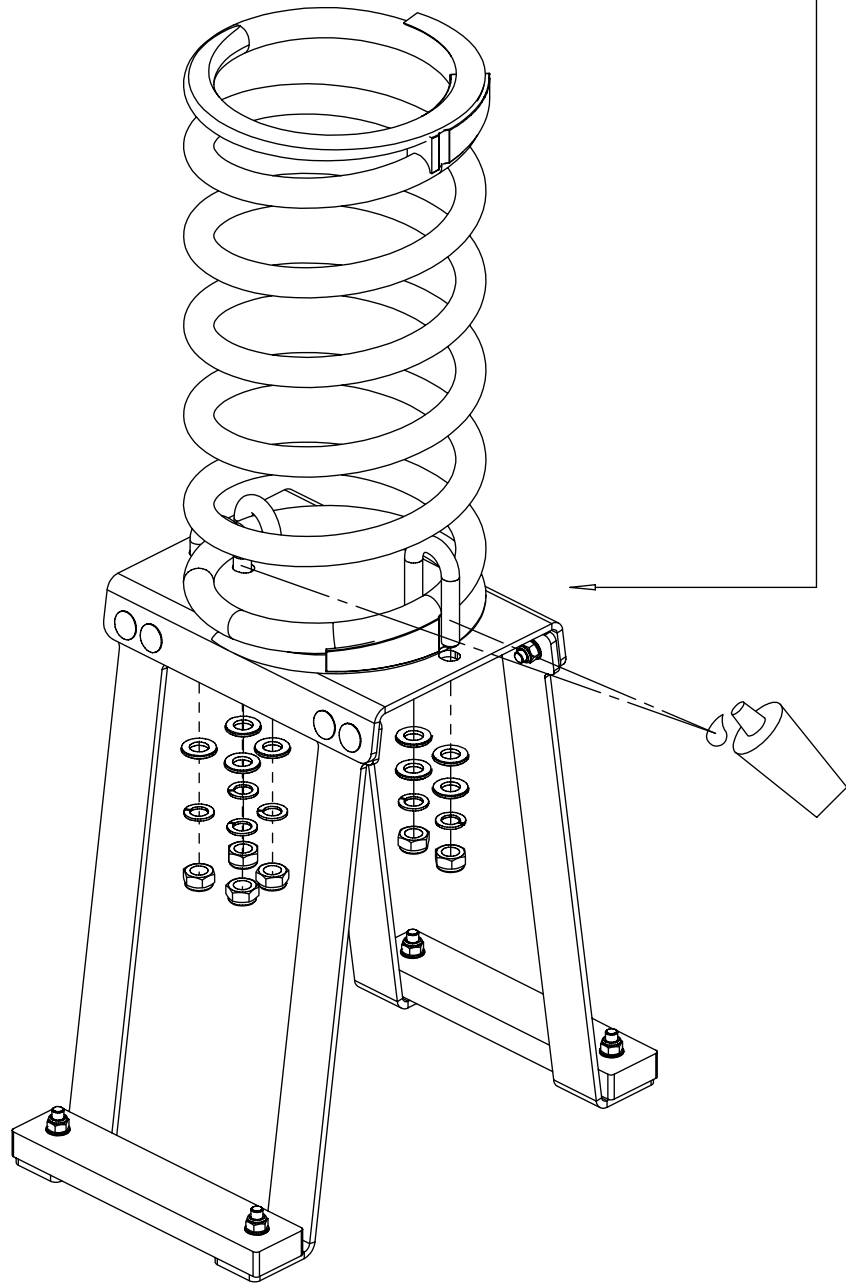
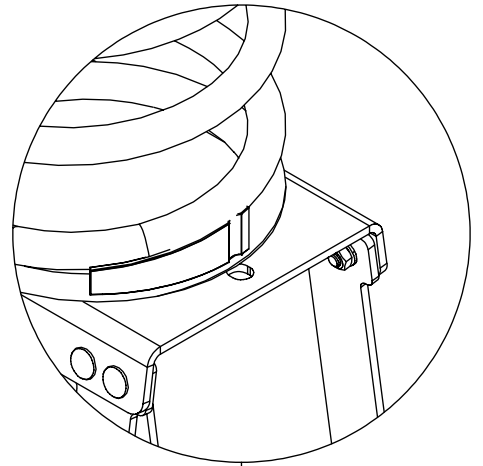


vinci
play

2x



SP2 x1

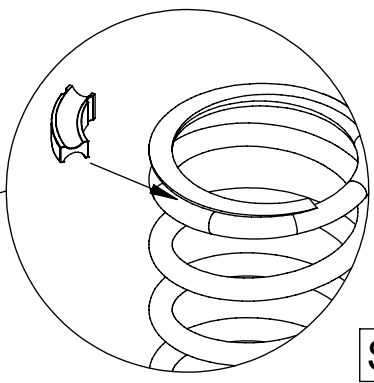
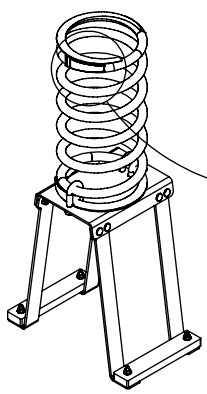


[cm]

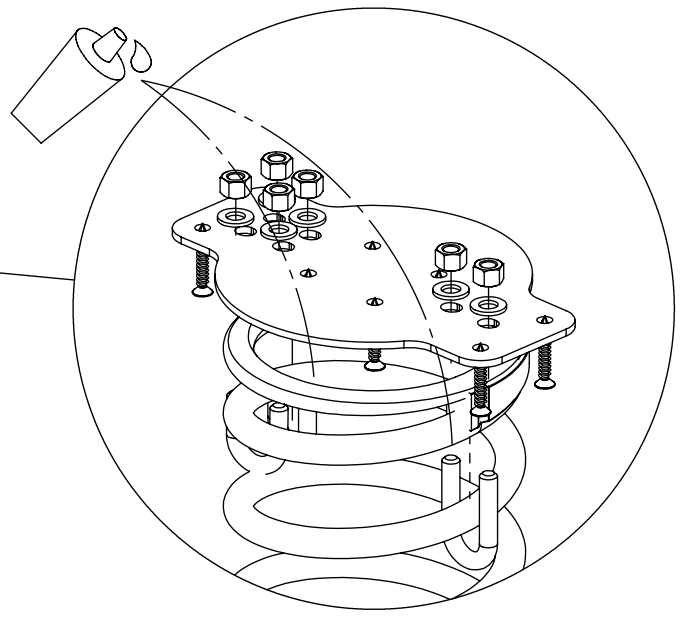
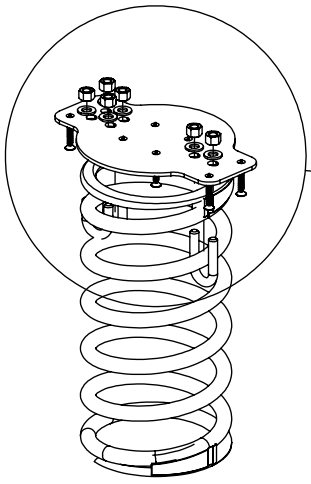
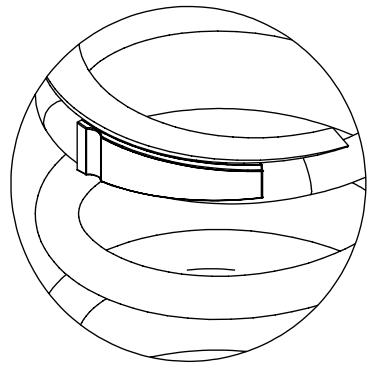


vinci
play

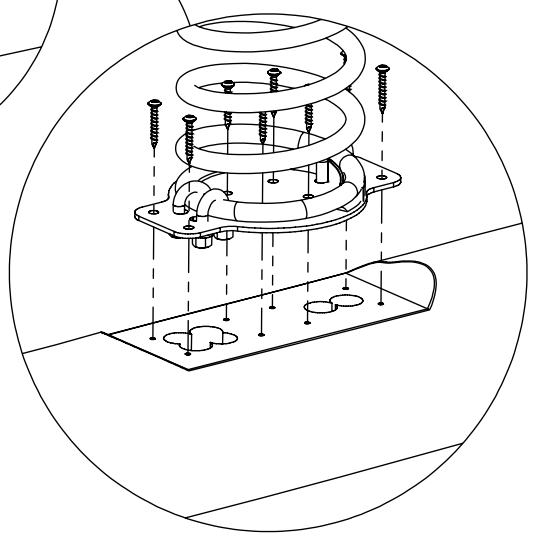
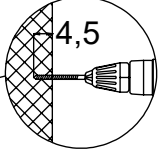
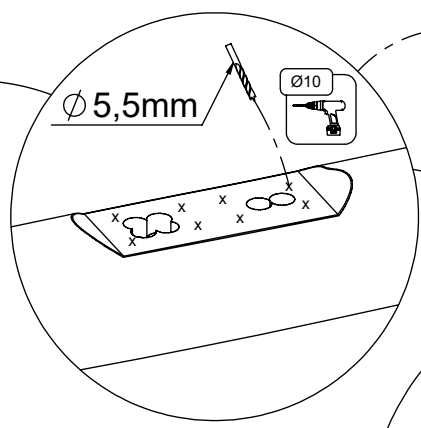
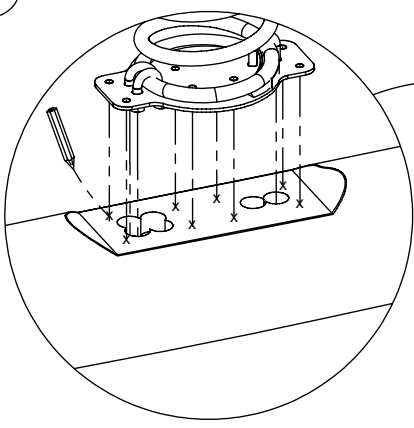
2x



SP25 x1



2x



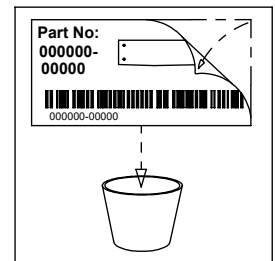
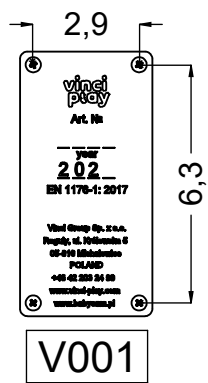
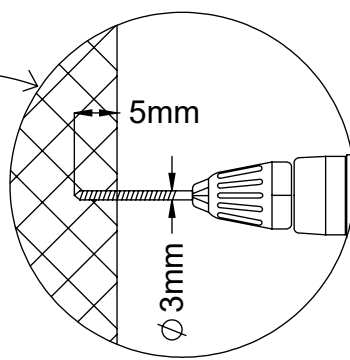
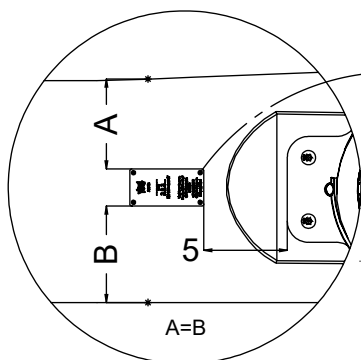
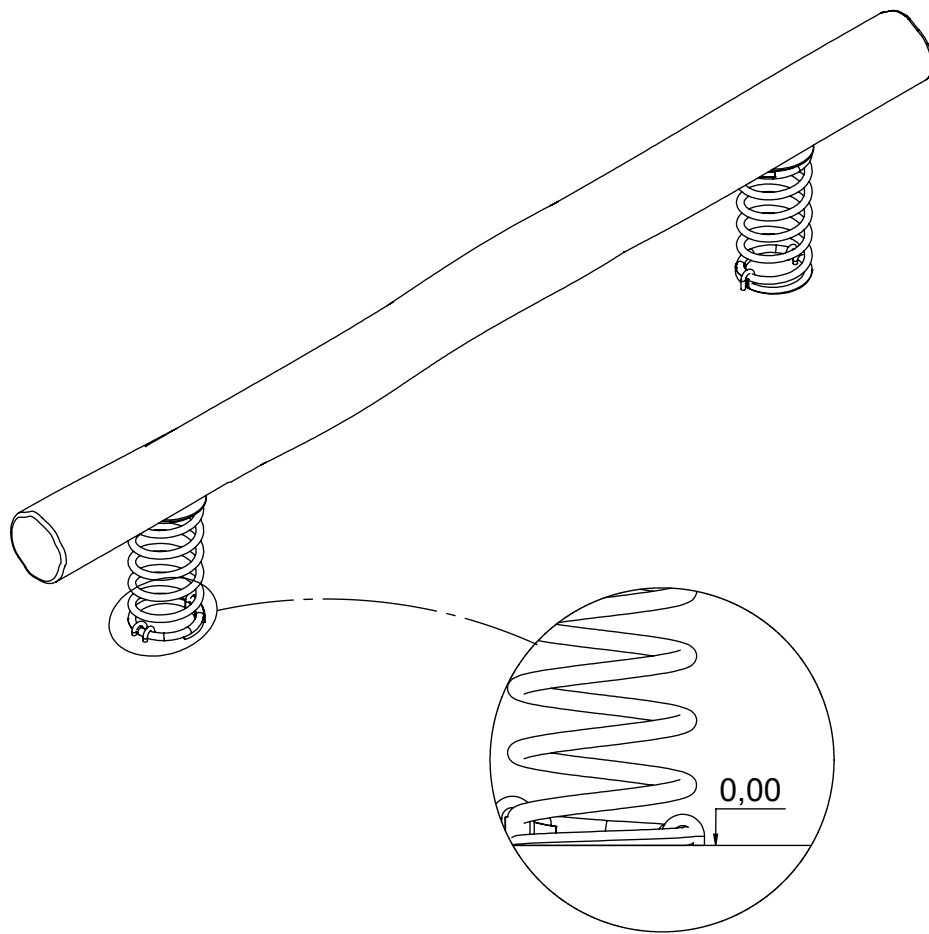
8x 8x50sxi

[cm]

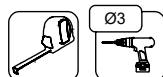


19

vinci play



[cm]



vinci
play