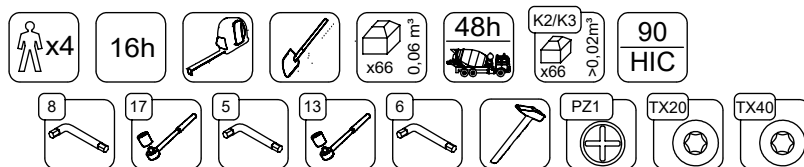
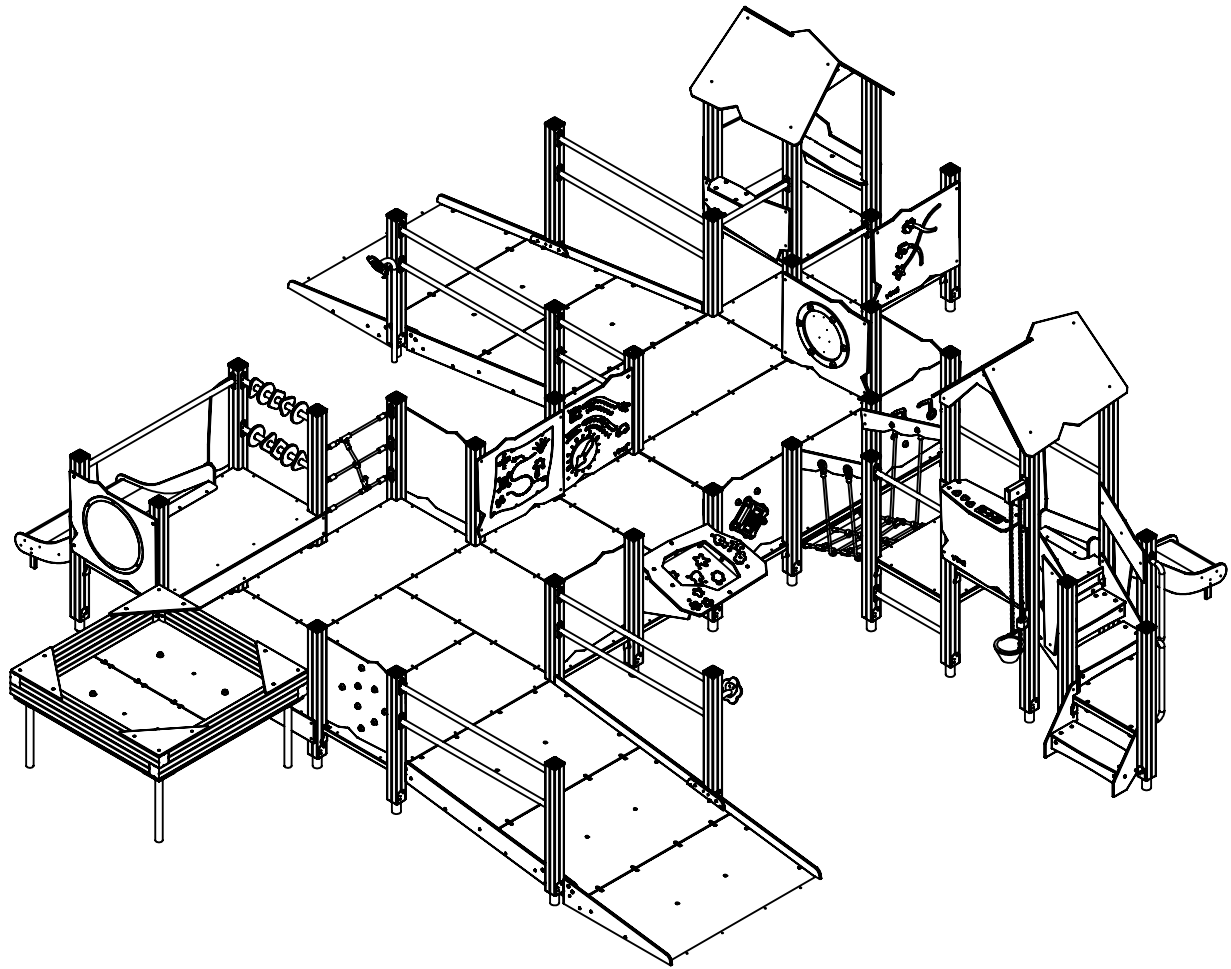
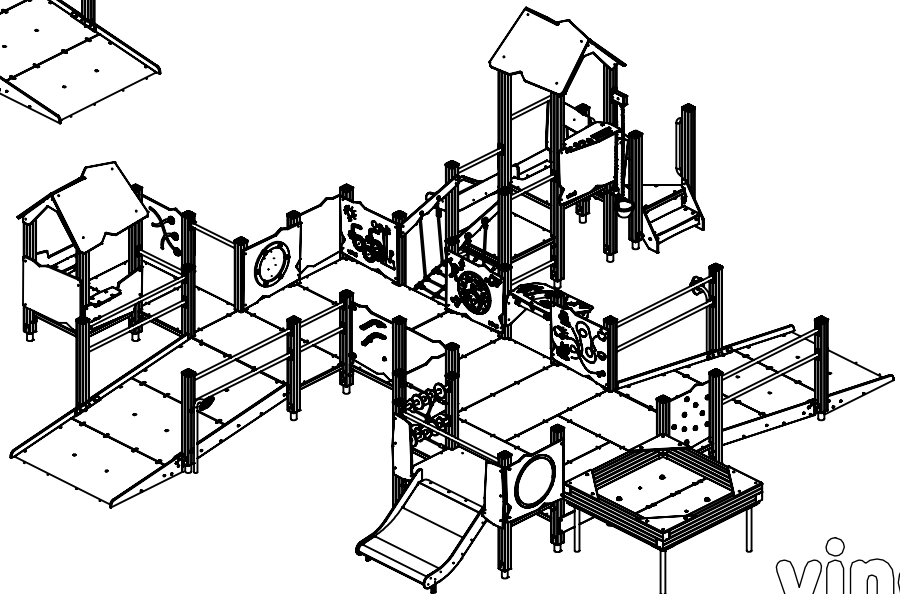
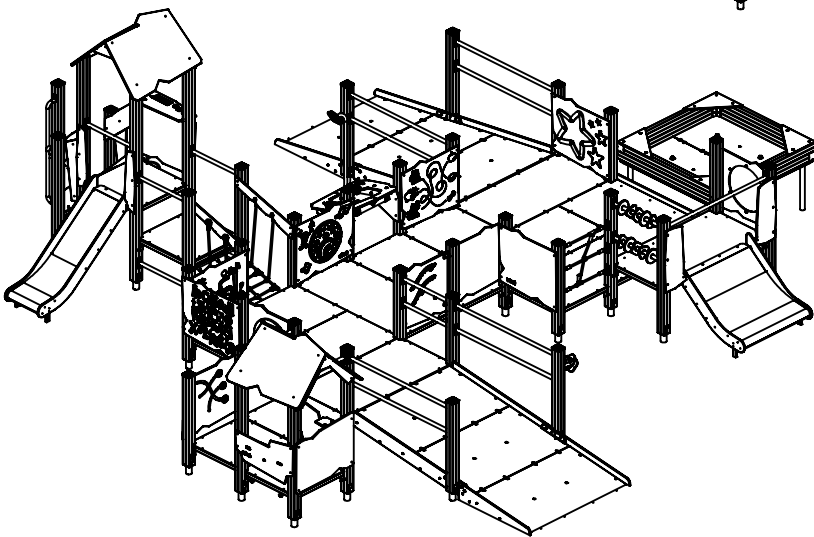
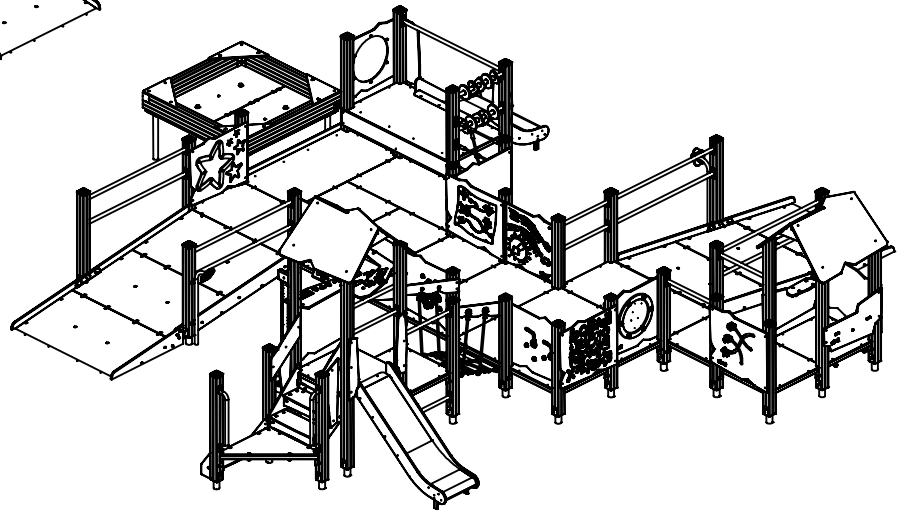
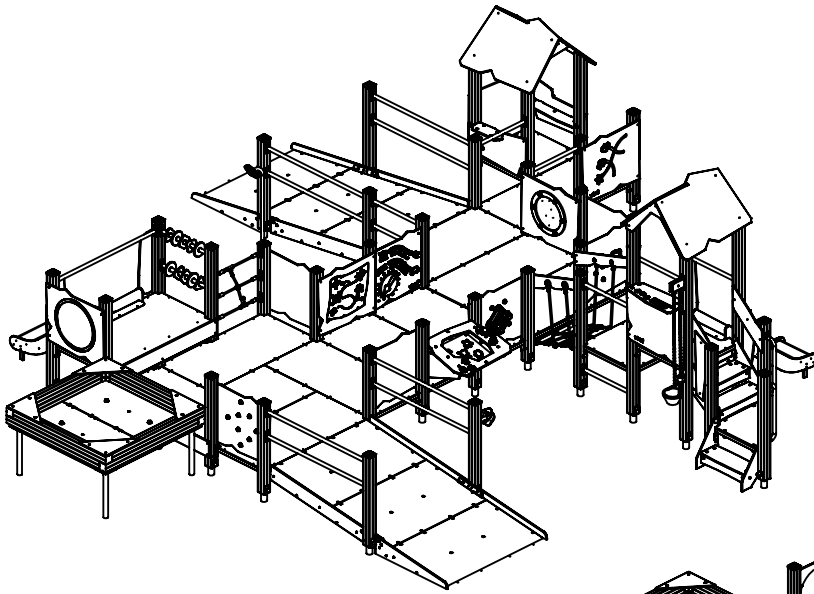


WD1506



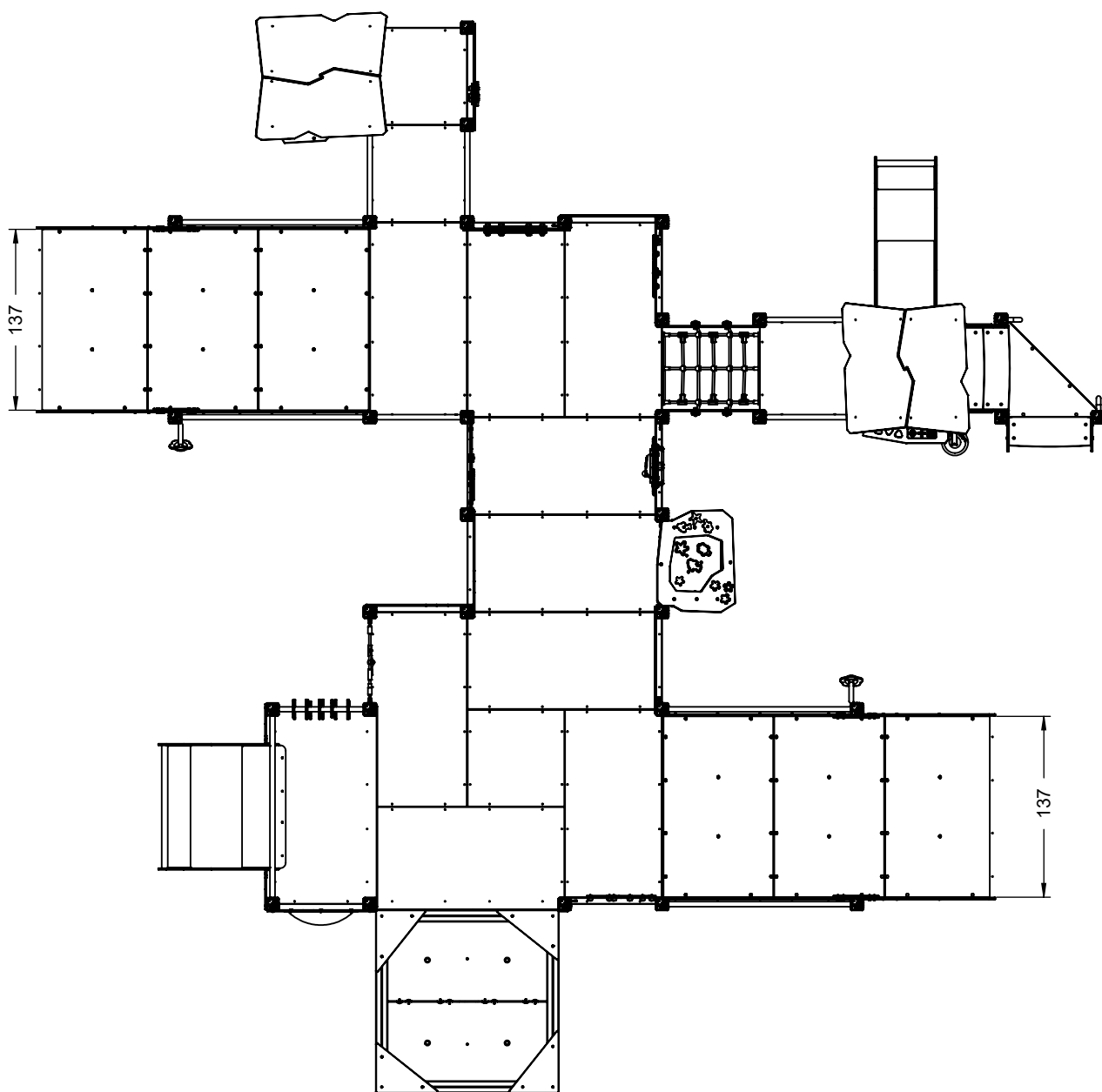
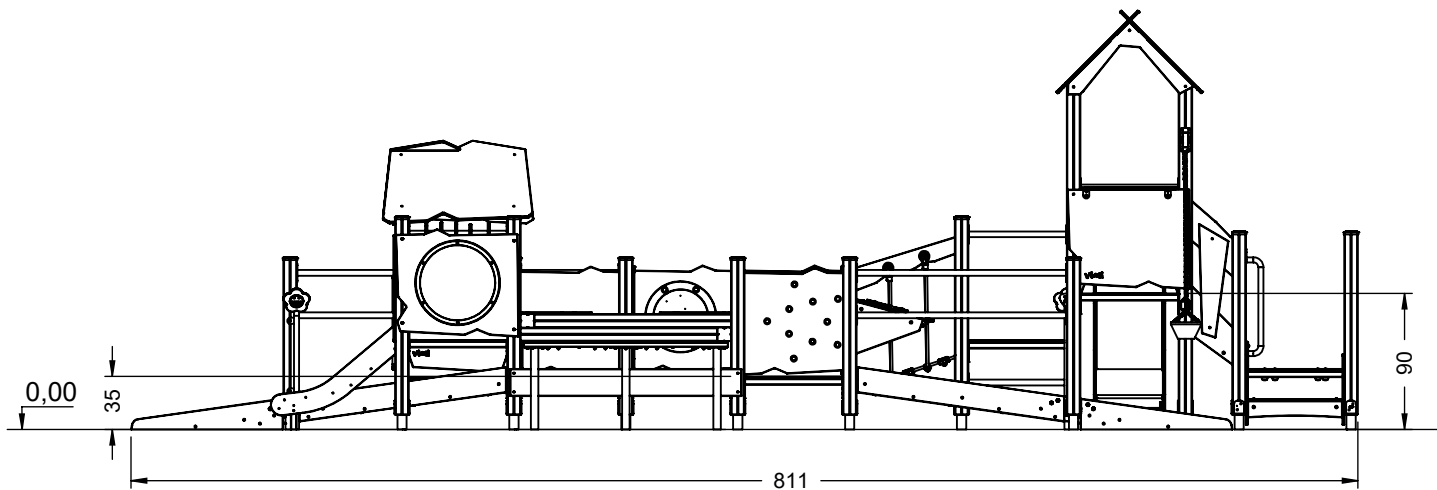
v012
26.10.2021
D. P.
[cm]

vinci
play



[cm]

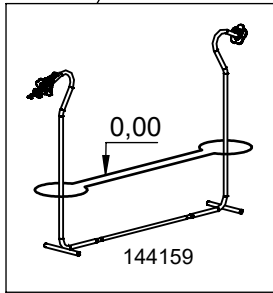
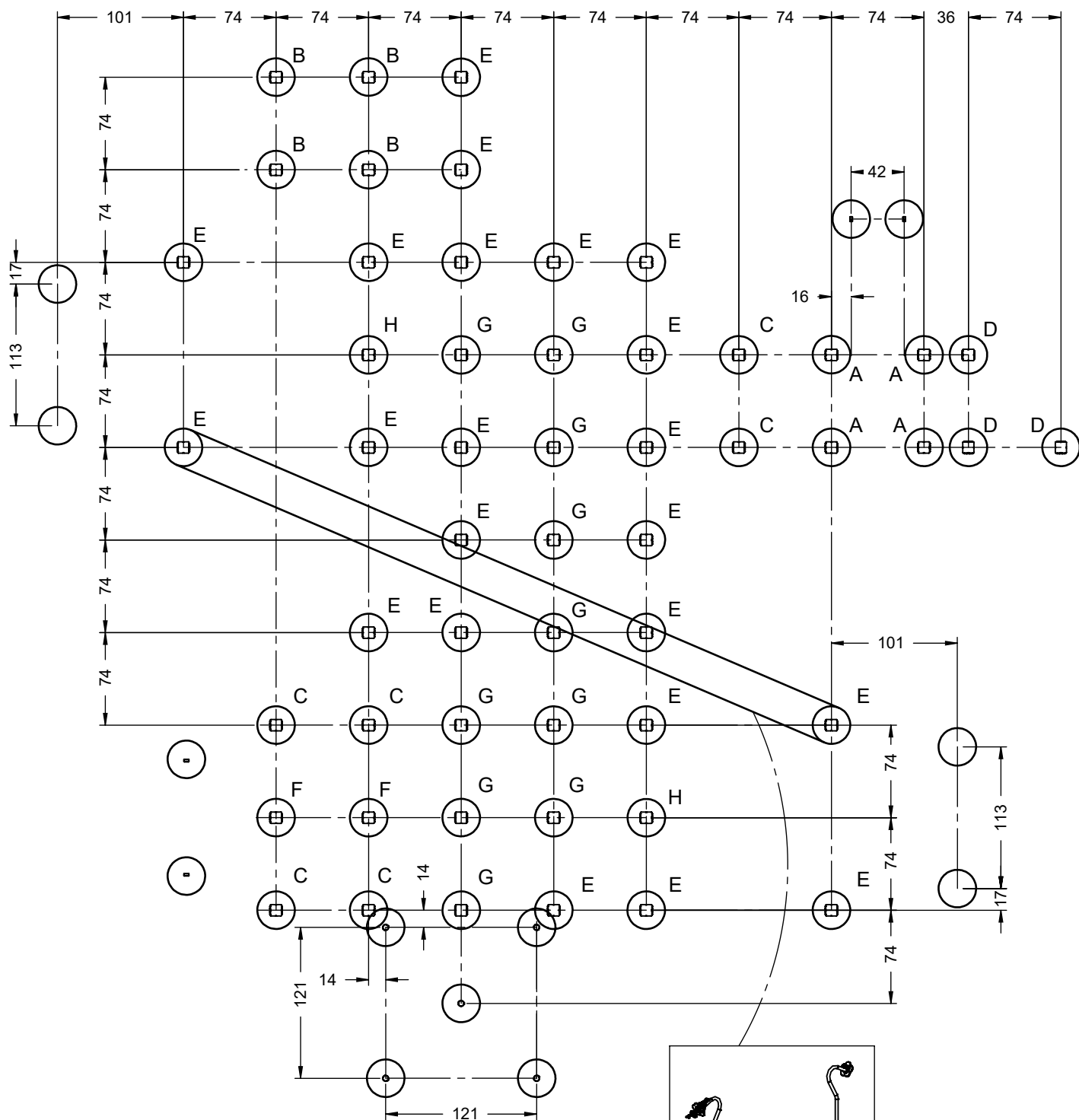
vinci
play



[cm]

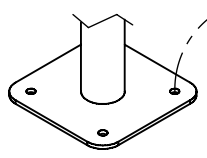
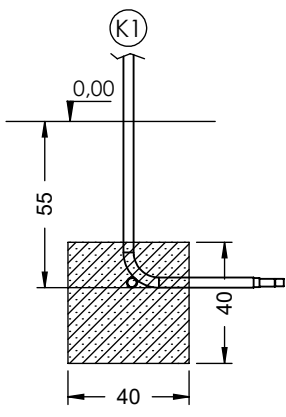
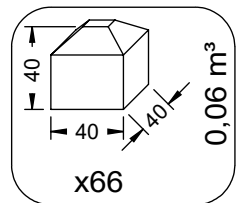
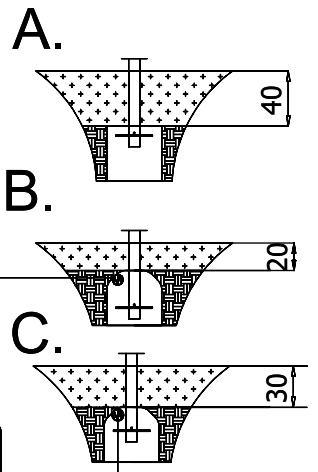
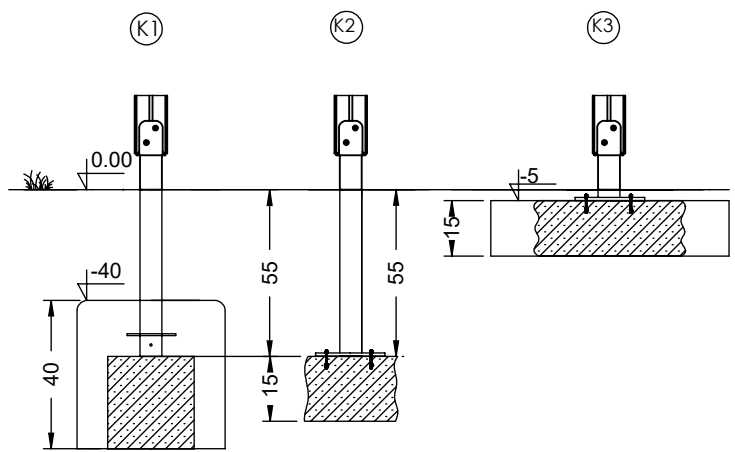


vinci
play



[cm]

vinci
play

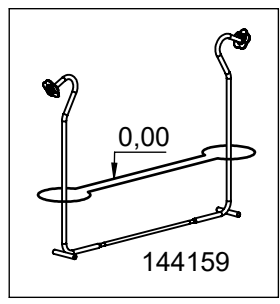


232x M10x120 (K2)
236x M10x120 (K3)

NOT INCLUDED

4x M8x120 (K2)

NOT INCLUDED

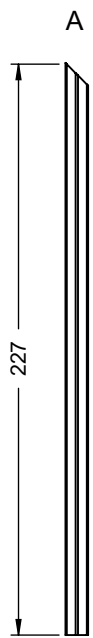


[cm]

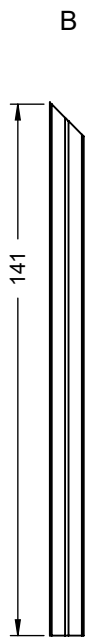
x4
 16h

 x66 0,06 m³
 x66 >0,02m³ (K2/K3)
 48h

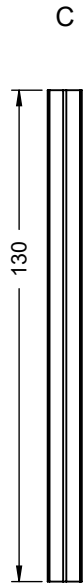
vinci
play



14722745
x4



14714145
x4



14713090
x14



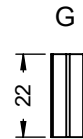
14712090
x3



14710390
x22



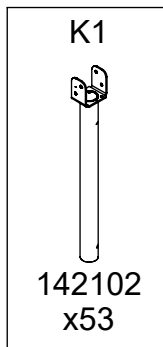
14704490
x2



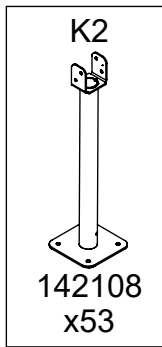
14702290
x10



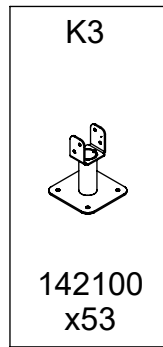
14702020
x2



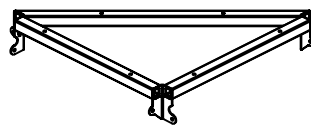
142102
x53



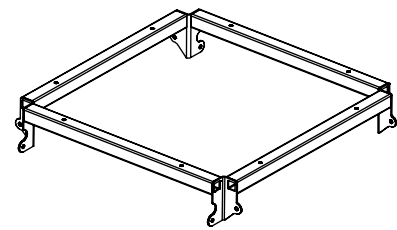
142108
x53



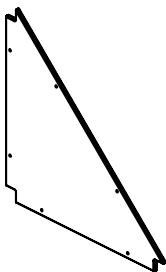
142100
x53



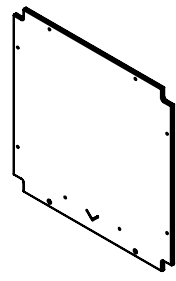
142110
x1



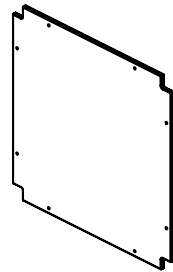
142109
x26



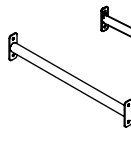
141104
x1



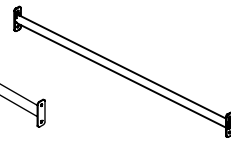
141101
x1



141100
x4



142117
x9



142141
x9



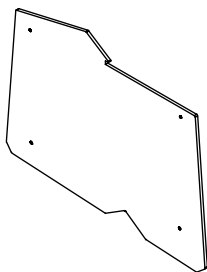
144126
x2



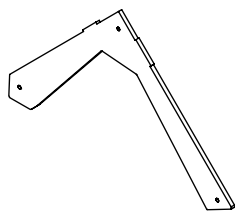
141133
x2



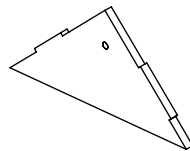
994121
x1



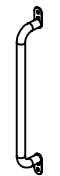
141120
x4



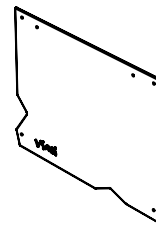
141123
x2



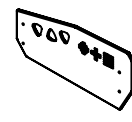
141122
x2



172107
x2



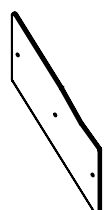
141152
x1



141253
x1



141341
x2



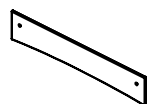
171144
x2



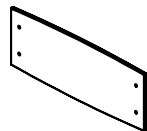
141326
x2



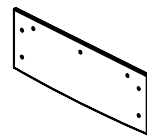
141325
x2



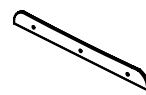
171132
x3



171131
x2



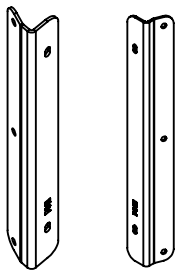
171134
x1



141345
x1

[cm]

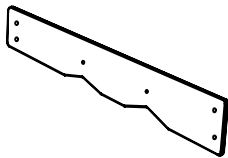
vinci
play



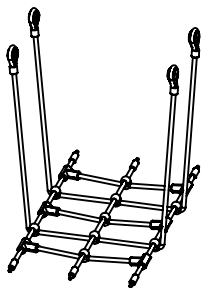
b341
x1



b342
x1



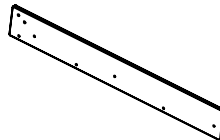
141321
x2



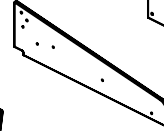
145248
x1



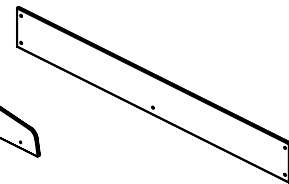
144159
x2



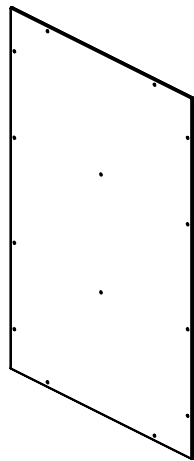
171159
x4



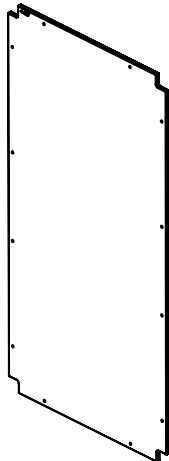
171223
x4



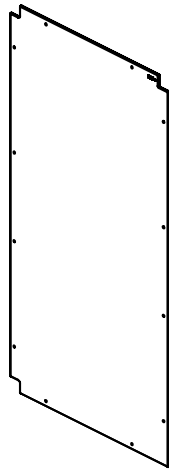
141357
x2



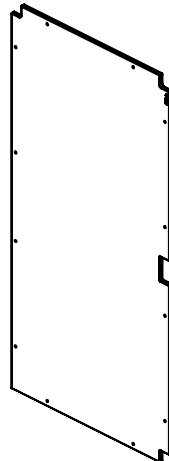
171153
x6



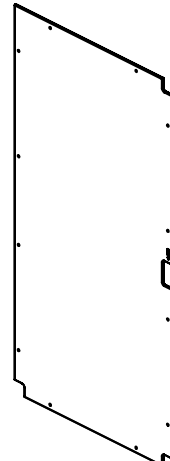
141347
x3



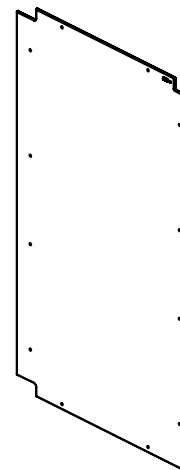
141354
x3



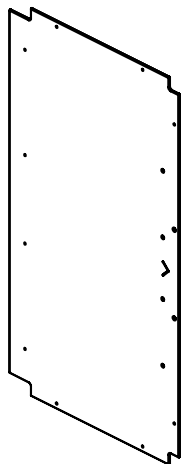
141355
x1



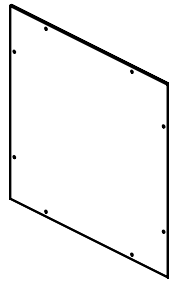
141352
x1



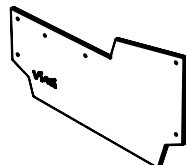
141353
x1



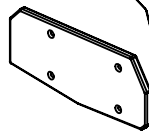
141358
x1



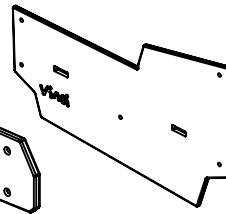
141356
x1



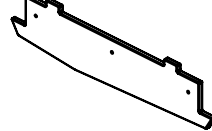
141135
x1



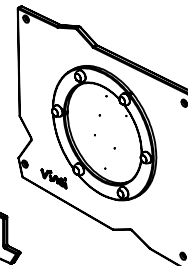
141136
x1



141184
x1



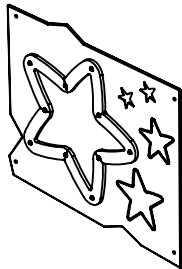
141185
x1



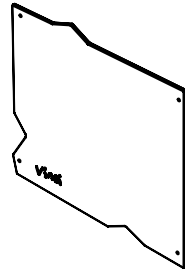
144227
x1



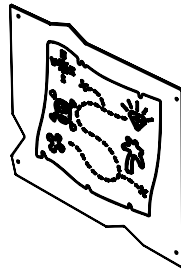
141250
x1



144168
x1



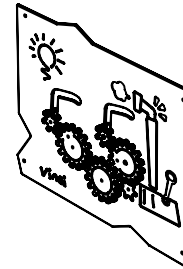
141125
x1



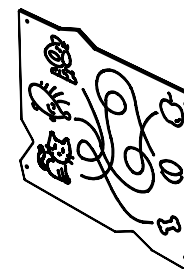
141127
x1



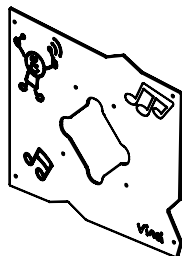
141303
x1



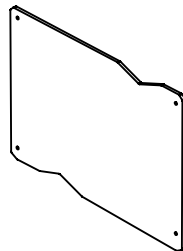
144185
x1



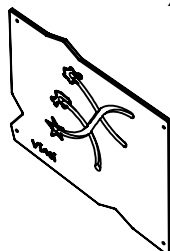
141243
x1



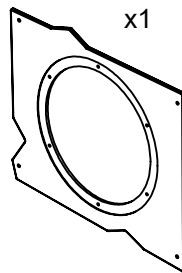
141318
x1



141148
x1



141139
x1



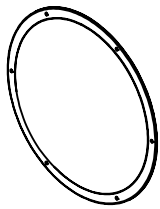
141128
x1



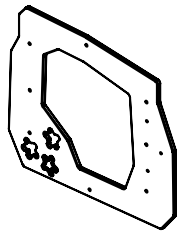
011135
x1

[cm]

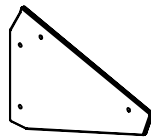
vinci
play



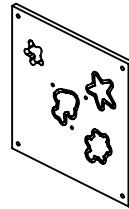
996184
x1



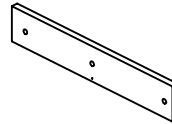
141302
x1



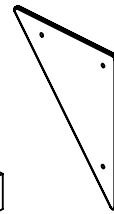
141301
x2



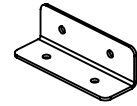
141261
x1



141262
x4



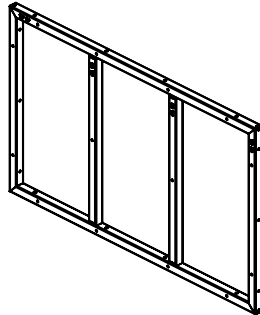
141264
x4



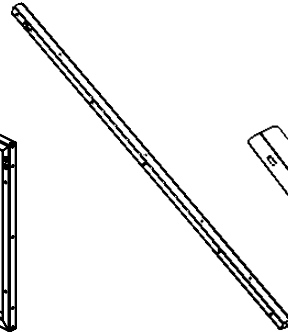
b351
x4



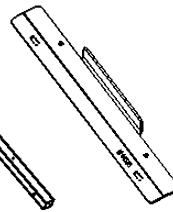
141146
x2



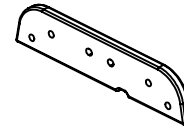
172113
x6



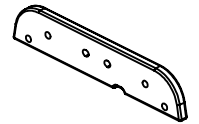
173108
x4



b334
x4



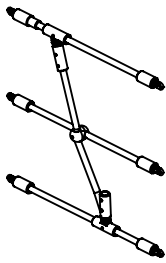
171227
x4



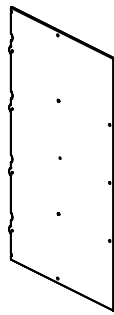
141359
x4

HPL

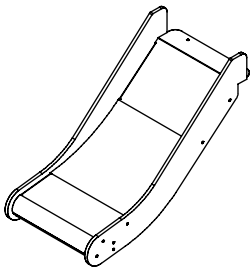
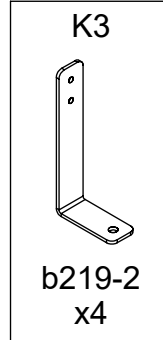
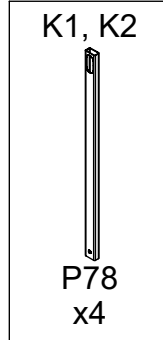
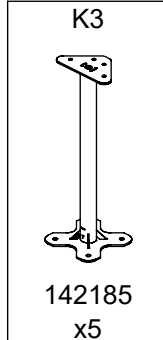
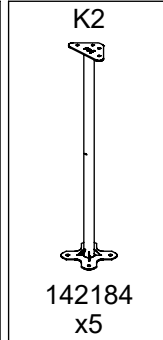
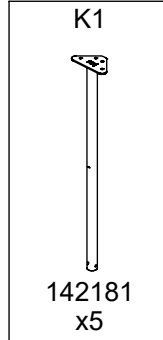
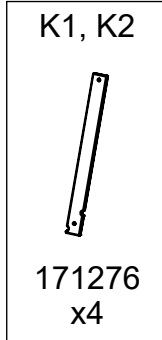
Plywood



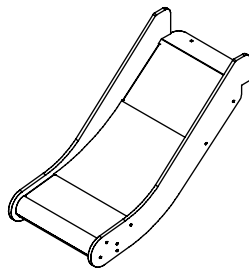
145121
x1



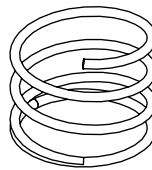
141361
x2



994103
x1



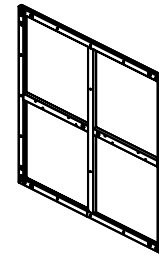
994159
x1



996115
x1

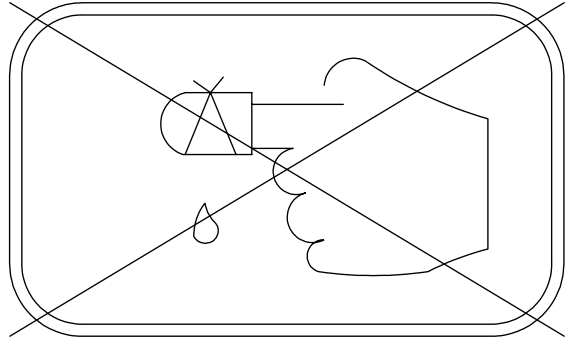
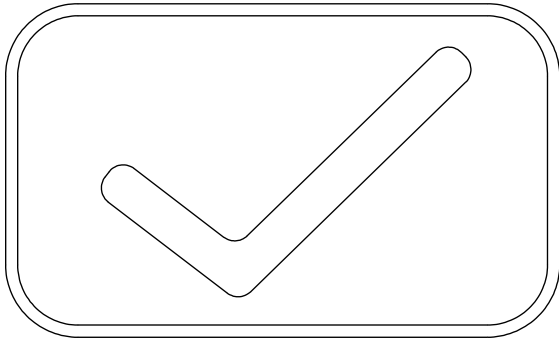
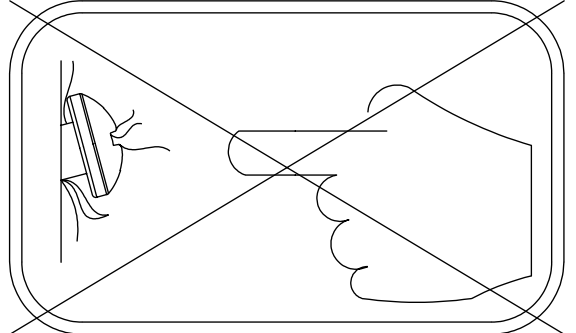
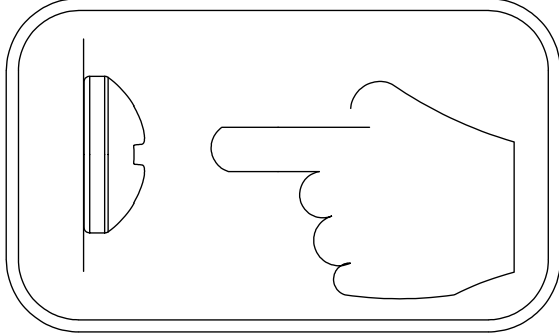
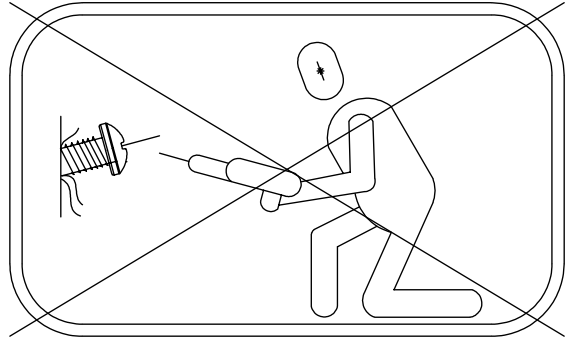
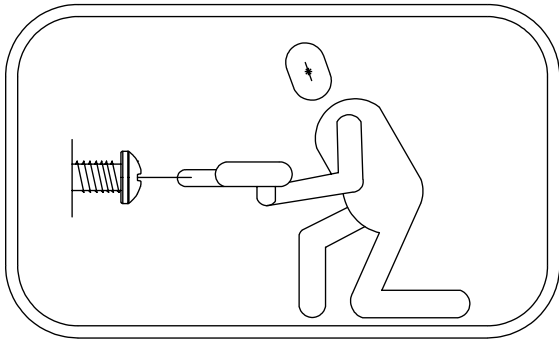


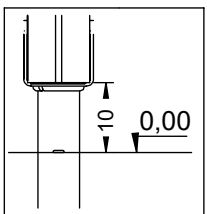
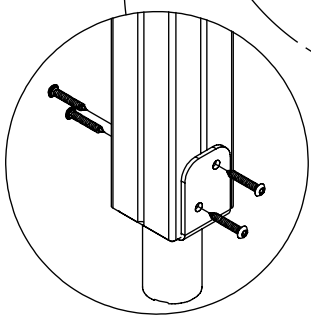
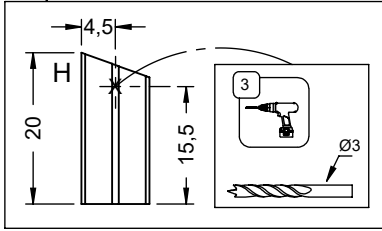
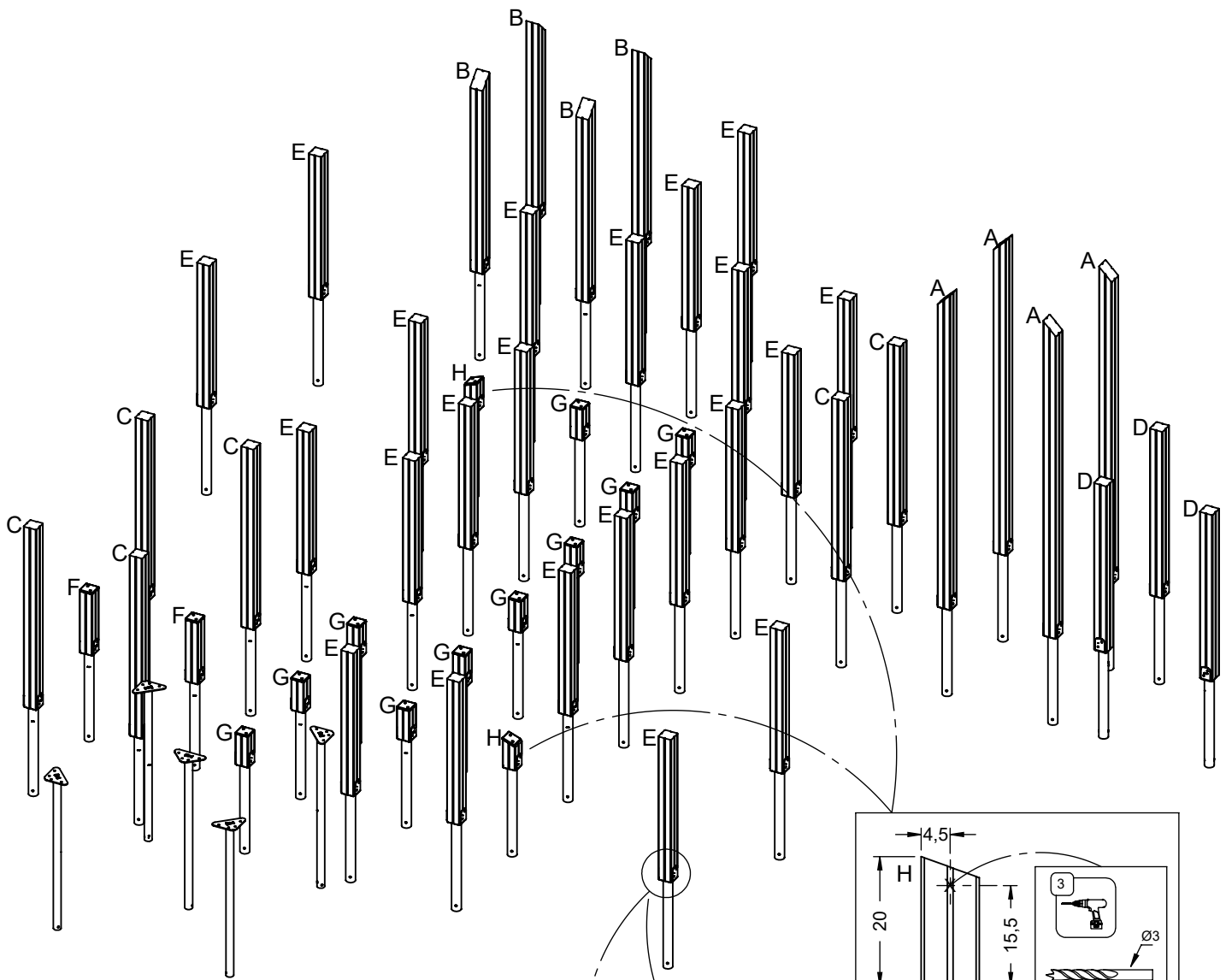
996252
x1



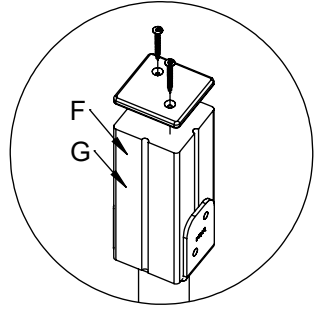
142183
x1

| | | PLYWOOD / HDPE | | HPL | |
|------|-------------|----------------|------------|-----|------------|
| 680x | 8x50 sxi | 15x | WD74 | 15x | WD75 |
| 8x | 8x80 sxt | 2x | WD63 | 2x | WD64 |
| 12x | 8x160 sxt | 1x | WD28 (S1) | 1x | WD29 (S1) |
| 2x | E34 (K1,K3) | 1x | WD113 (S6) | 1x | WD114 (S6) |
| 2x | E35 (K2) | 1x | WD132 | 1x | WD133 |
| 31x | WD1 | 2x | WD33 | 2x | WD34 |
| 2x | WD105 | 6x | WD76 | 6x | WD77 |
| 3x | WD97 | 1x | WE126 | 1x | WL126 |
| 2x | WD100 | 10x | WD70 | 10x | WD71 |
| 1x | WD103 | 2x | WD142 | 2x | WD141 |
| 1x | WD91 | 2x | WD145 | 2x | WD146 |
| 1x | WD66 | 1x | WD17 | 1x | WD18 |
| 2x | WD59 | 1x | WD19 | 1x | WD20 |
| 14x | WD161 | 1x | WD160 | 1x | WD159 |
| 2x | WD164 (K1) | 1x | CE8 | 1x | CL8 |
| 2x | E184 (K3) | 1x | WE125 | 1x | WL125 |
| 2x | WD171 (K2) | 1x | CE83 | 1x | CL83 |
| 2x | WD163 | 1x | CE9 | 1x | CL9 |
| 2x | WD54 | 1x | CE6 | 1x | CL6 |
| 1x | WD56 | 1x | WD40 | 1x | WD41 |
| 1x | WD45 | 1x | WD112 | 1x | WD137 |
| 2x | Z18 | 1x | WD60 | 1x | WD61 |
| 3x | WD50 | 1x | WD58 | 1x | WD55 |
| 1x | WD167 | 2x | WD182 | 2x | WD181 |
| 2x | WD169 | 1x | WD80 | 1x | WD81 |
| 1x | V001 | 1x | CE49 | 1x | CL49 |
| 2x | 6x50 sxs | 2x | WD144 | 2x | WD143 |
| 1x | i128-4 | 4x | WD166 | 4x | WD165 |
| 1x | WD195 | | | | |

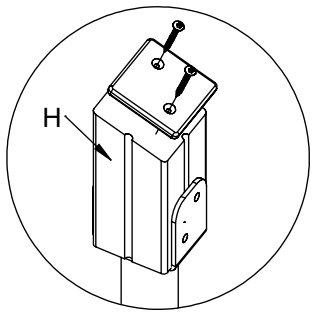




212x 8x50 sxi



12x WD161

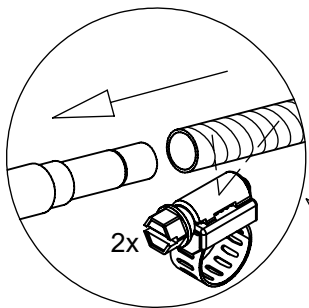


2x WD161



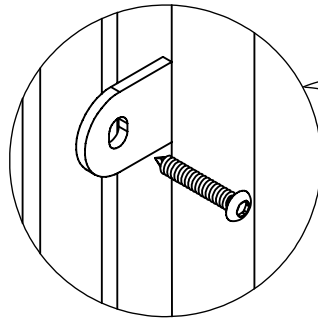
[cm]

vinci play



2x

2x Z18

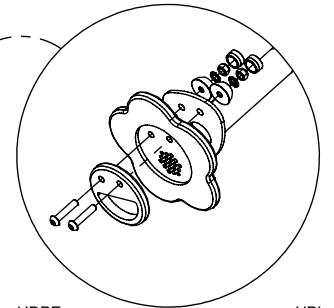


4x 8x50 sxi

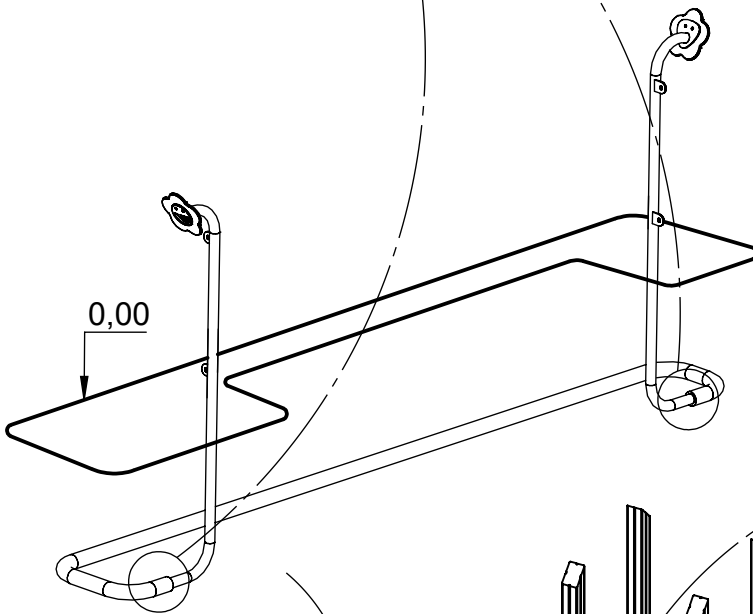
4,5

62

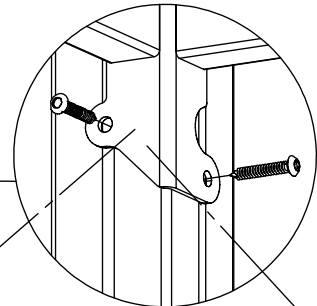
15,5



2x HDPE WD182 2x HPL WD181



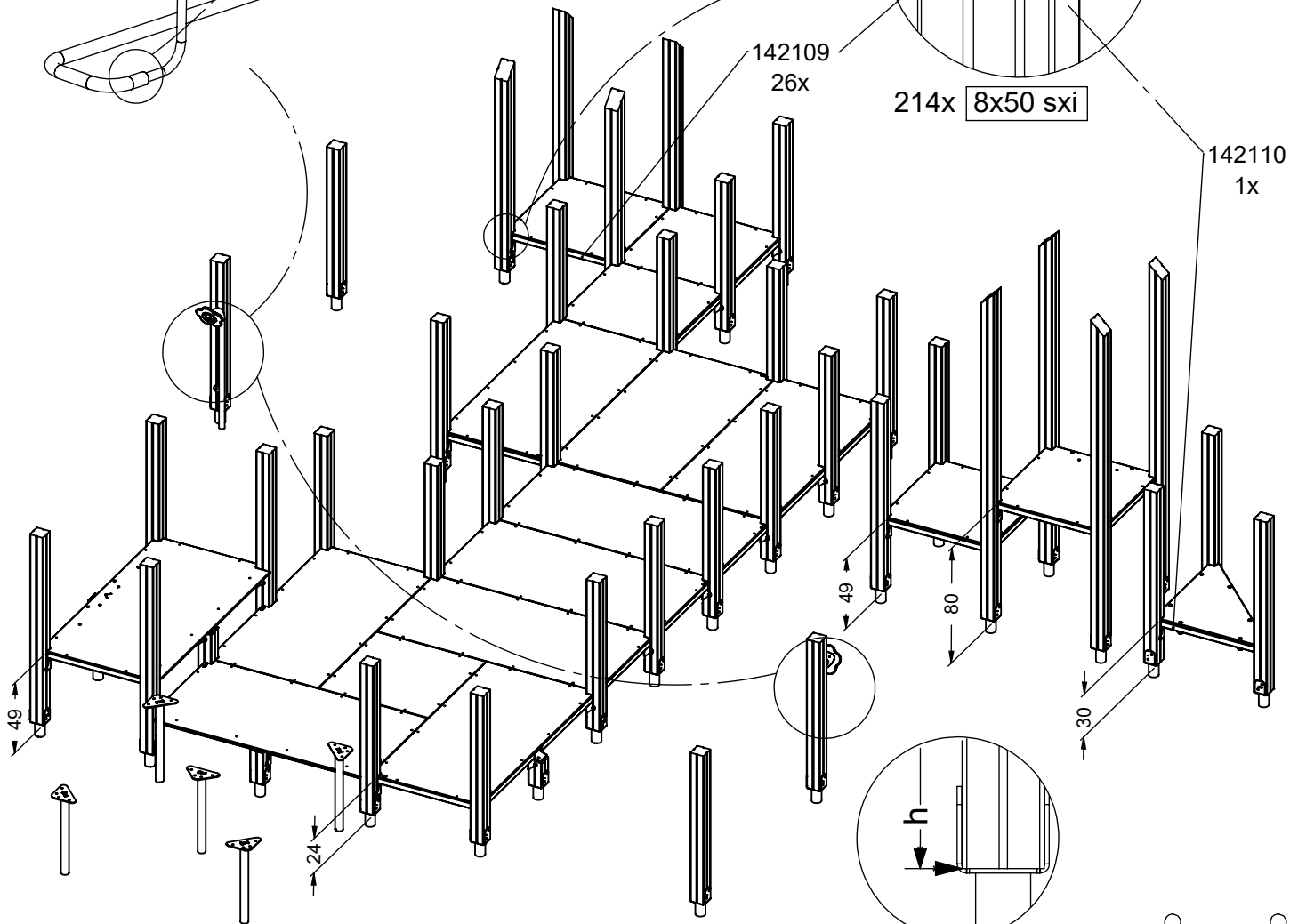
0,00



214x 8x50 sxi

142109
26x

142110
1x



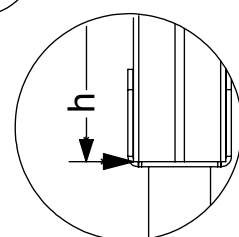
49

49

80

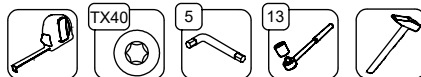
30

24



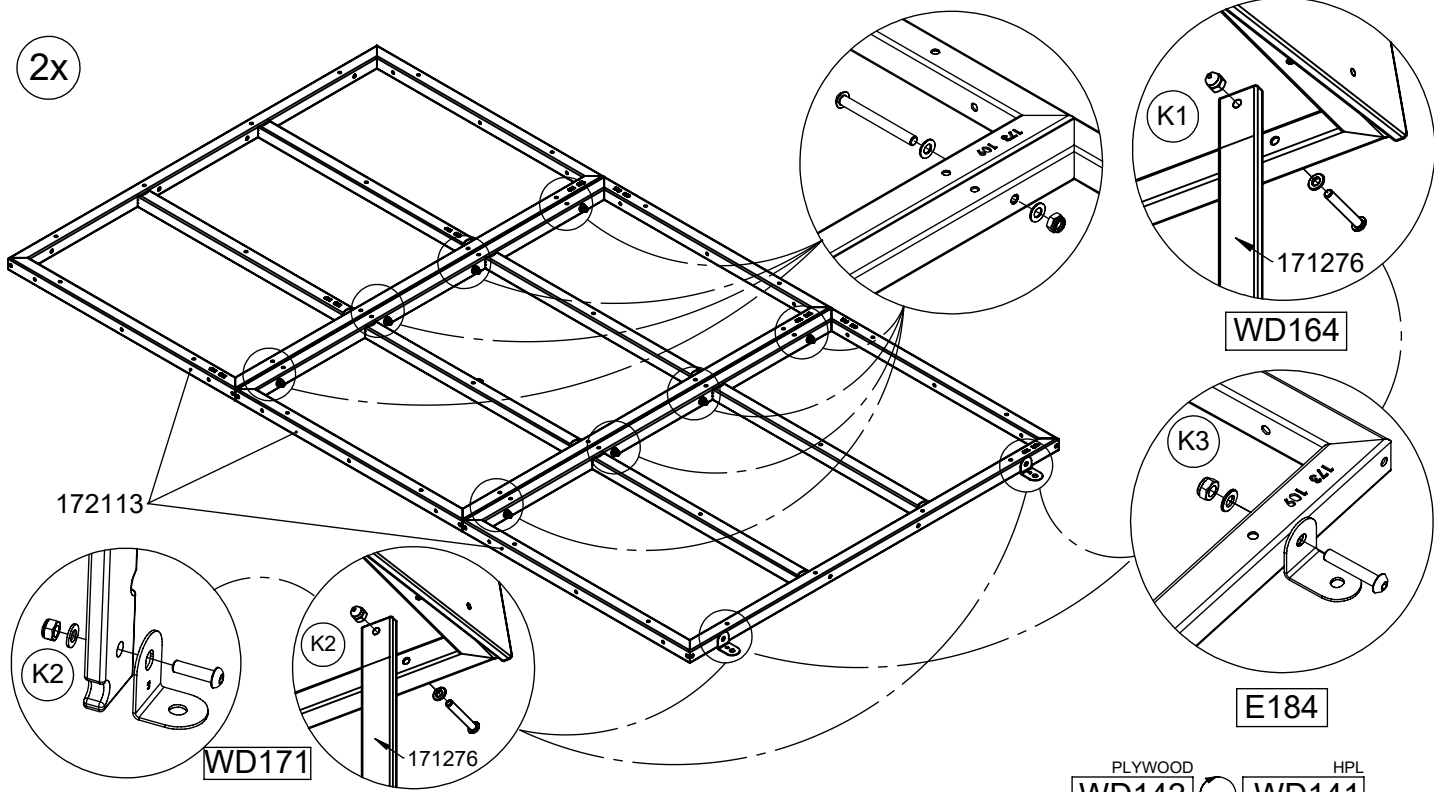
h

[cm]



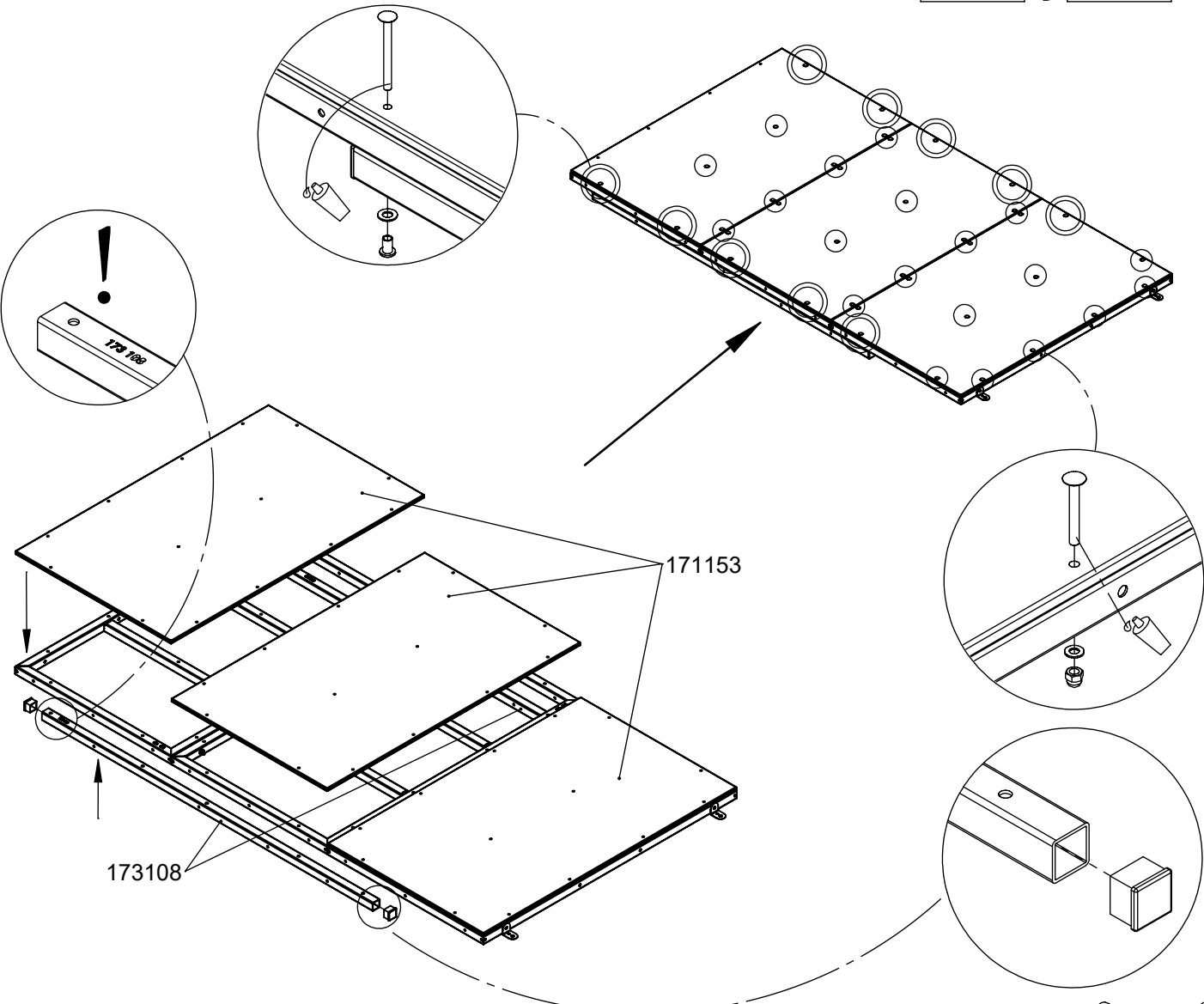
vinci
play

2x



PLYWOOD
WD142

HPL
WD141

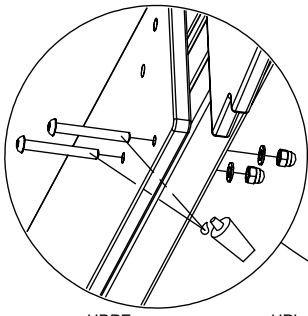


[cm]



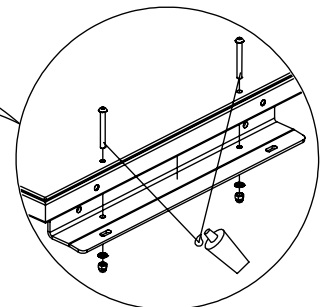
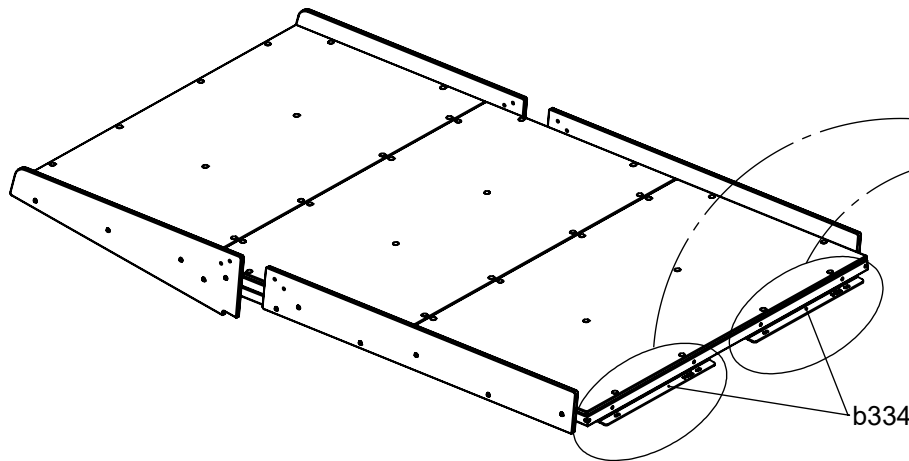
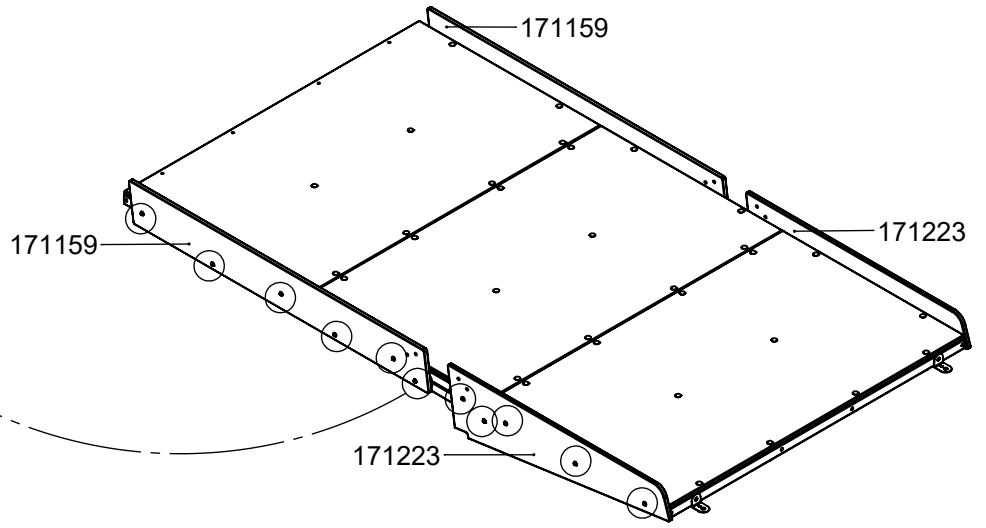
vinci
play

2x



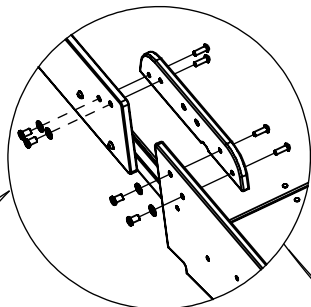
HDPE
WD146

HPL
WD145



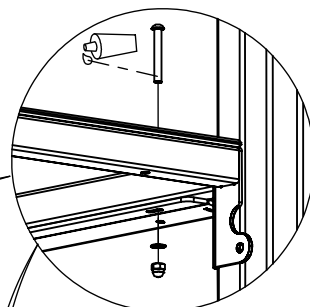
PLYWOOD
WD144

HPL
WD143



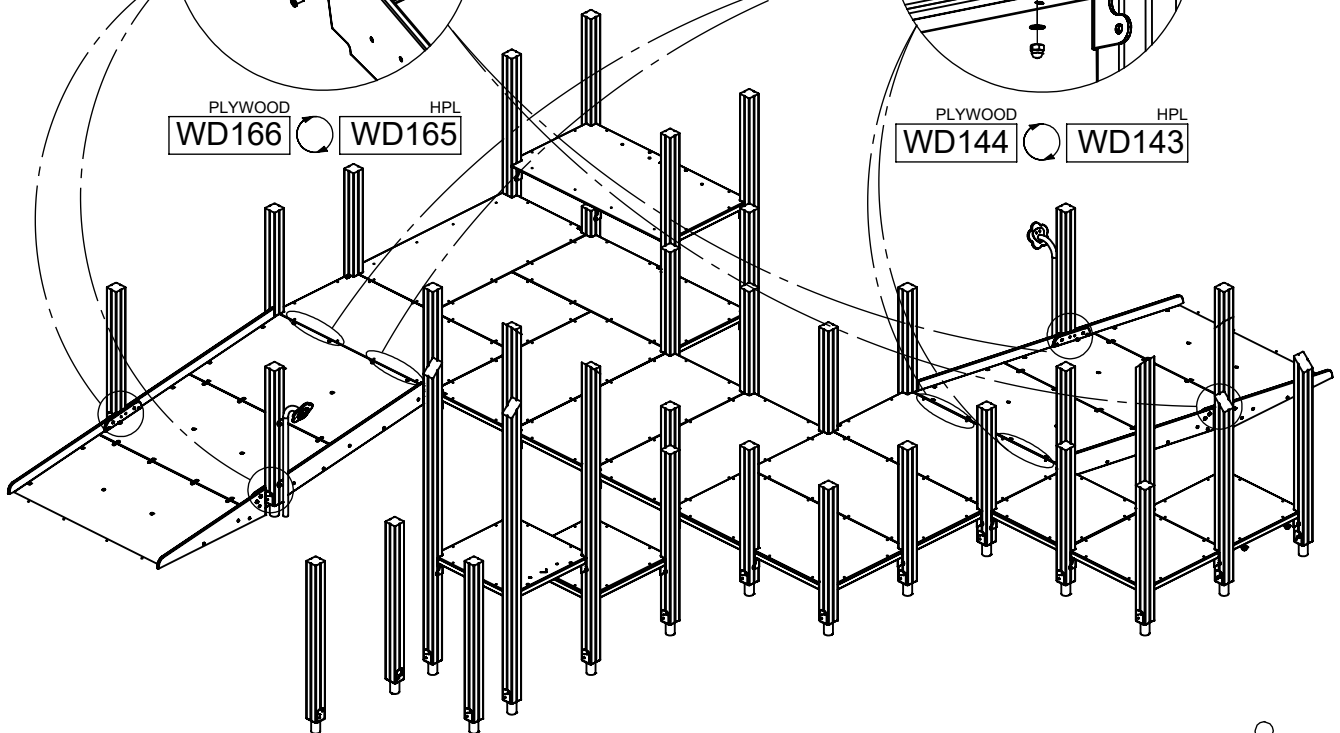
PLYWOOD
WD166

HPL
WD165



PLYWOOD
WD144

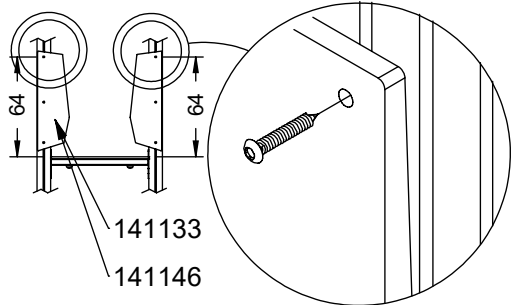
HPL
WD143



[cm]

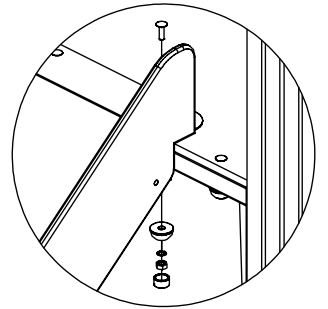


vinci
play



141133
141146

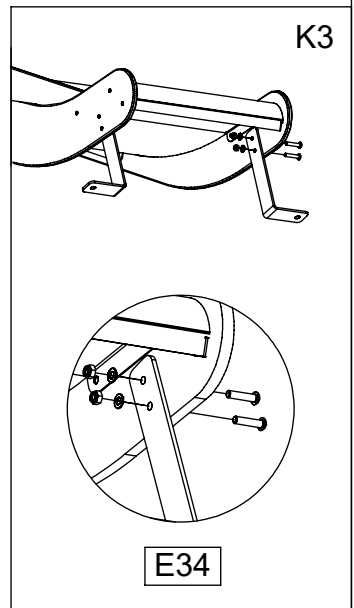
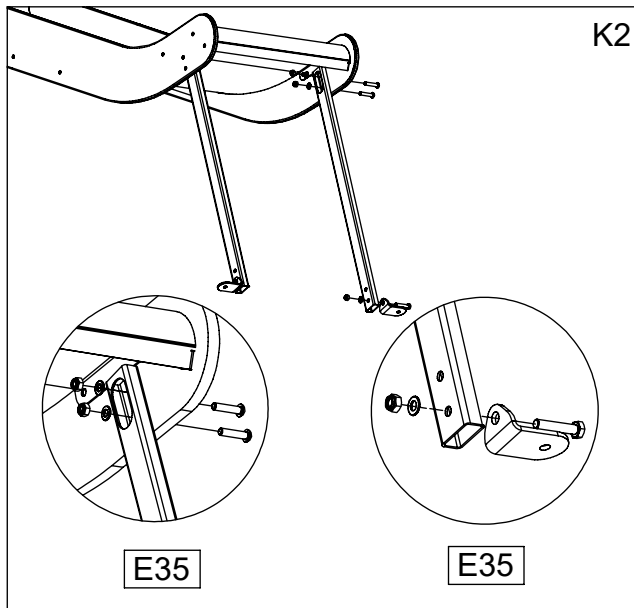
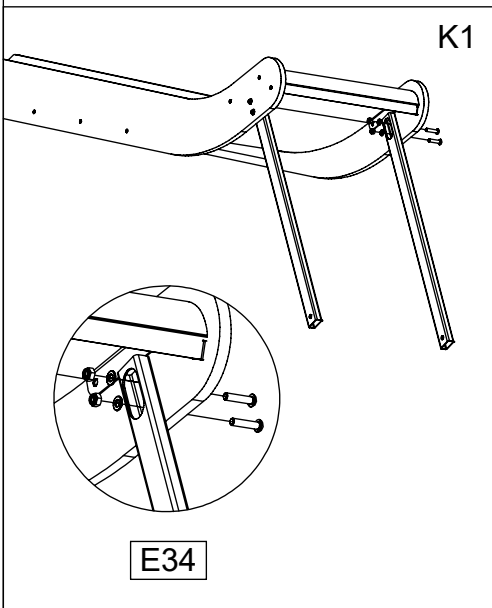
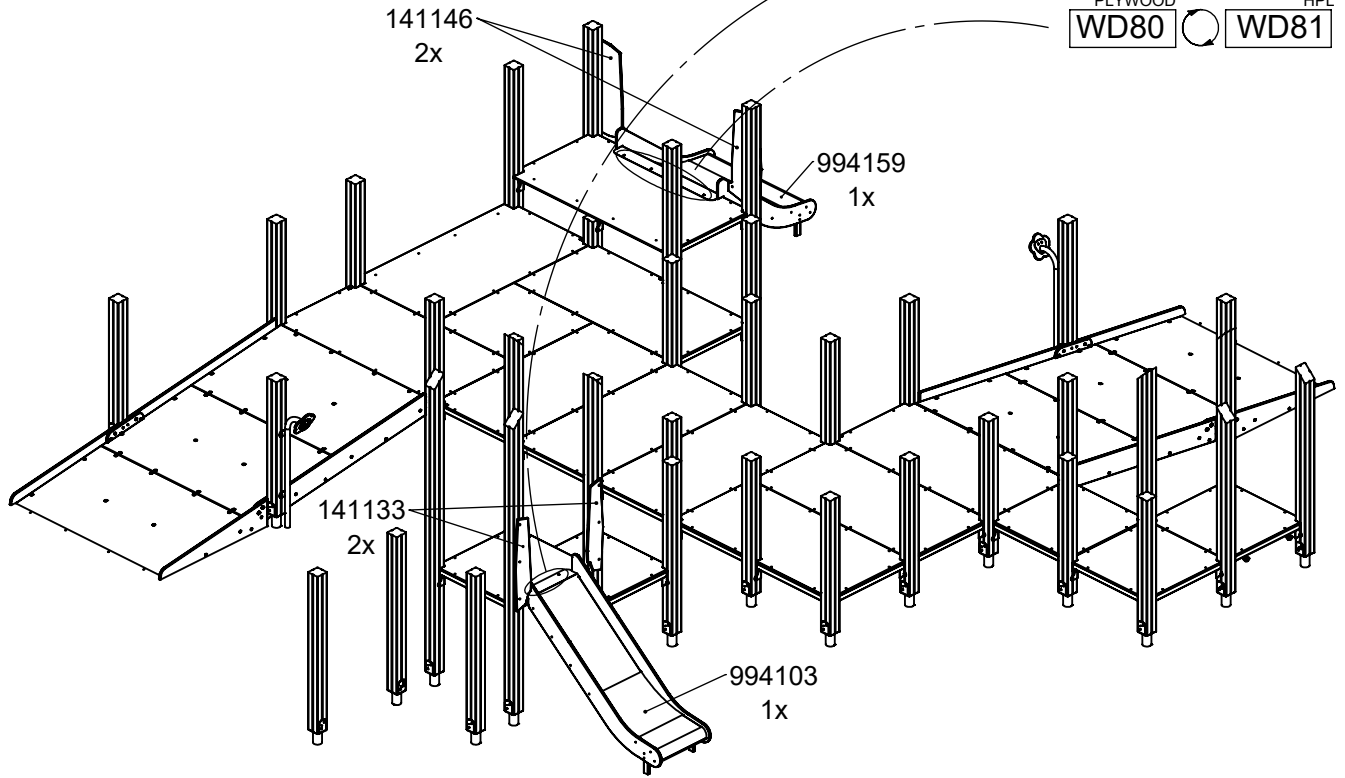
8x50 sxi



PLYWOOD HPL
WD28 S1 WD29

PLYWOOD HPL
WD113 S6 WD114

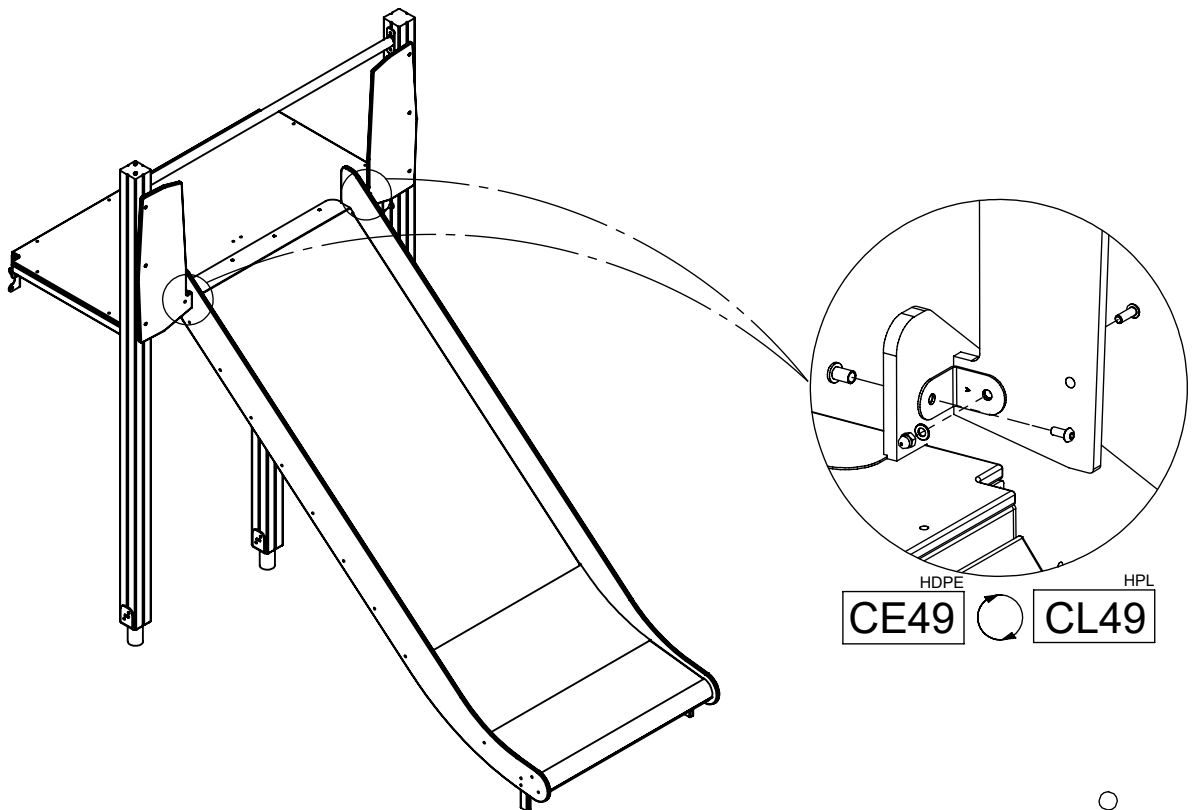
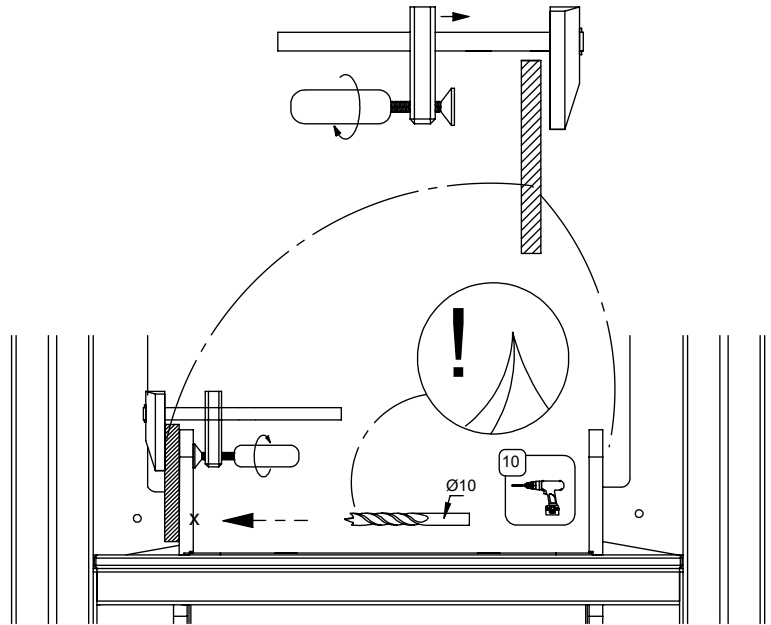
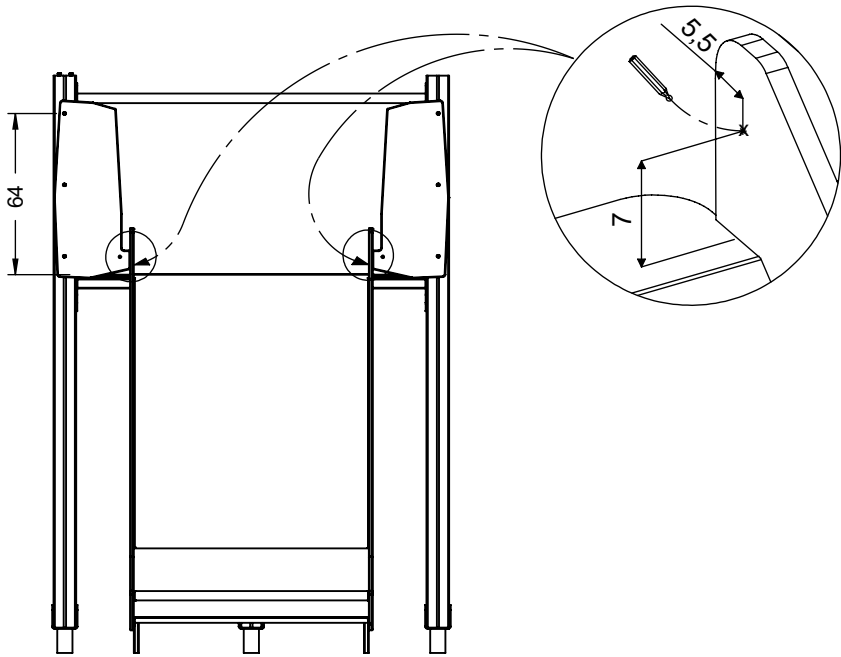
PLYWOOD HPL
WD80 WD81



[cm]

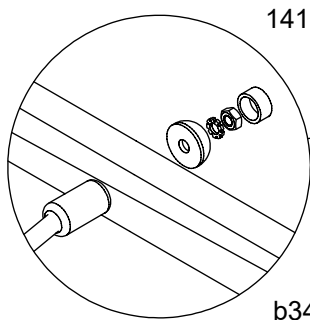


vinci
play



[cm]

vinci
play

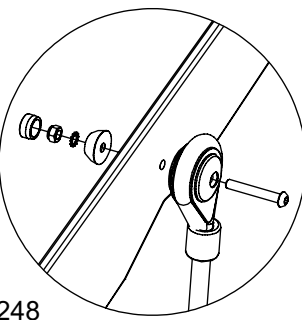


141321

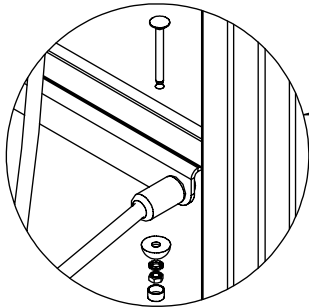
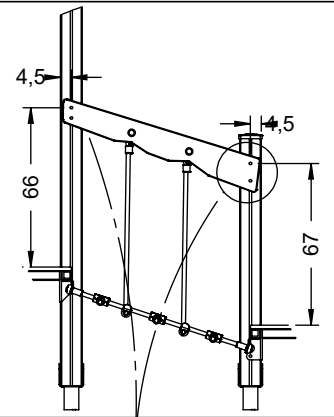
b342

145248

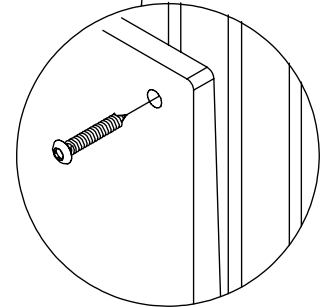
1x **WD66**



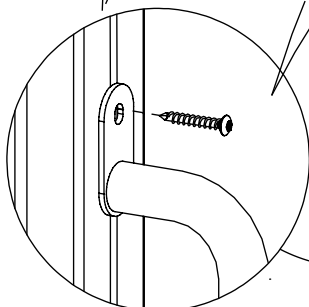
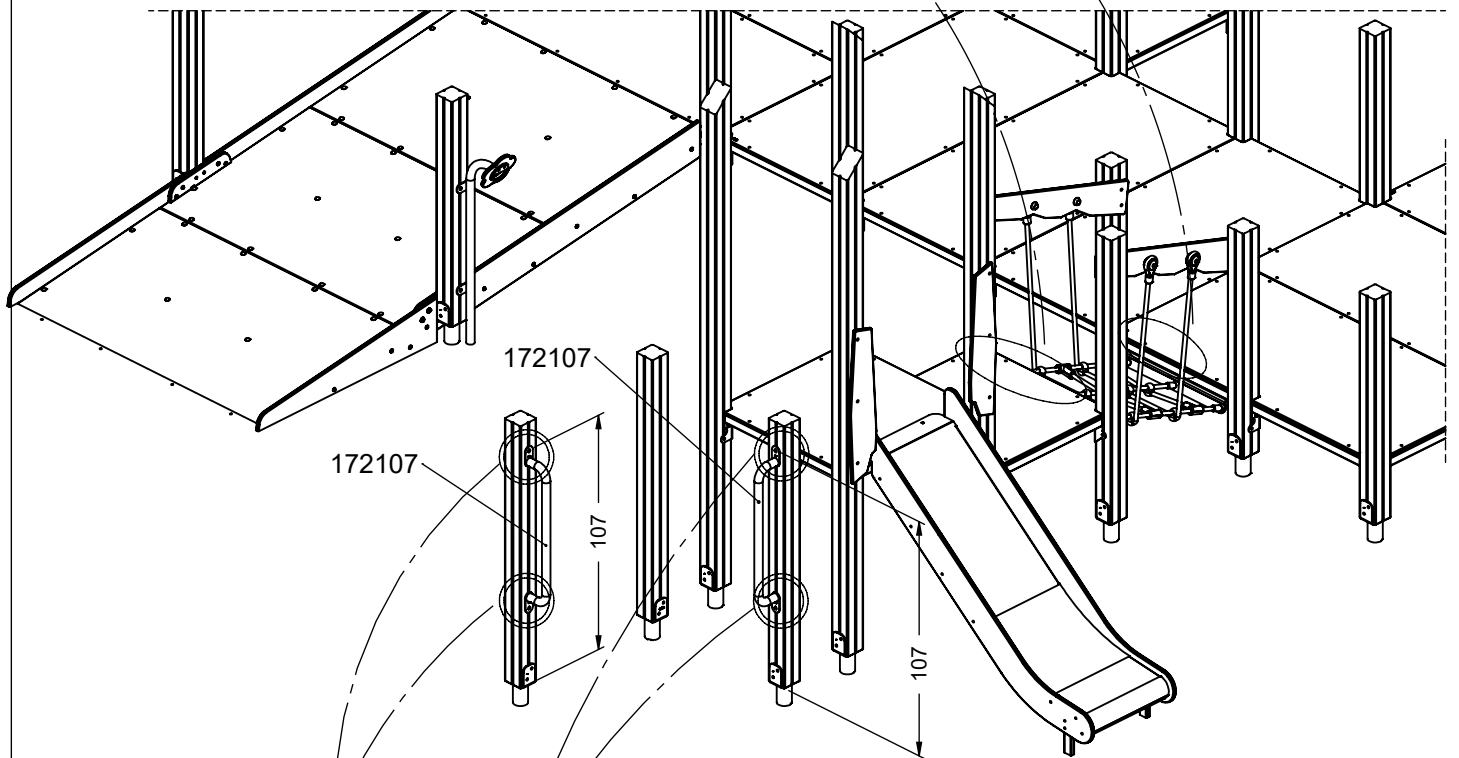
2x **WD59**



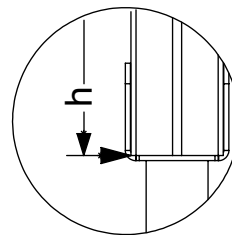
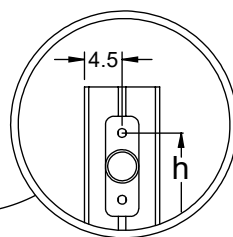
PLYWOOD **WD63** HPL **WD64**



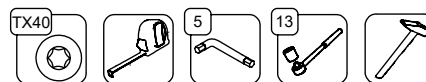
8x **8x50 sxi**



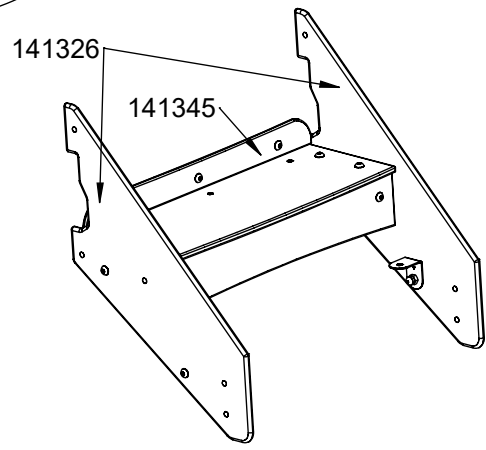
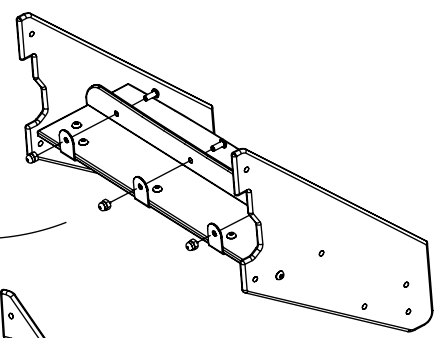
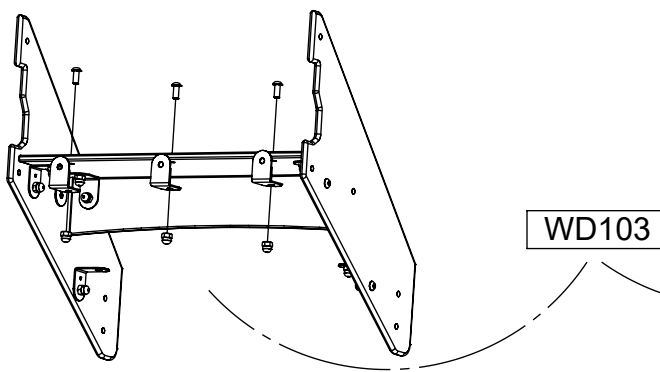
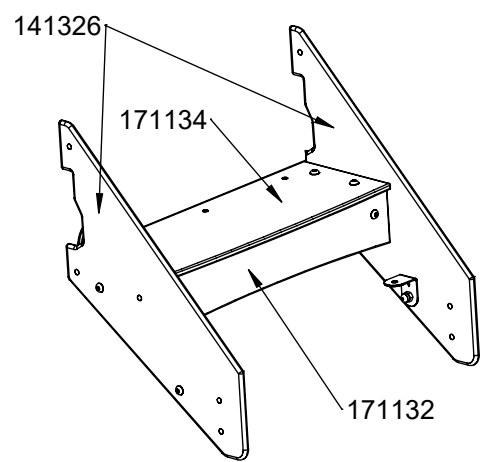
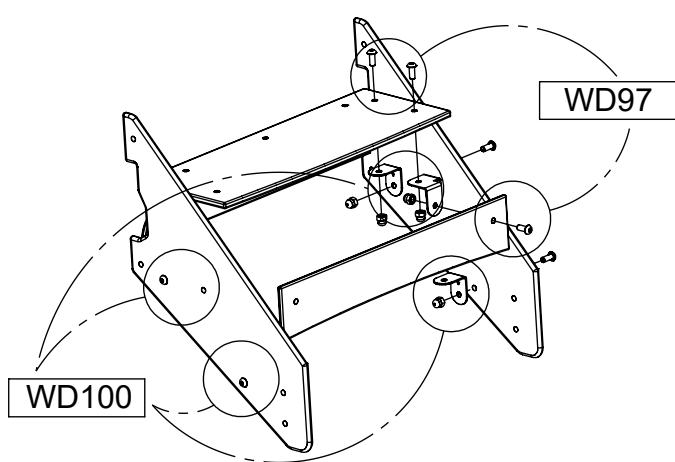
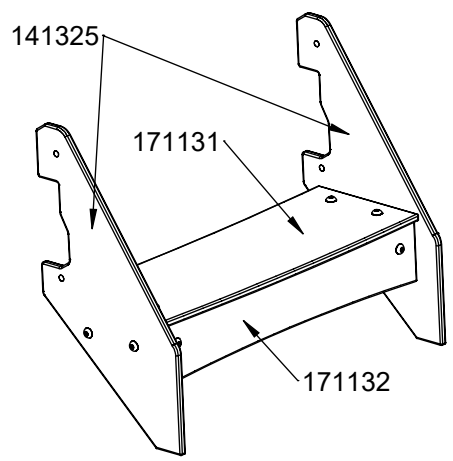
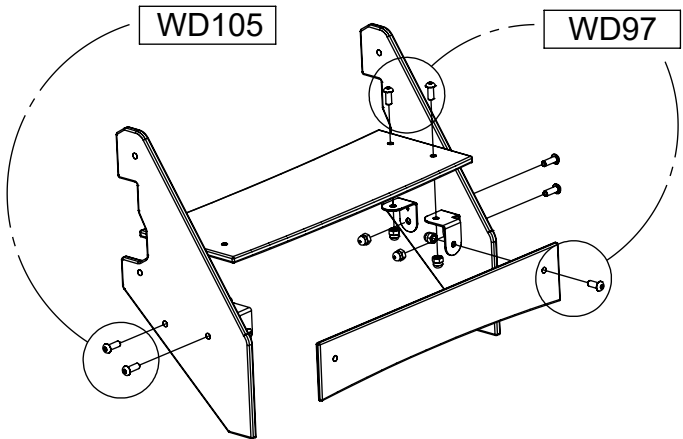
8x50 sxi



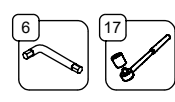
[cm]



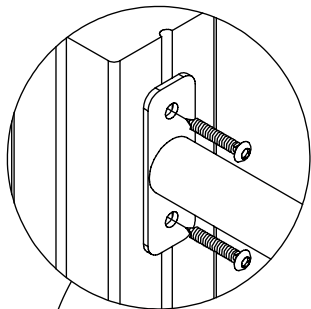
vinci play



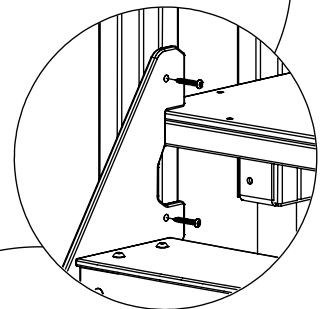
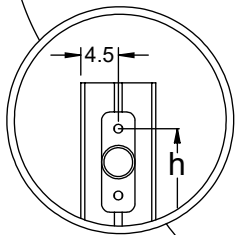
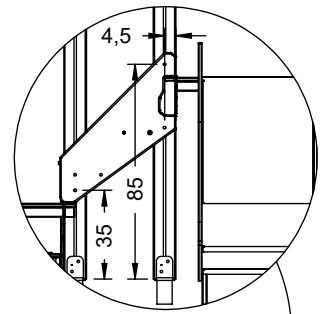
[cm]



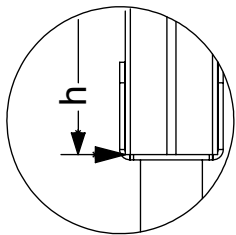
vinci
play



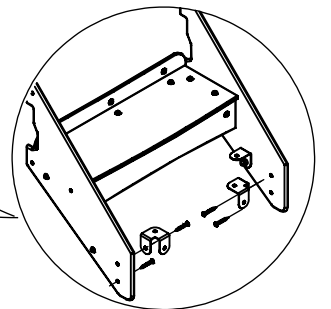
8x50 sxi



8x50 sxi

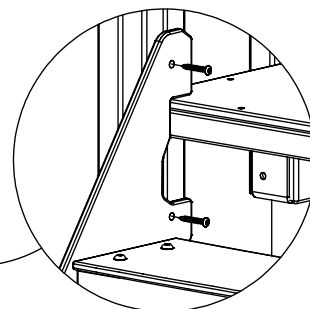
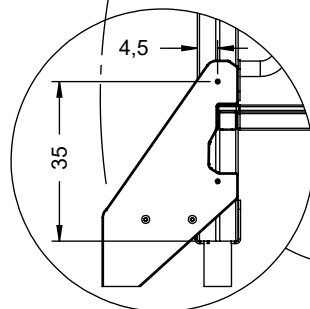


142117

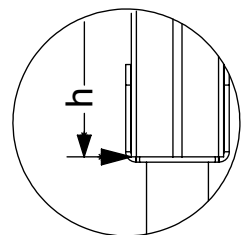


8x50 sxi

WD91



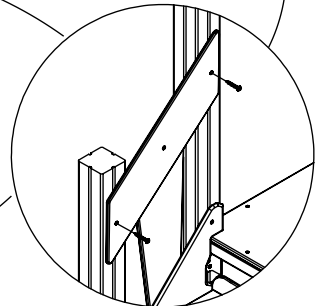
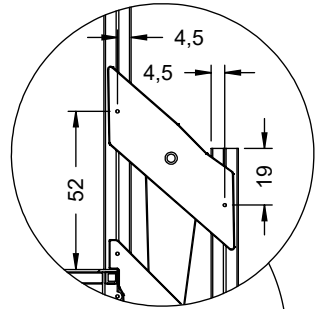
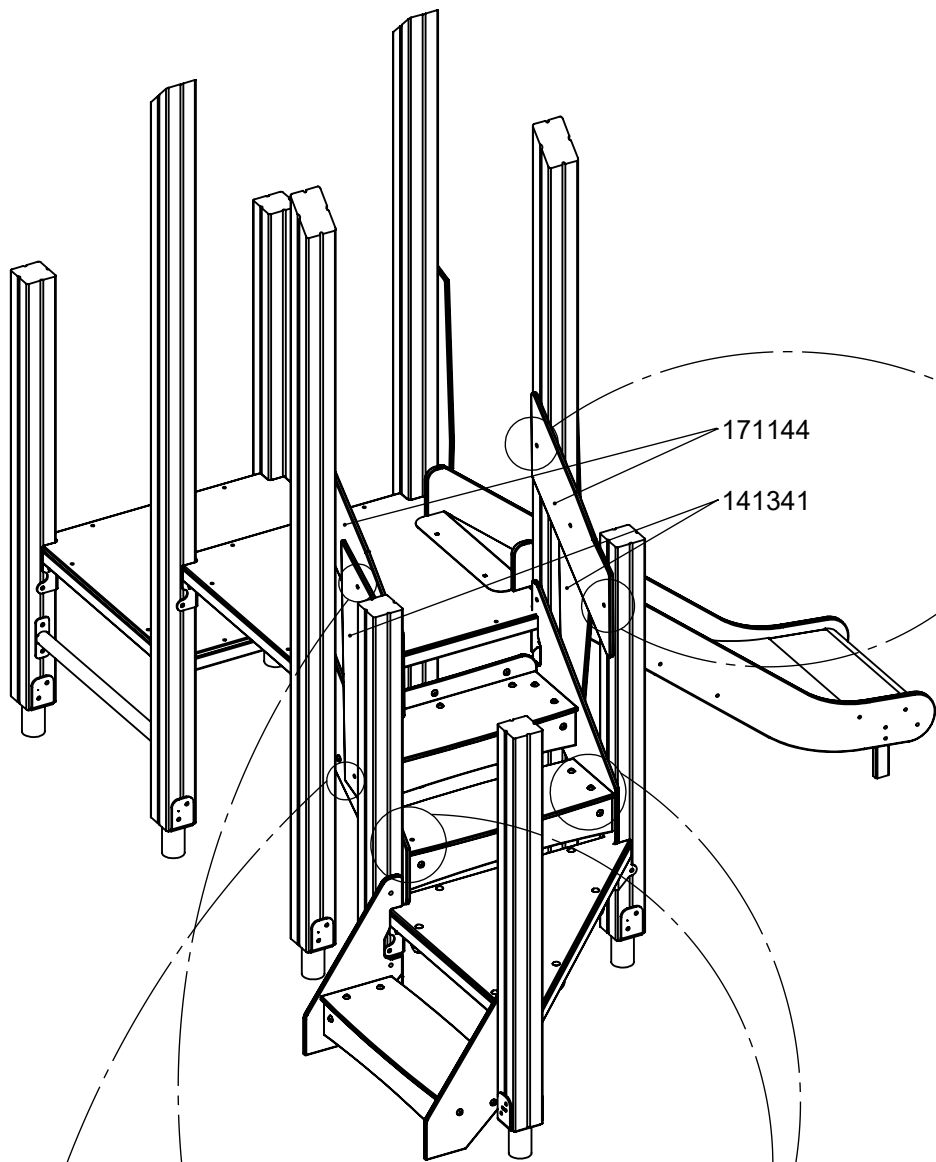
8x50 sxi



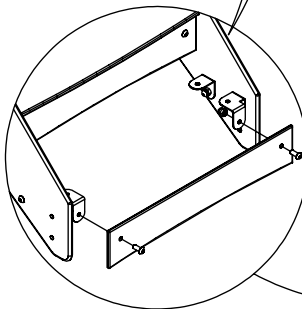
[cm]



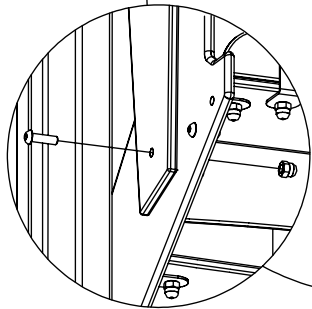
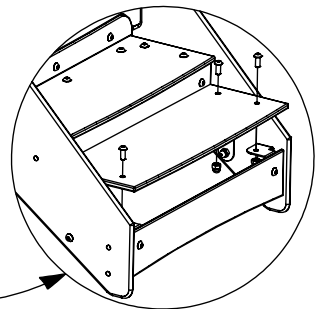
vinci play



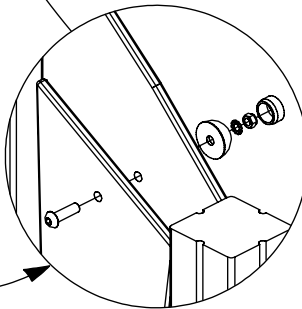
8x50 sxi



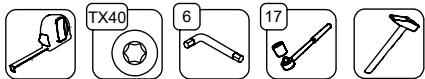
WD97



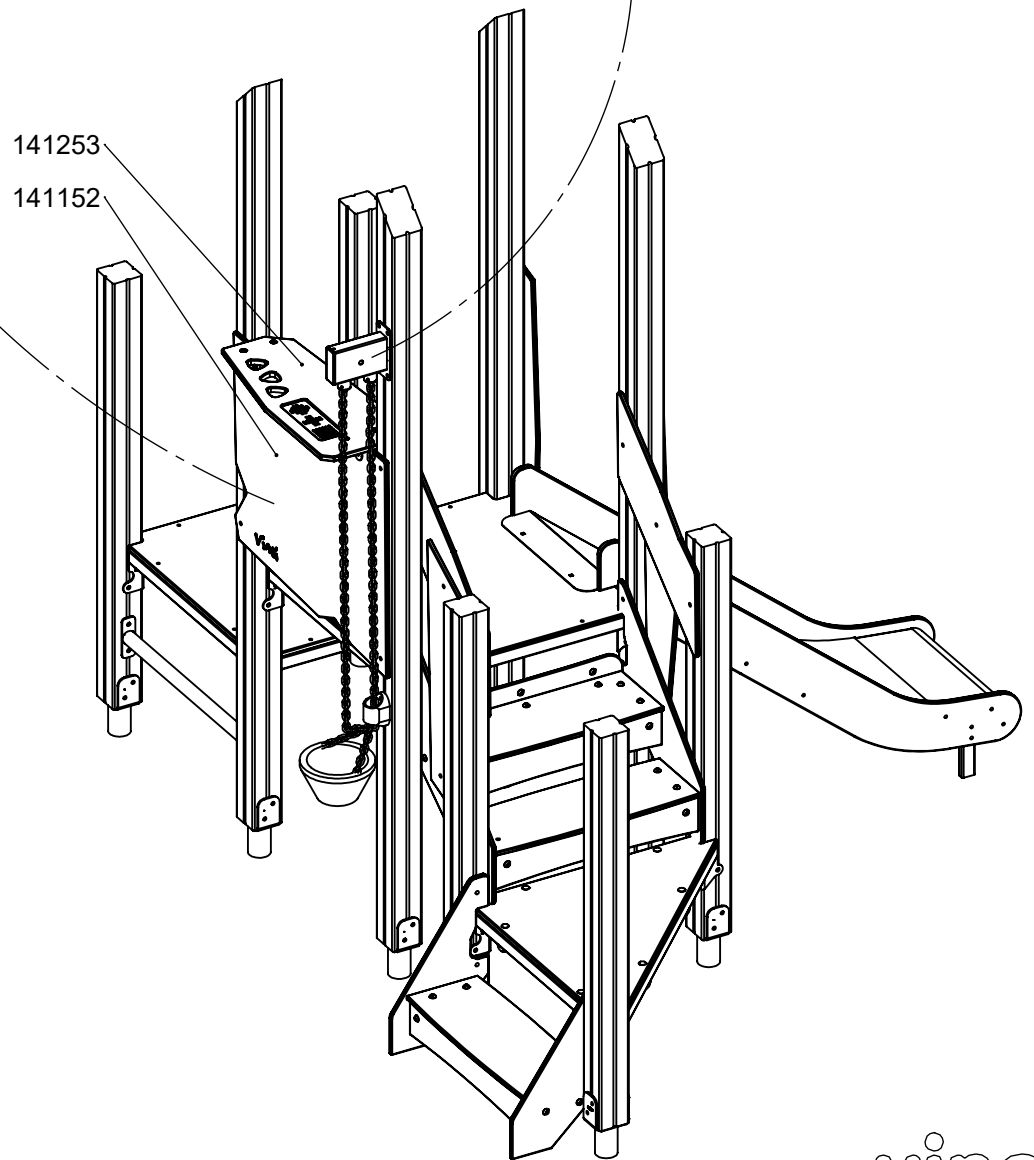
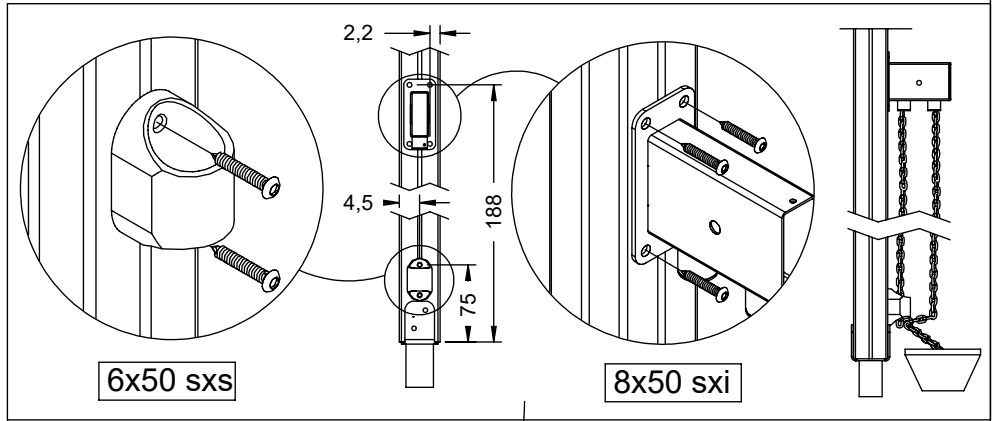
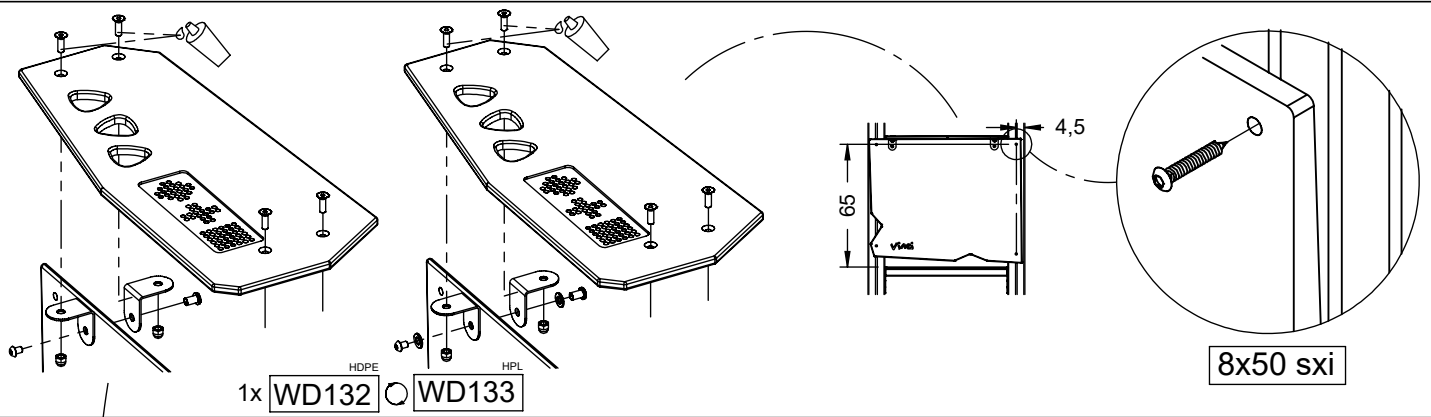
WD100



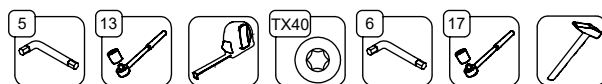
[cm]



vinci
play

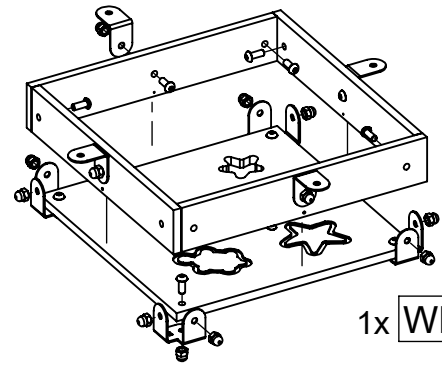
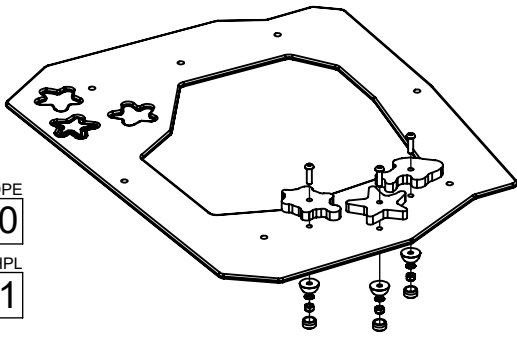


[cm]



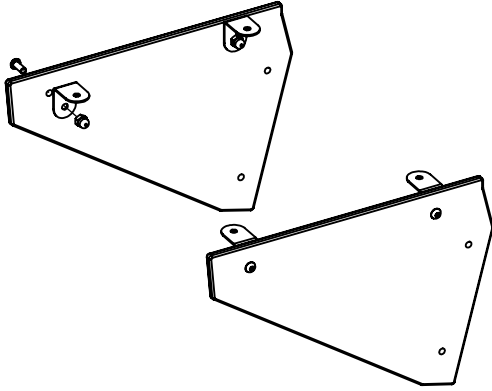
vinci
play

1x ^{HDPE} WD60
 1x ^{HPL} WD61

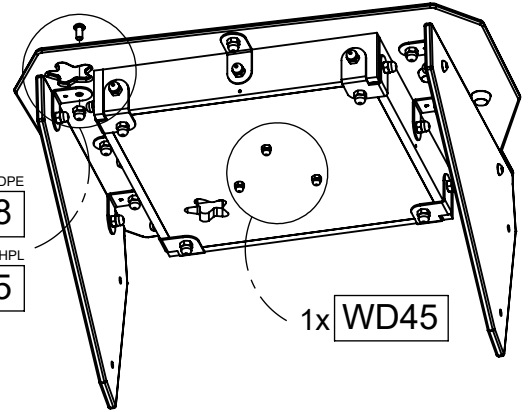


1x WD56

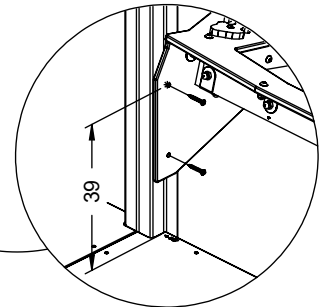
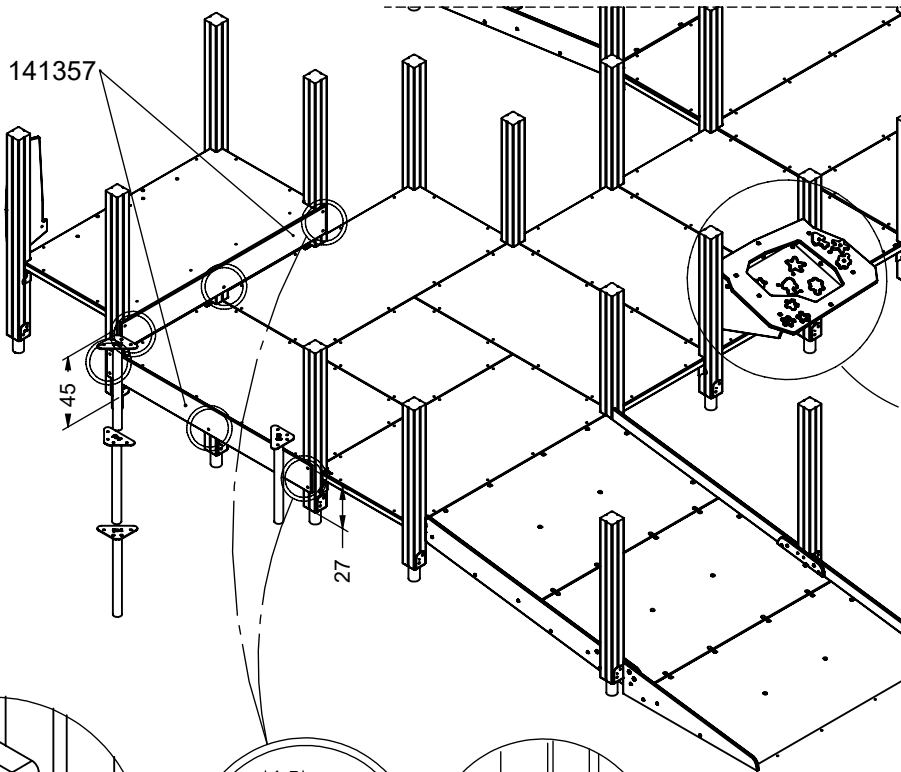
2x WD54



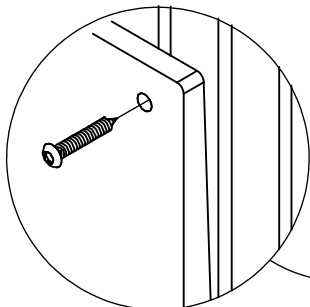
1x ^{HDPE} WD58
 1x ^{HPL} WD55



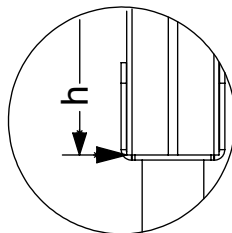
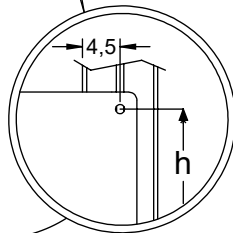
1x WD45



4x 8x50 sxi

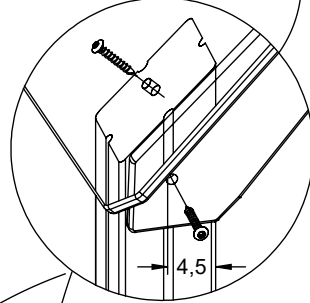
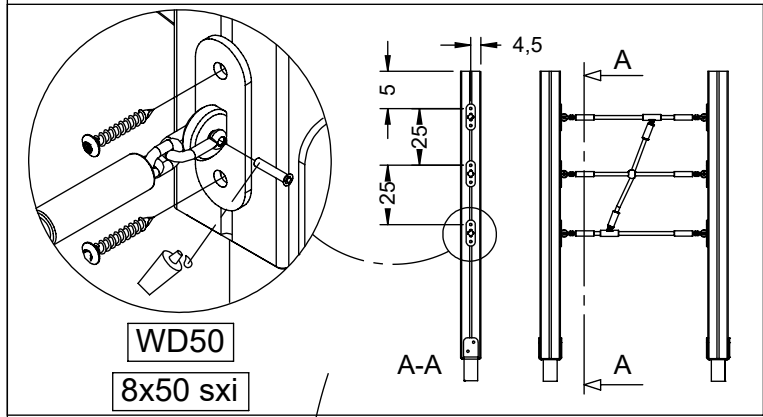
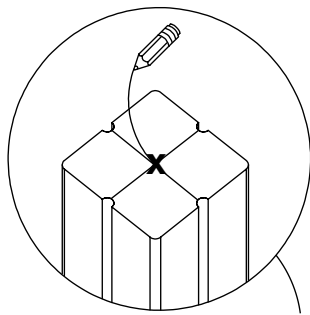
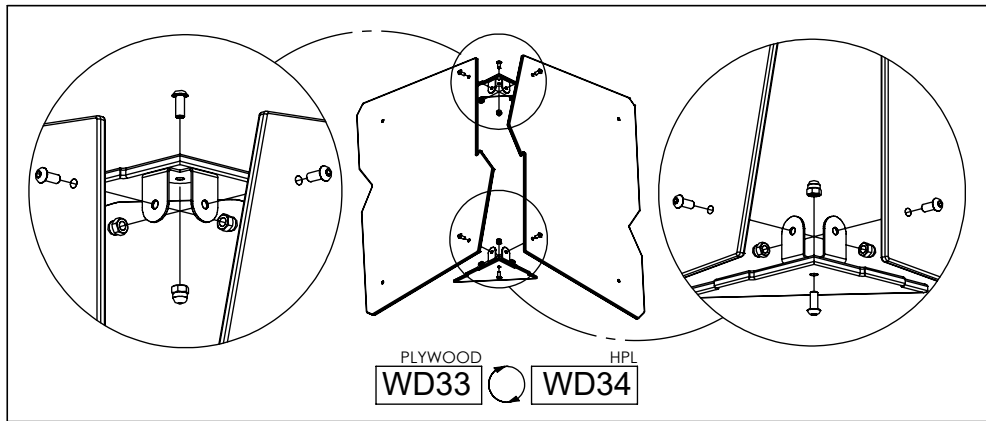


10x 8x50 sxi

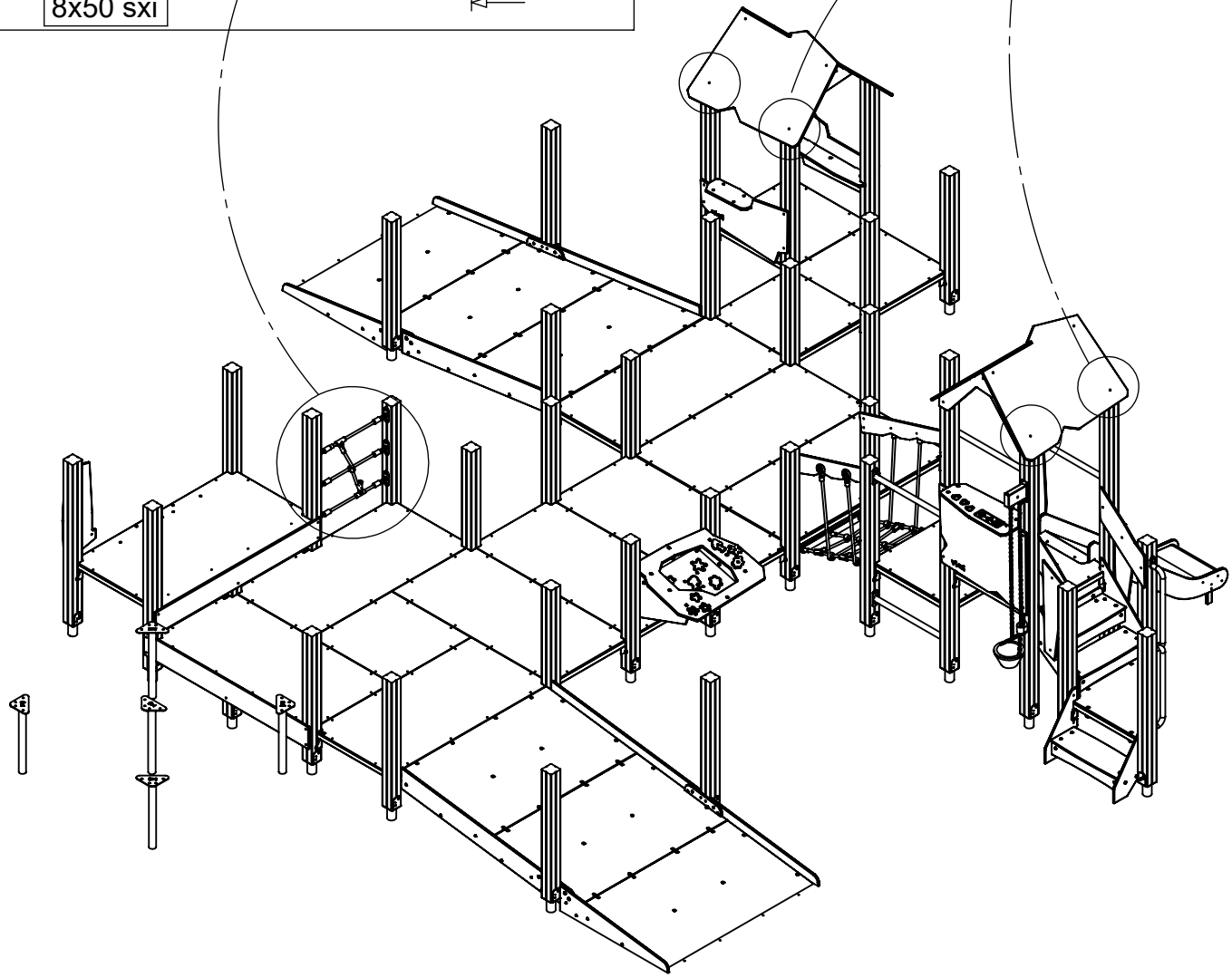


[cm]

vinci
play



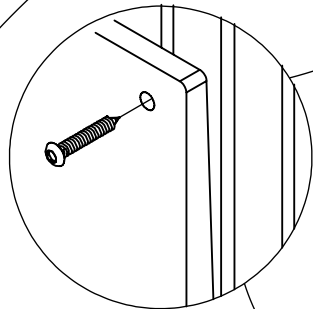
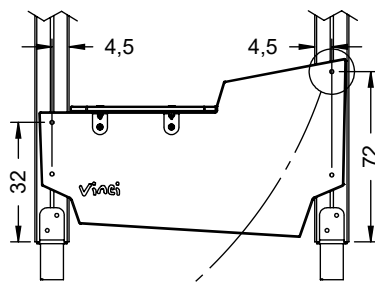
8x50 sxi



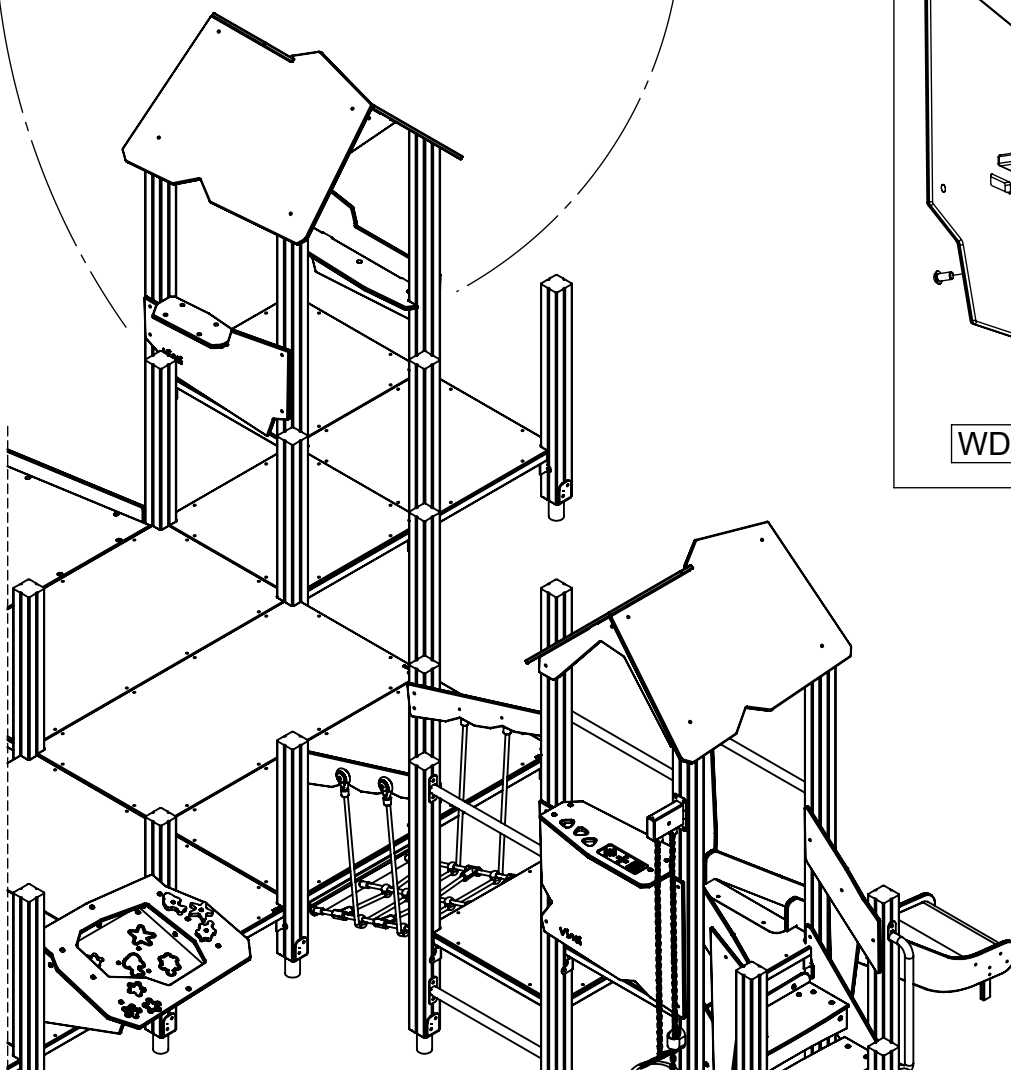
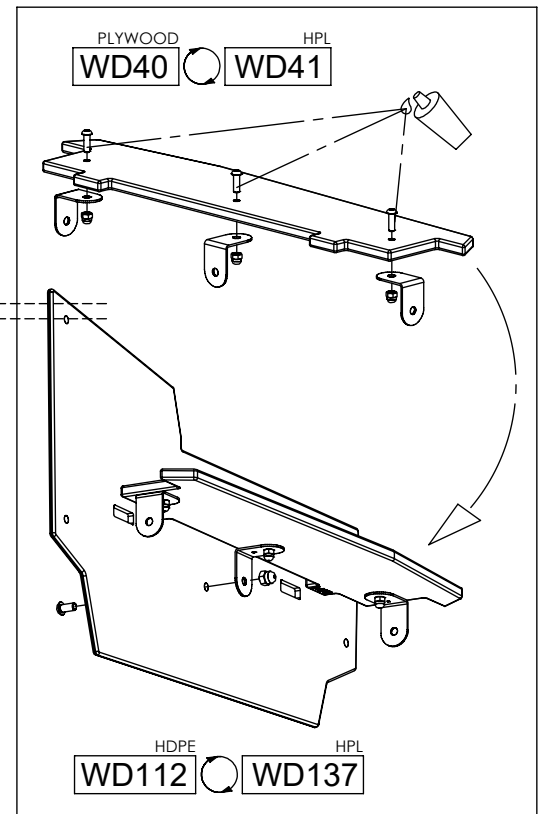
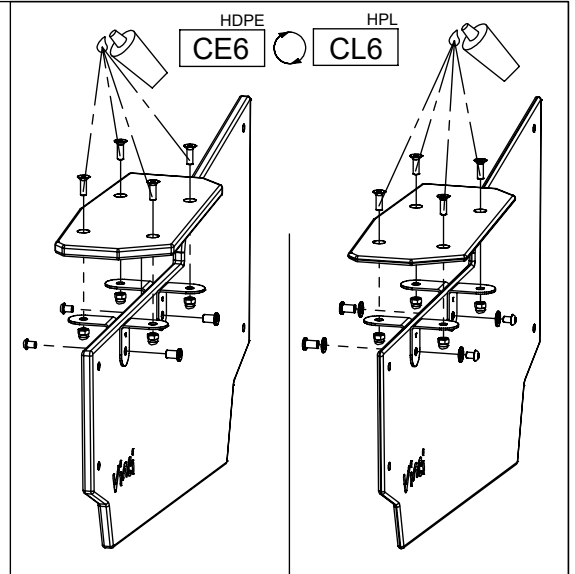
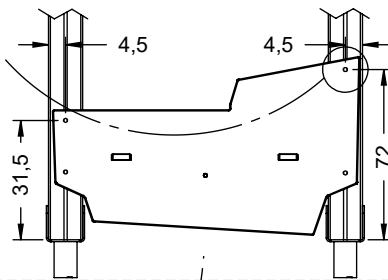
[cm]



vinci
play



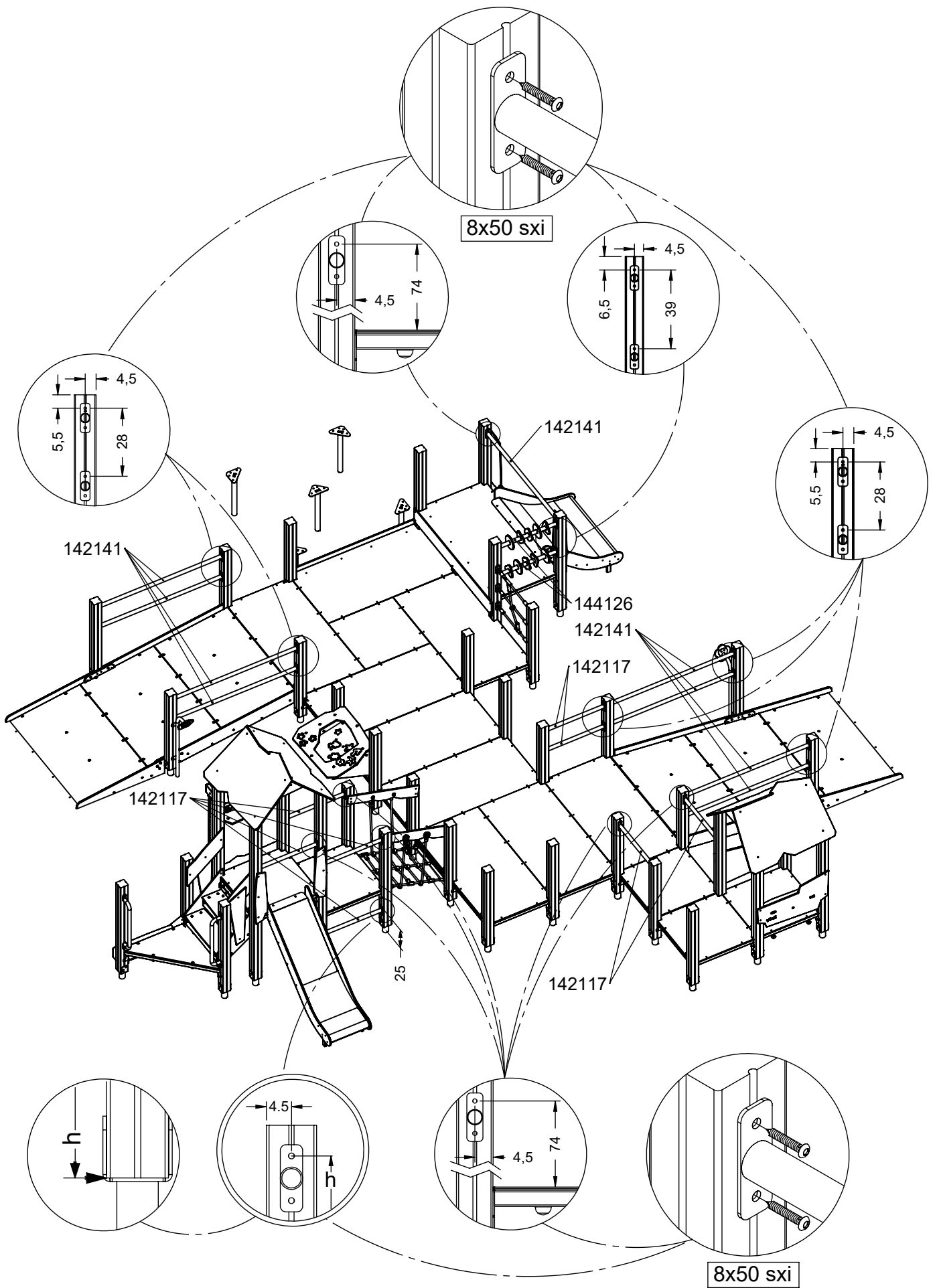
8x 8x50 sxi



[cm]



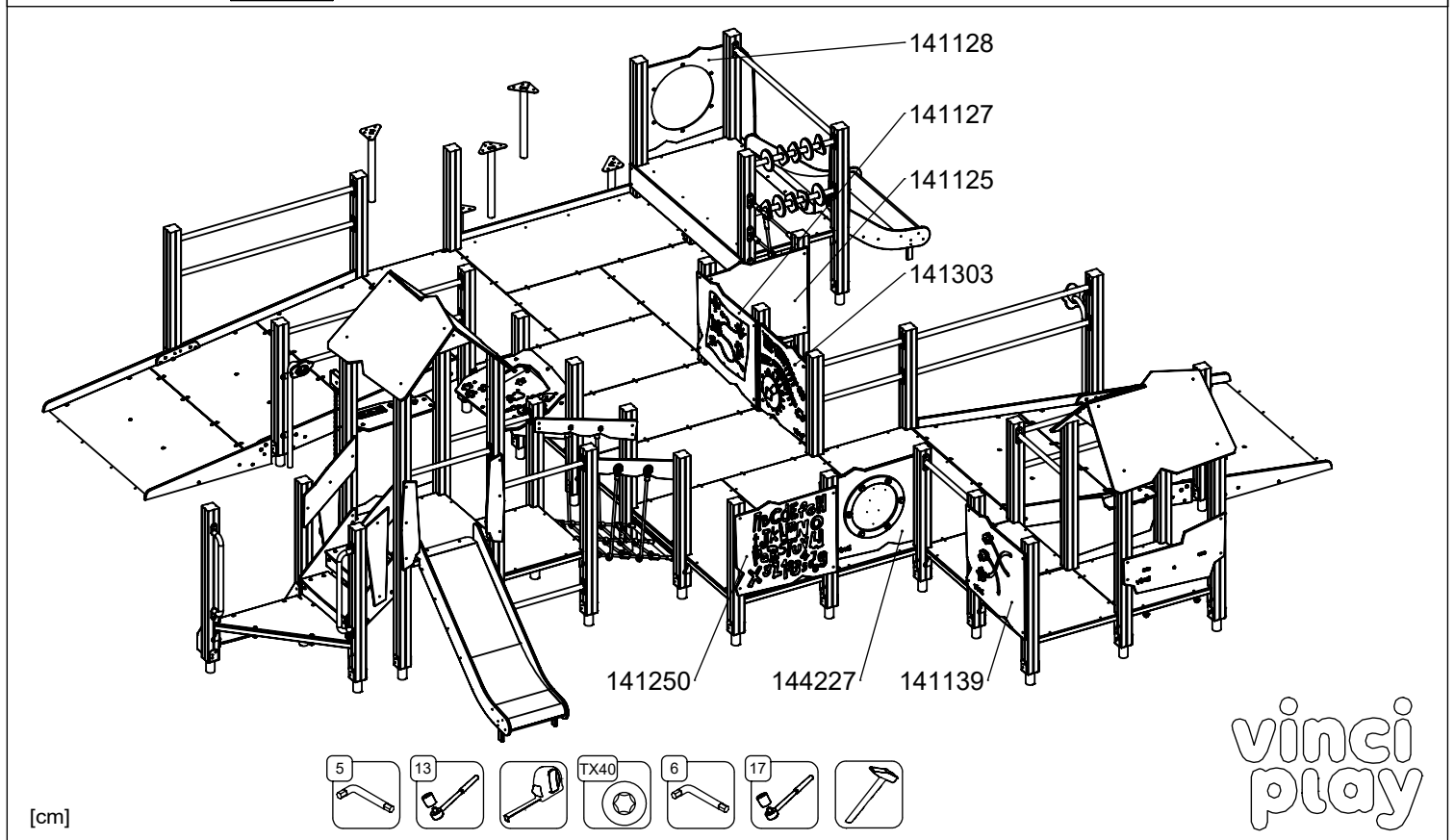
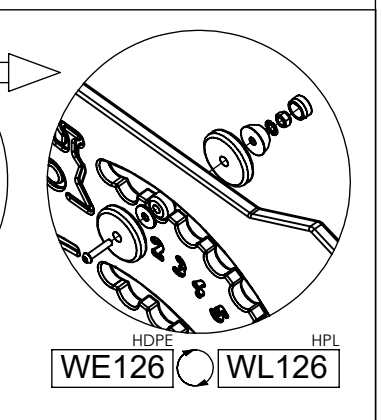
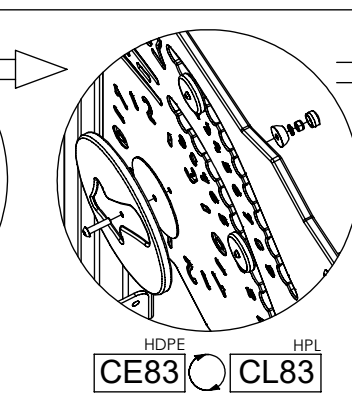
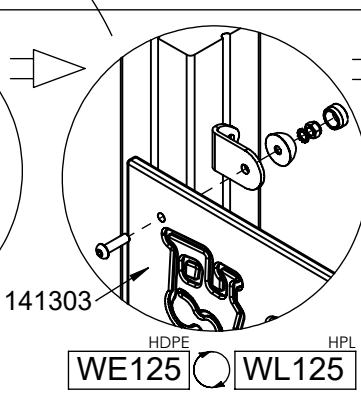
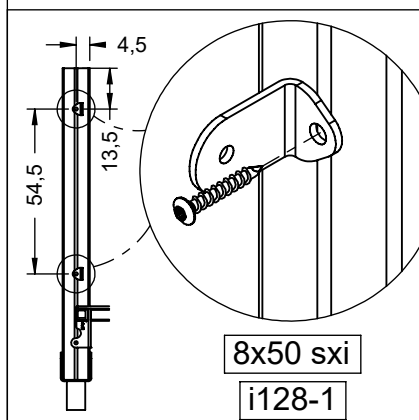
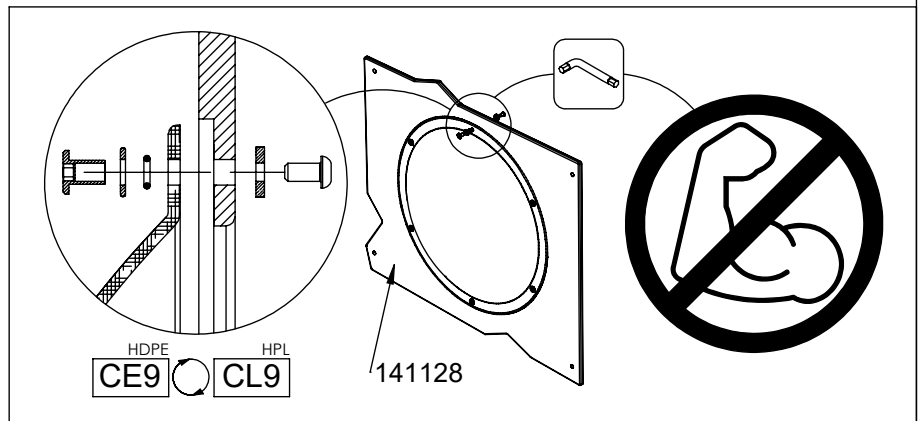
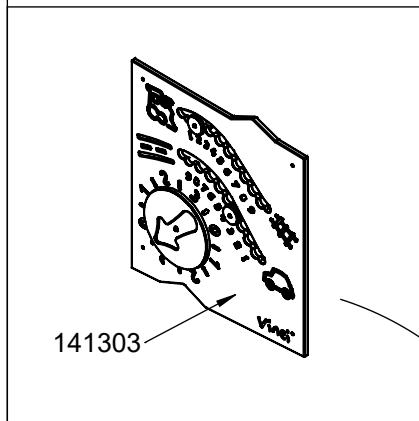
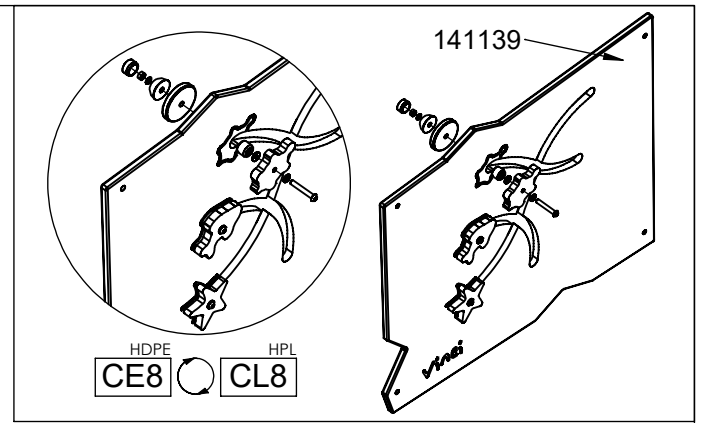
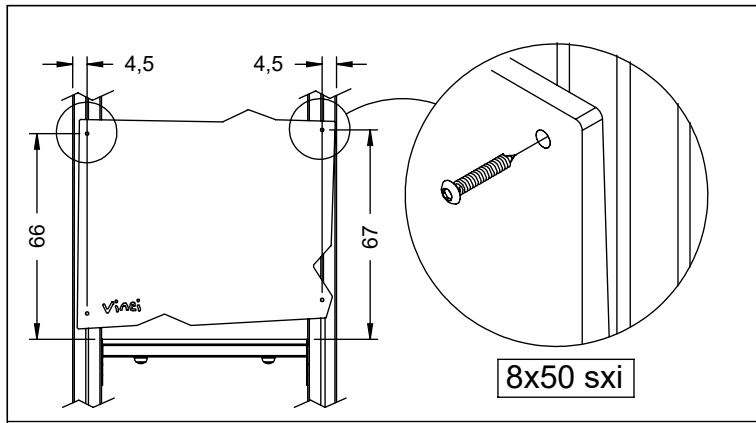
vinci play



[cm]

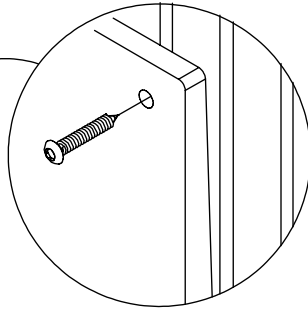
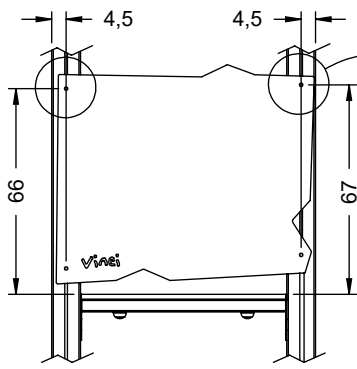


vinci
play

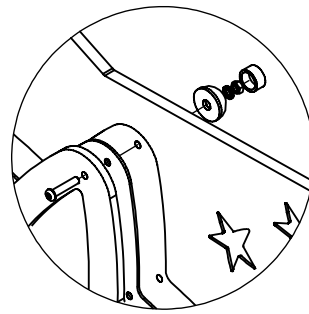


[cm]

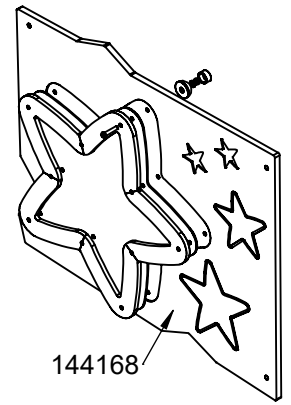
vinci play



8x50 sxi

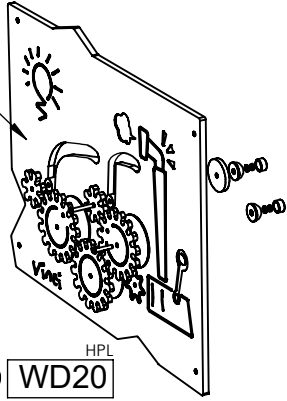


HDPE WD17  HPL WD18



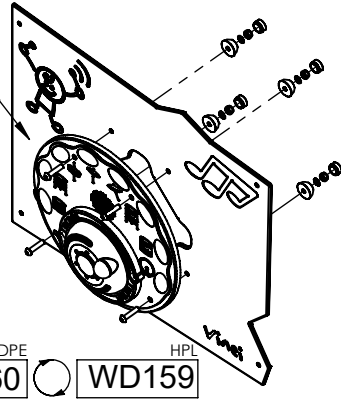
144168

144185



HDPE WD19  HPL WD20

141318



HDPE WD160  HPL WD159

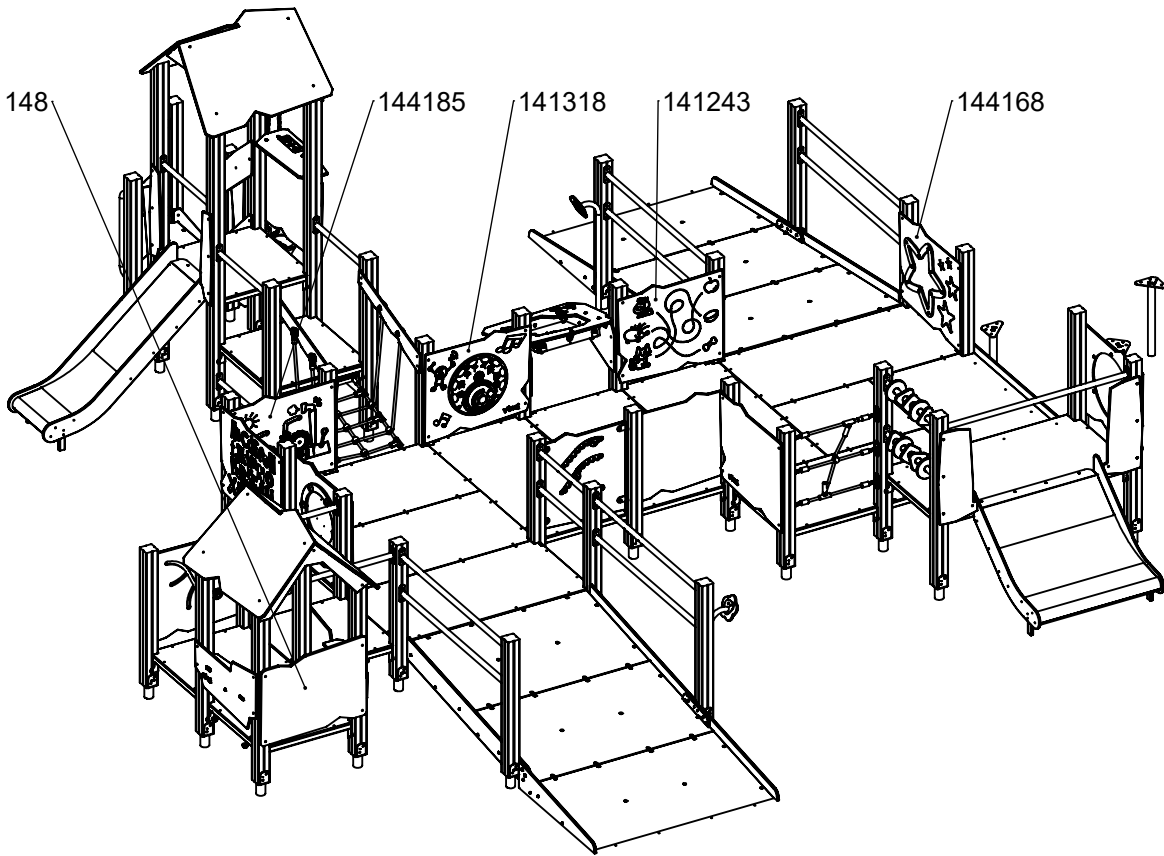
141148

144185

141318

141243

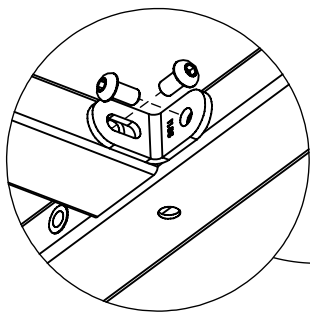
144168



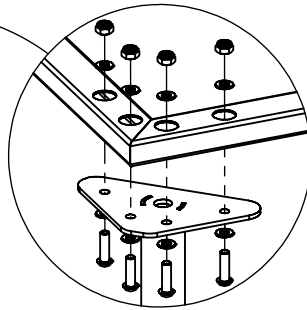
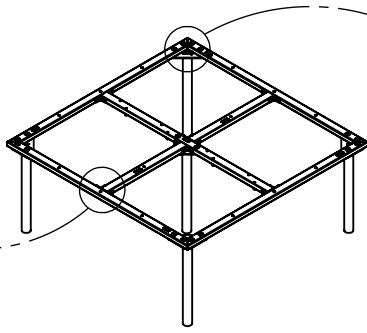
[cm]



vinci
play

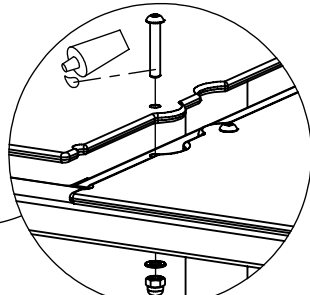
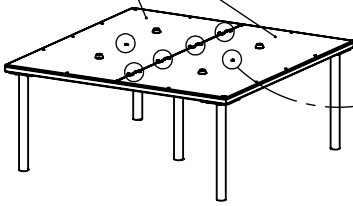


WD195

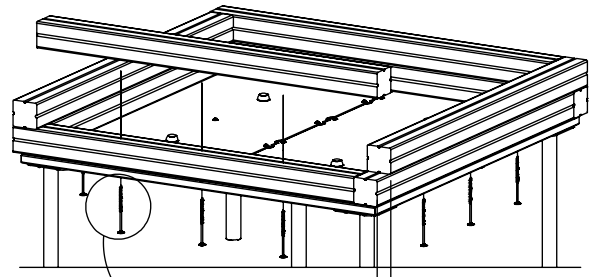


WD167

141361

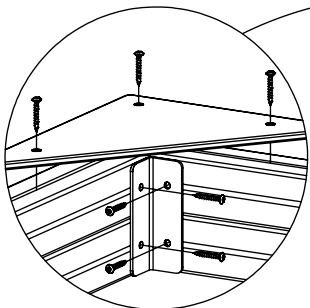


WD169

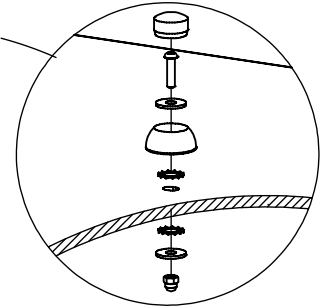
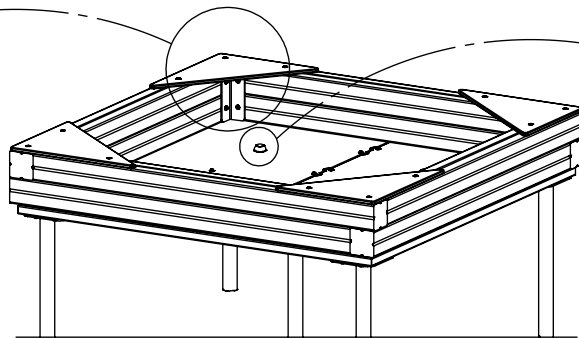


8x160 sxt

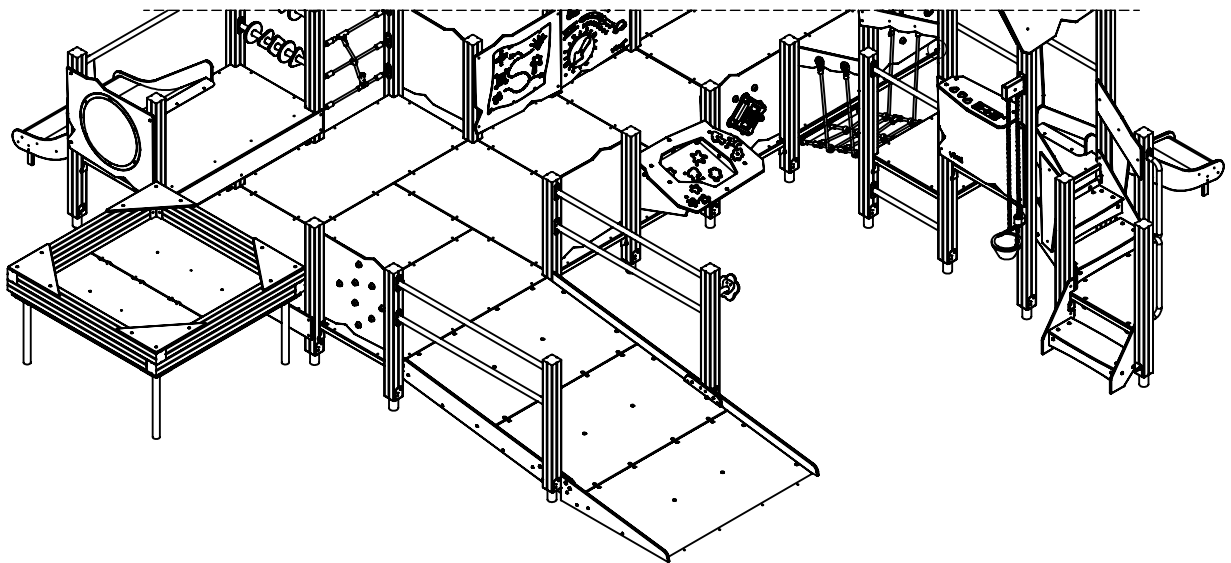
9



8x50 sxi



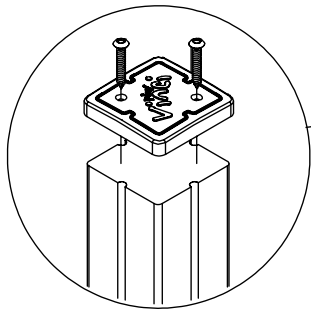
WD168



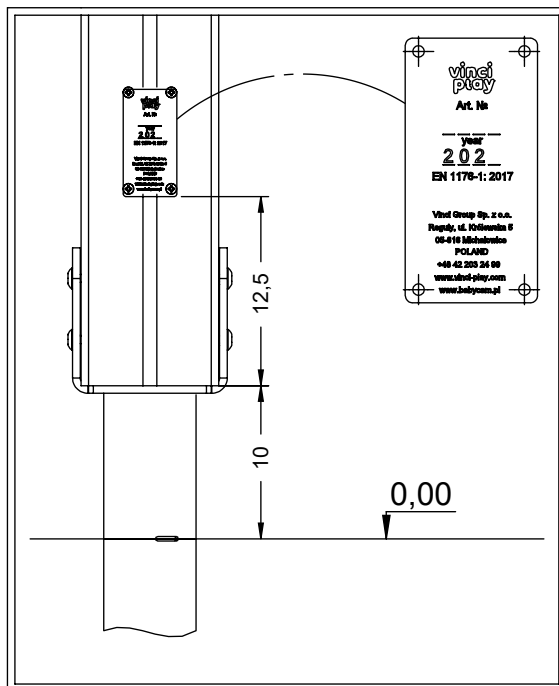
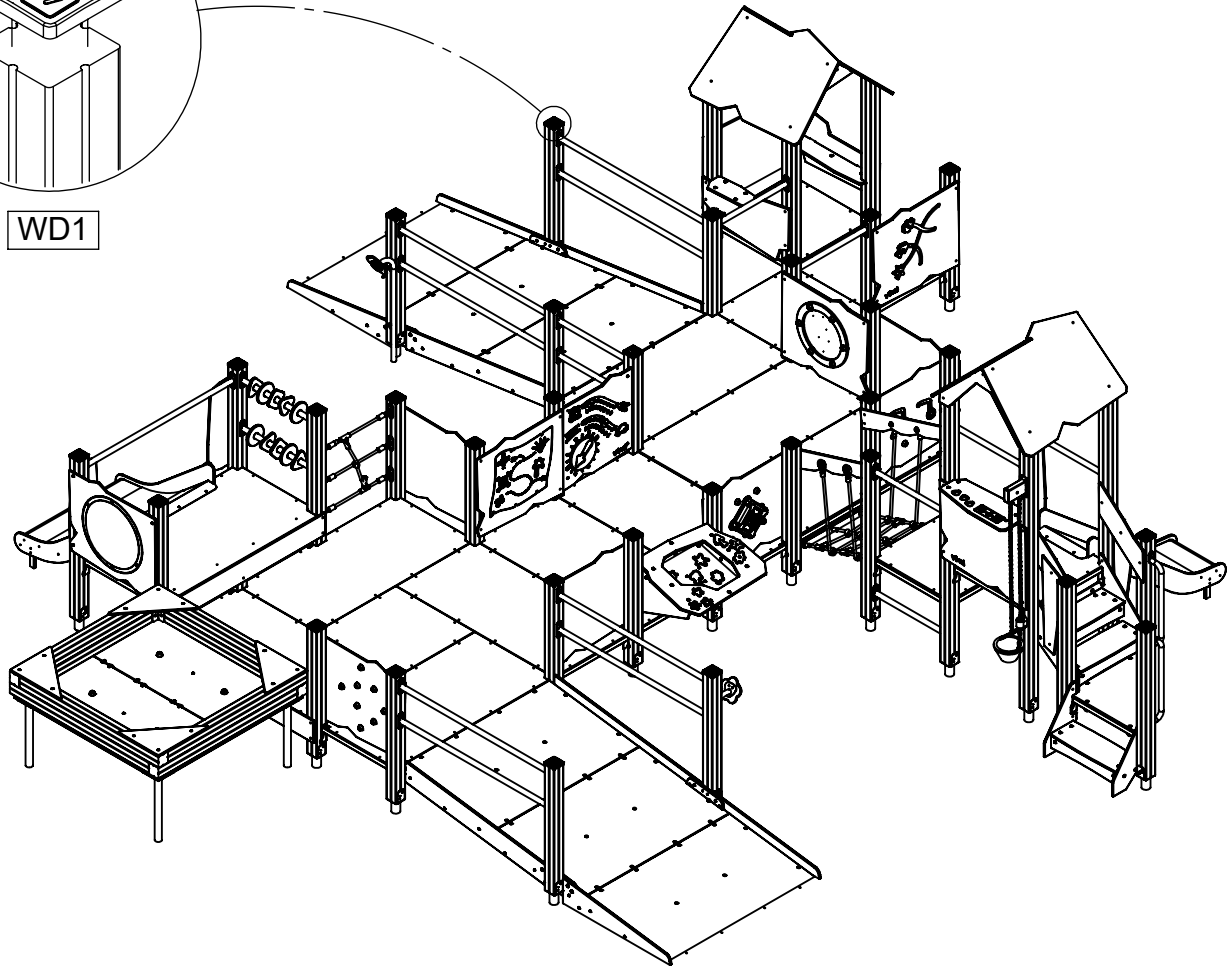
[cm]



vinci play



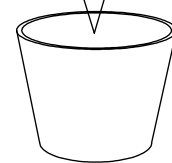
WD1



V001

Part No:
000000-
00000

000000-00000



[cm]



vinci
play