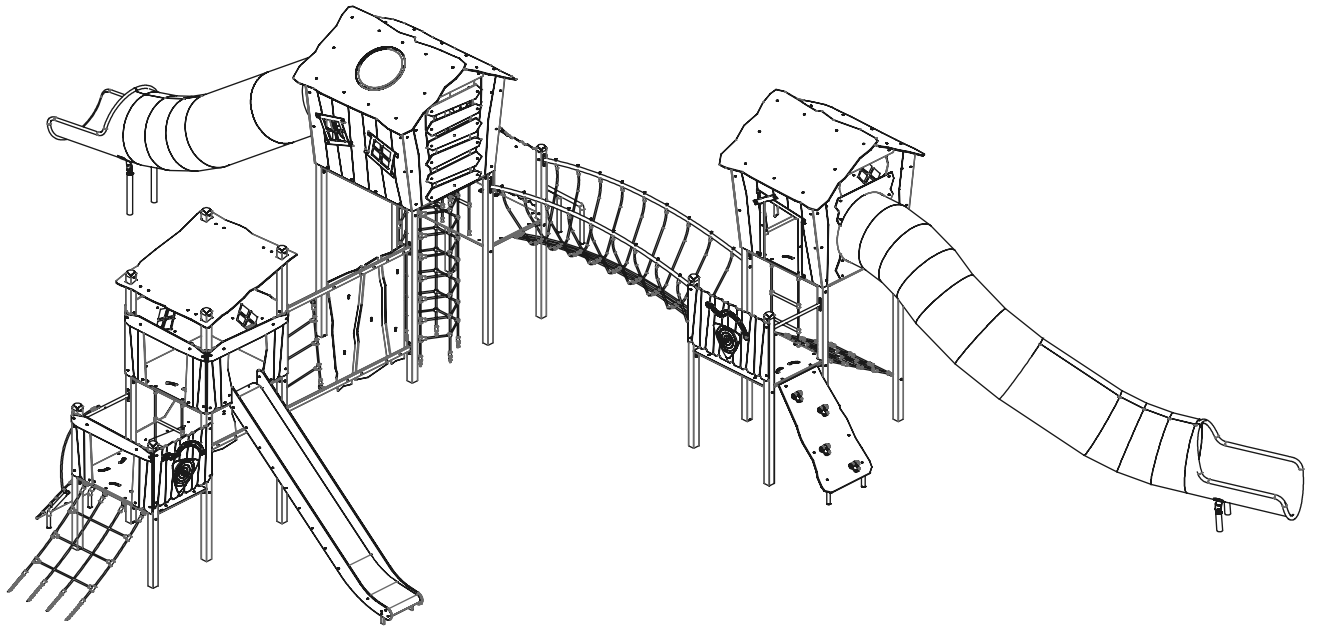
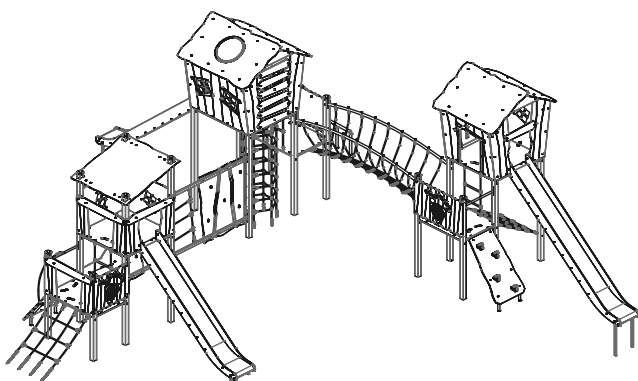


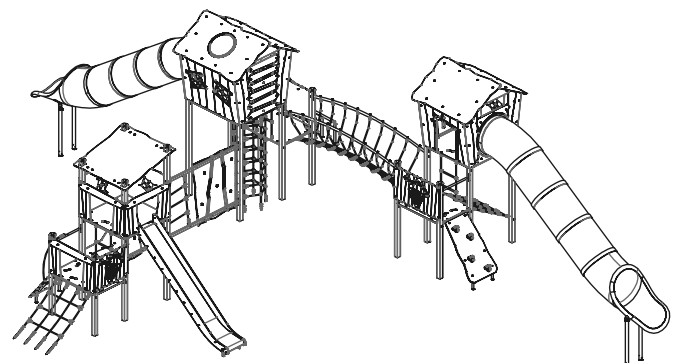
0302



0302S1

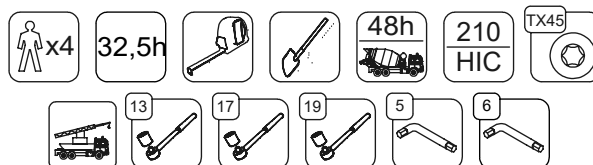


0302S2

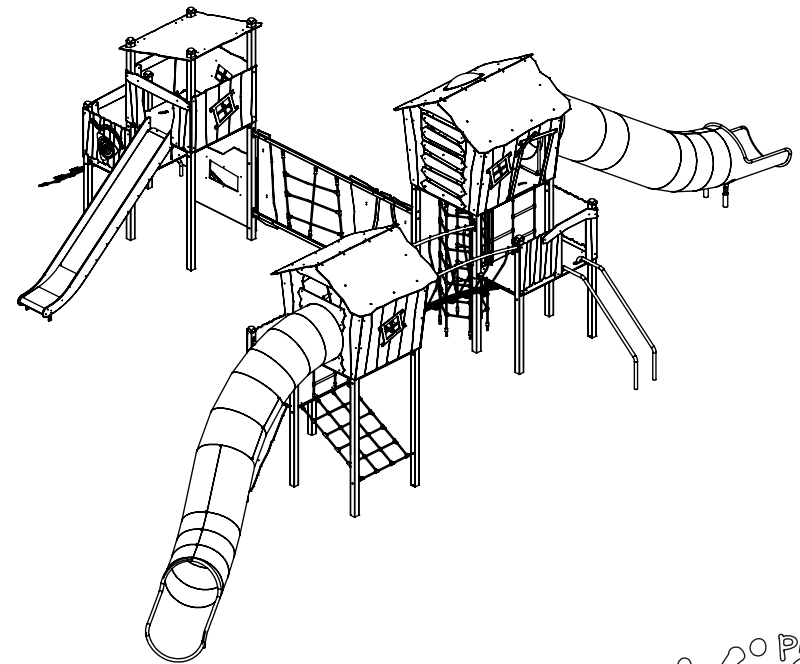
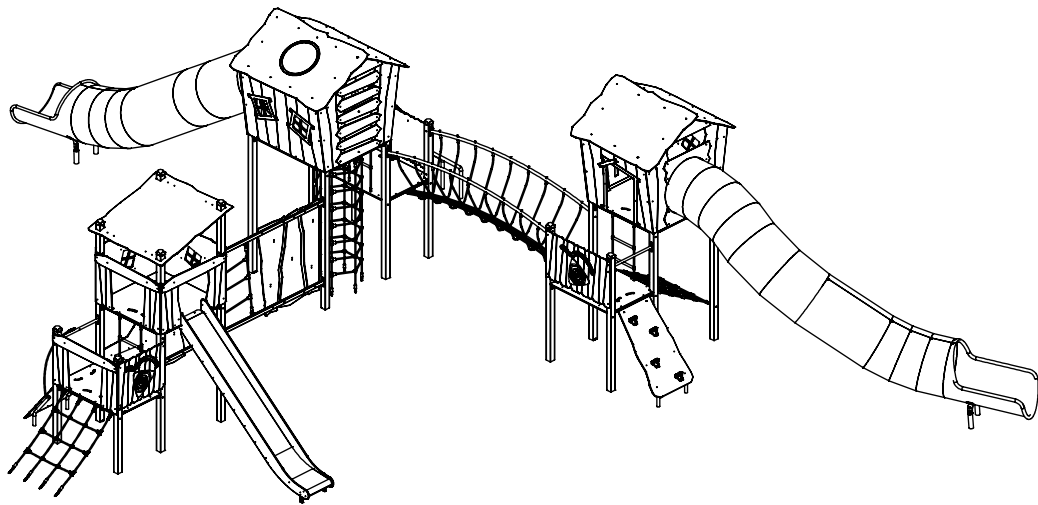
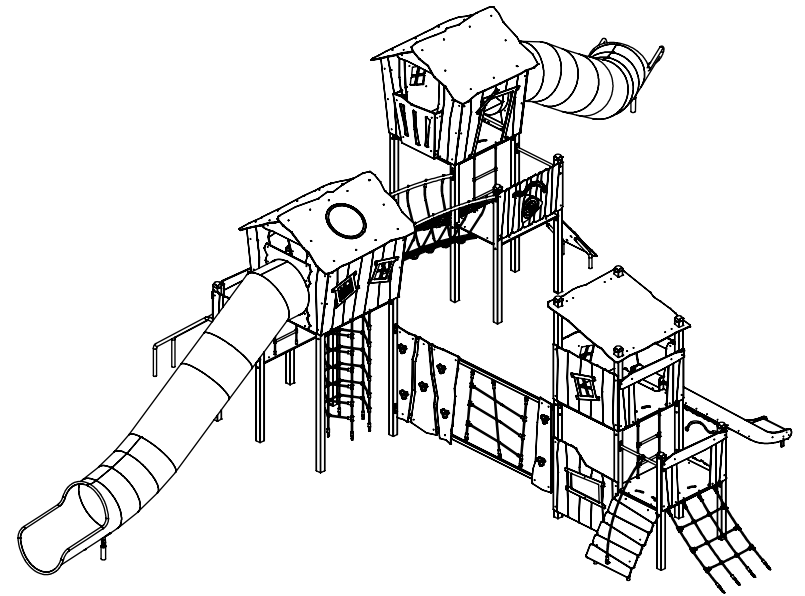
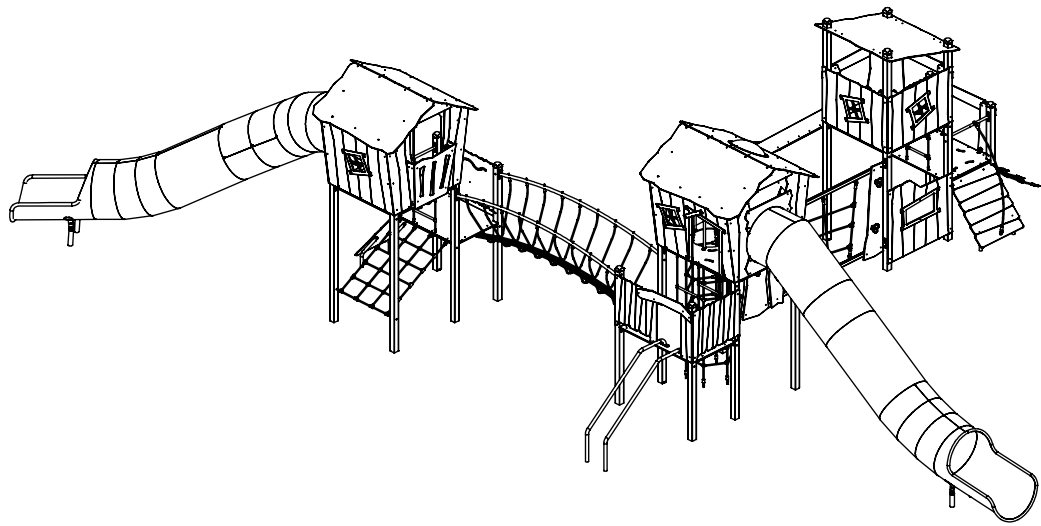


[cm]

v012
02.01.2020
I. A.



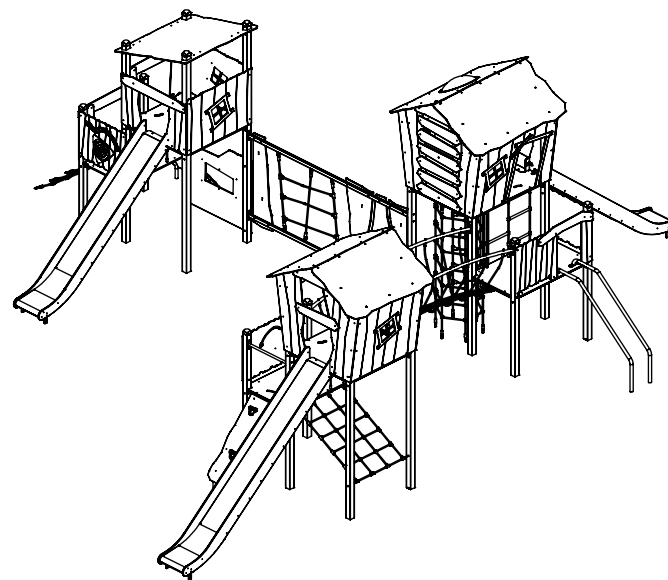
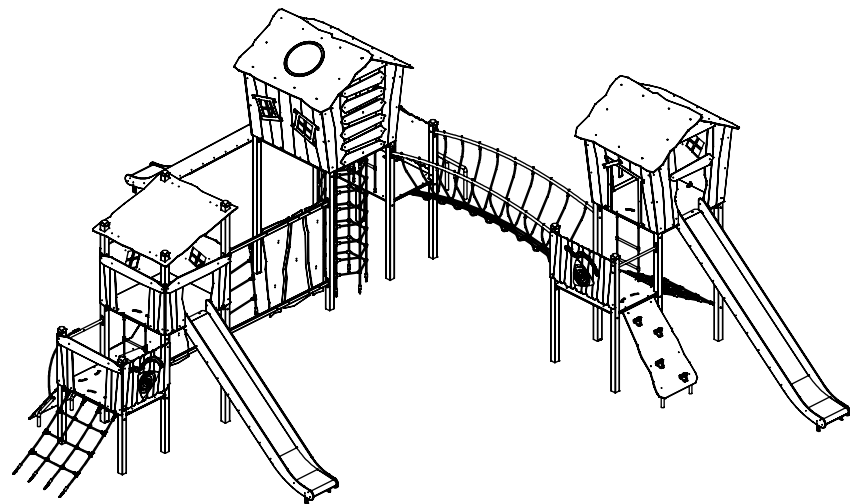
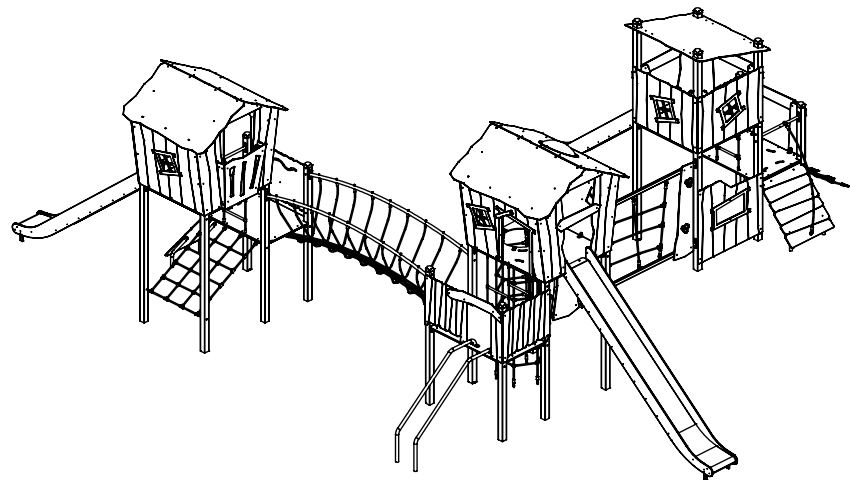
play
vinici



[cm]

play
Vinci

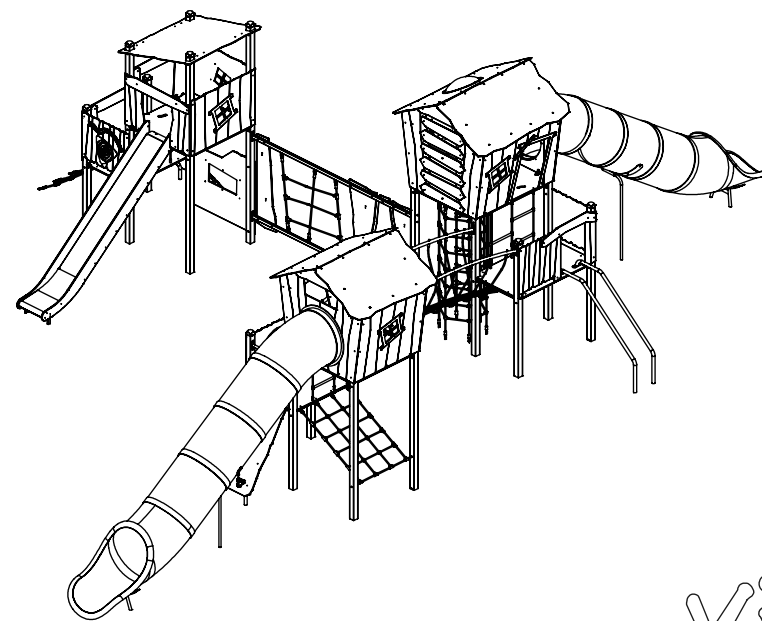
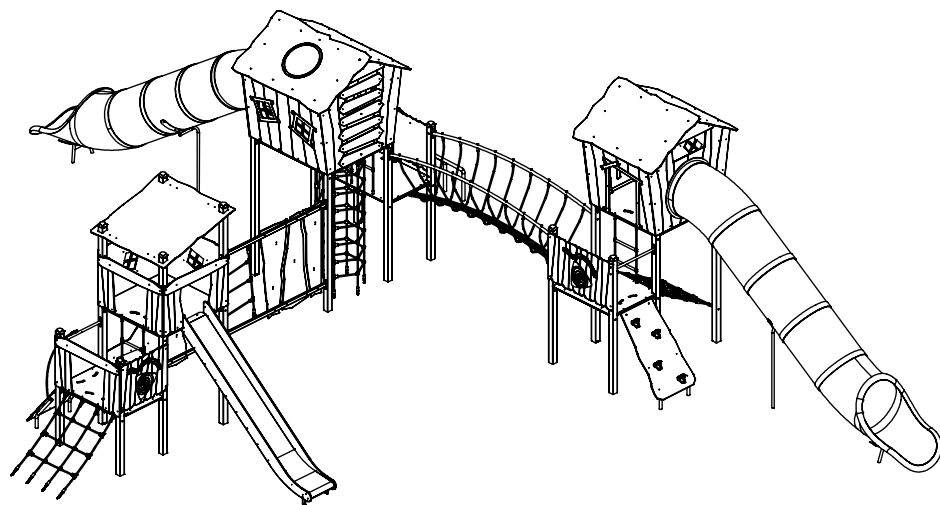
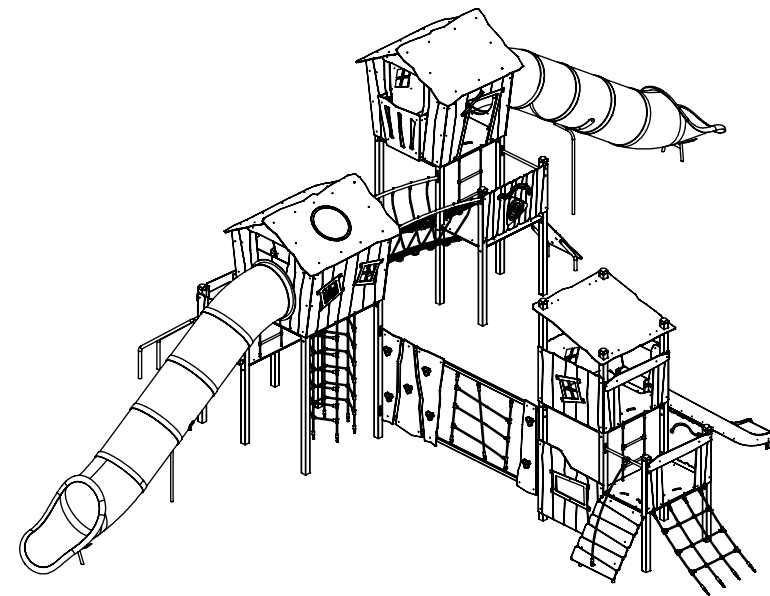
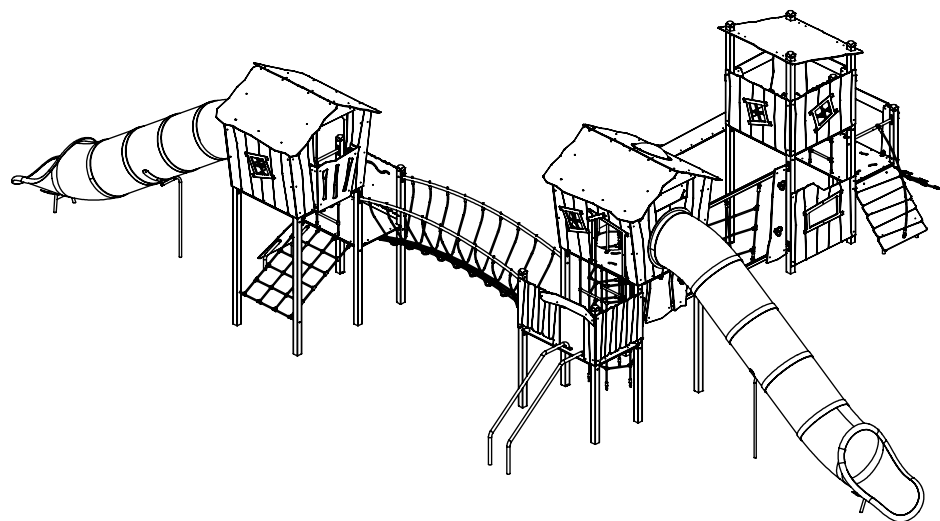
0302S1



[cm]

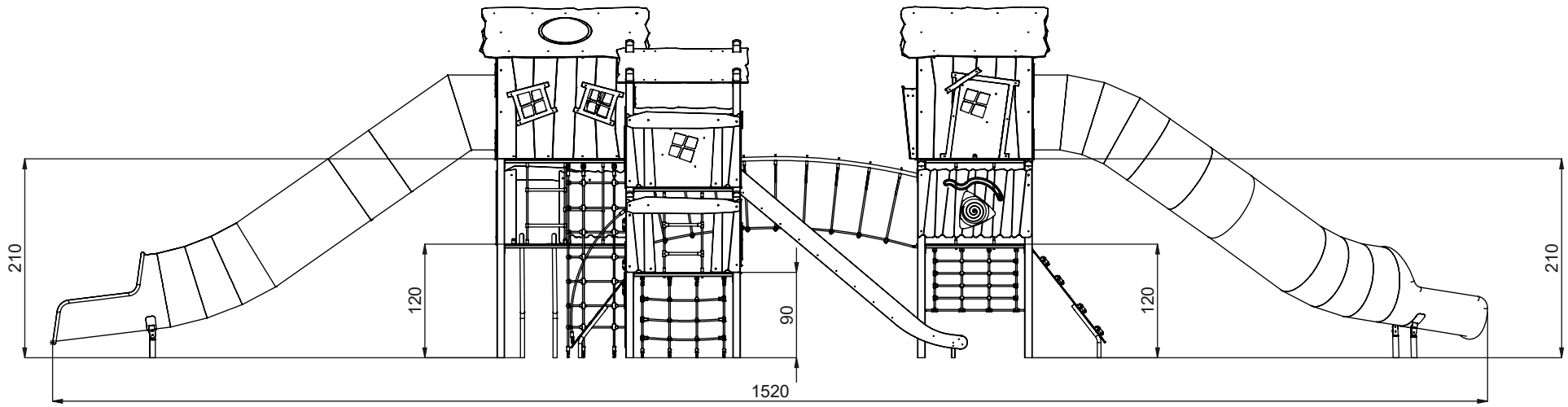
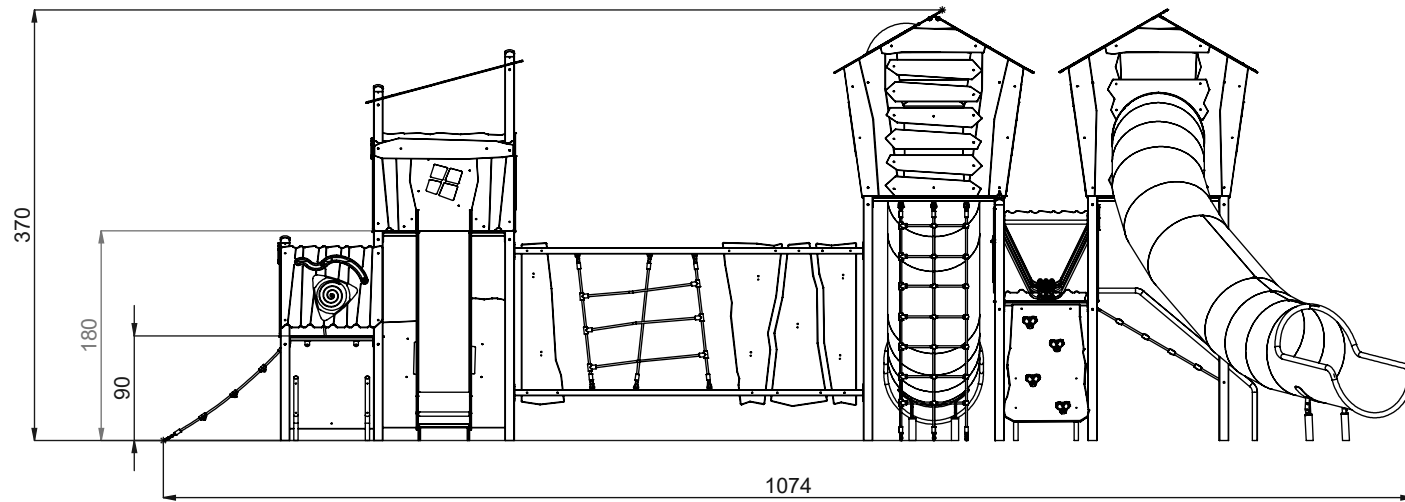
play
vinci

0302S2



[cm]

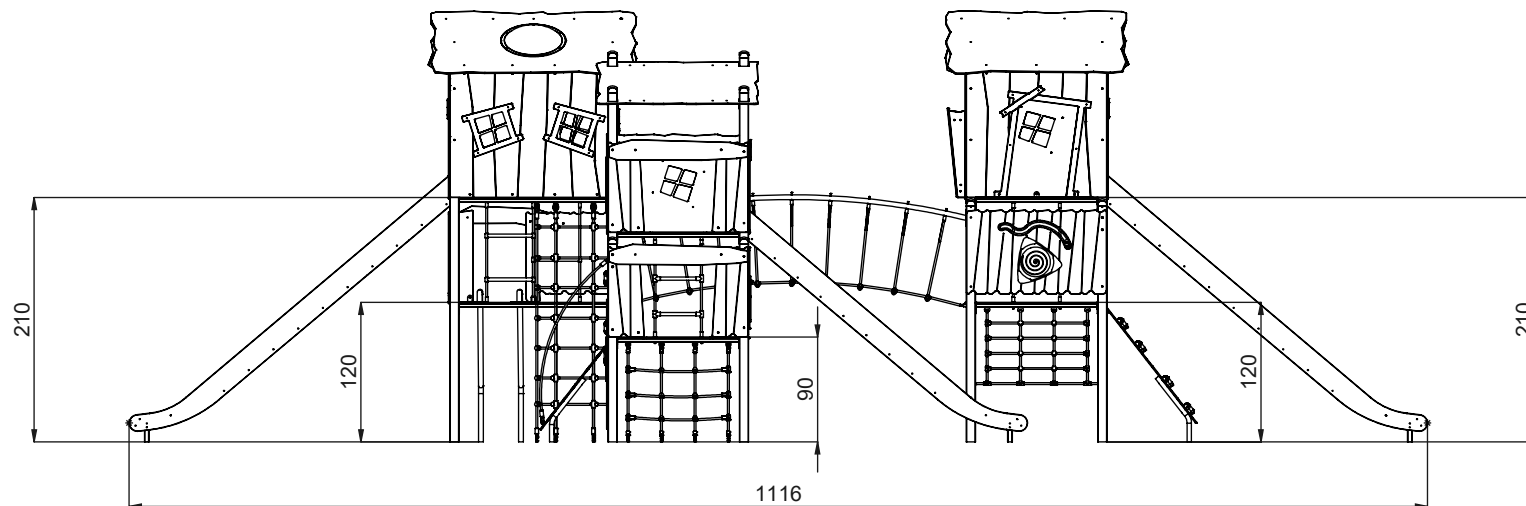
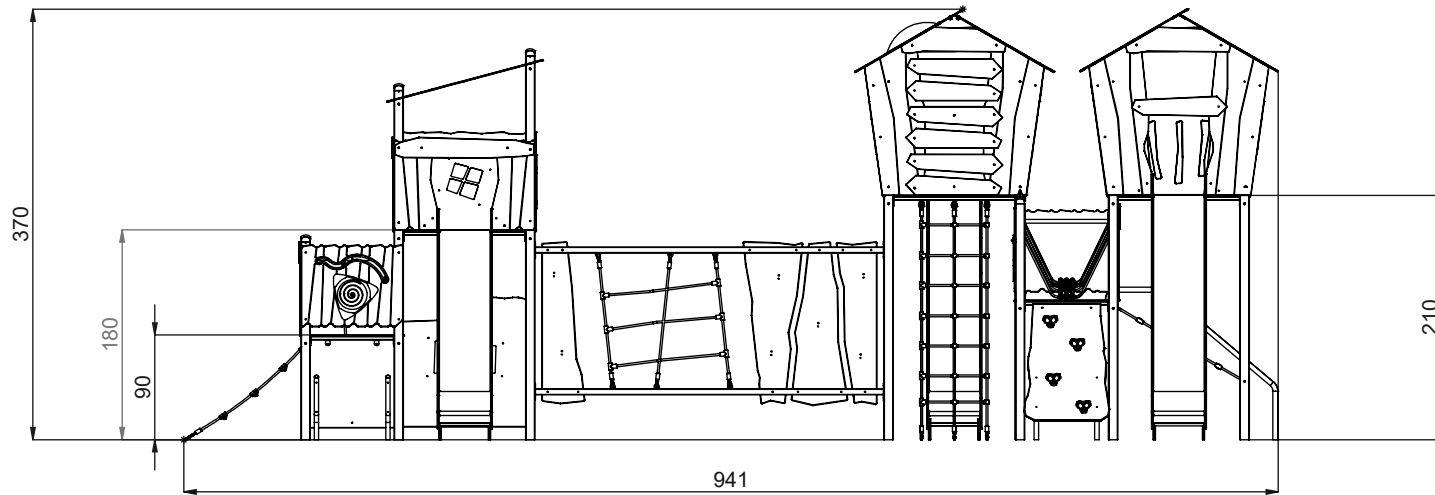
play
Vinci



[cm]

play
Vinci

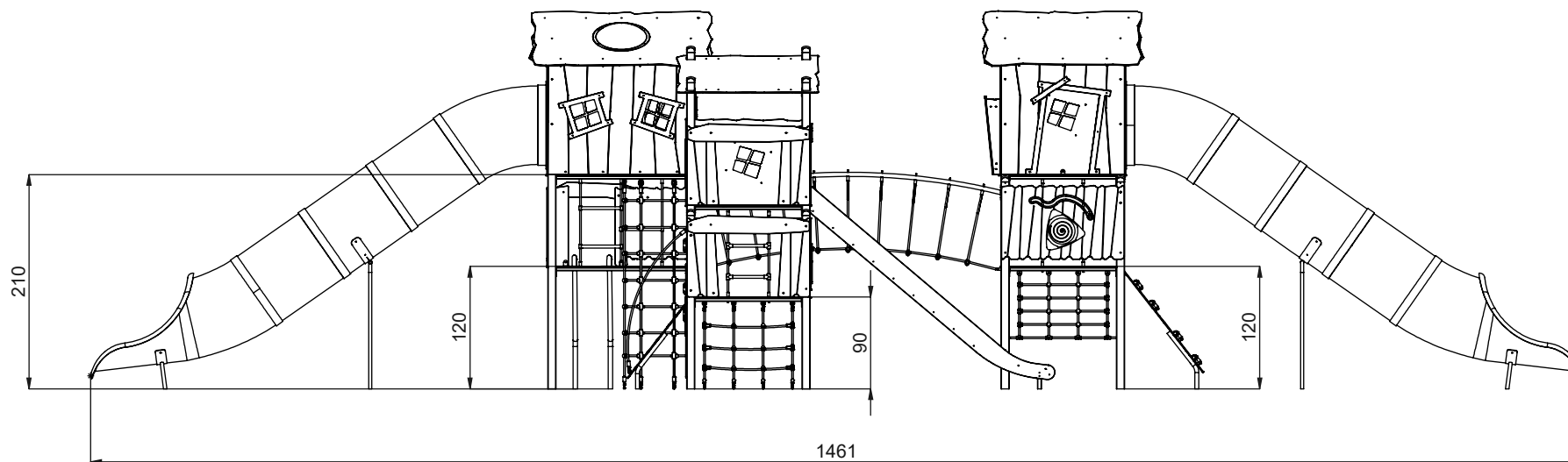
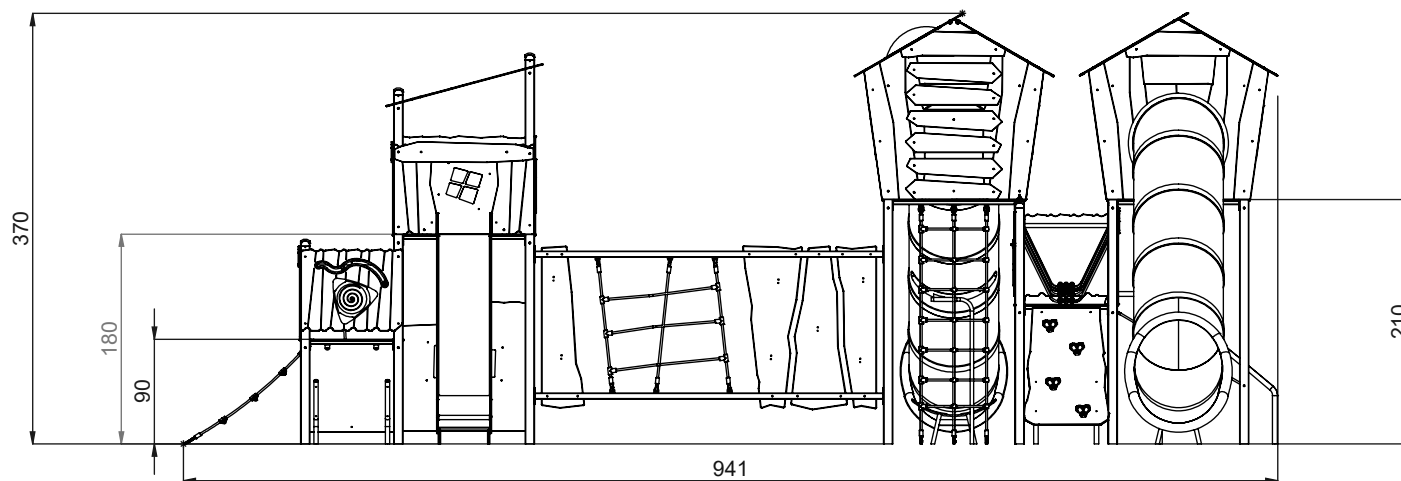
0302S1



[cm]

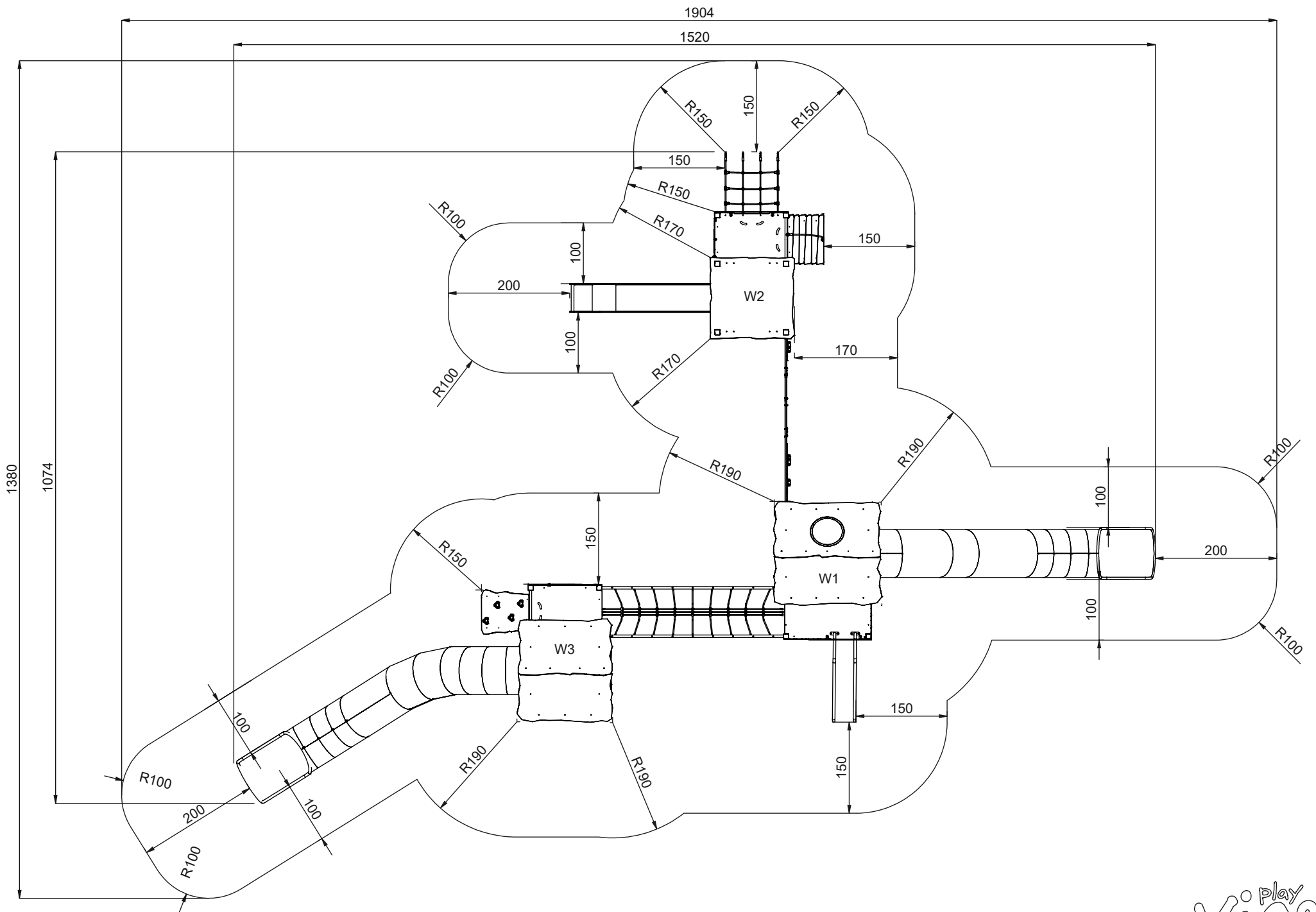
play
Vinci

0302S2



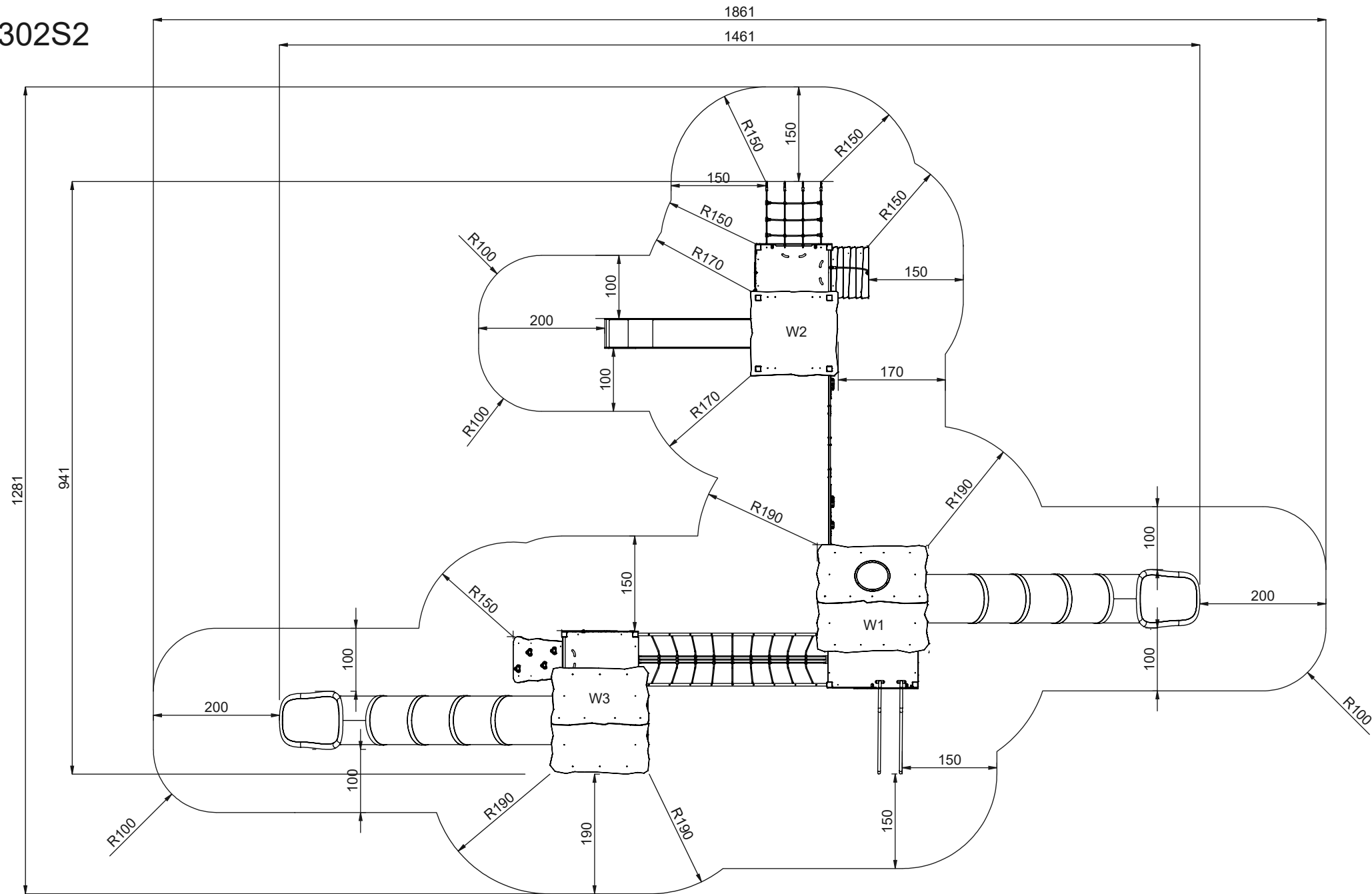
[cm]

play
Vinci



[cm]

0302S2


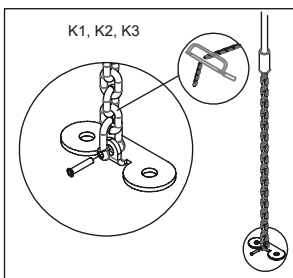
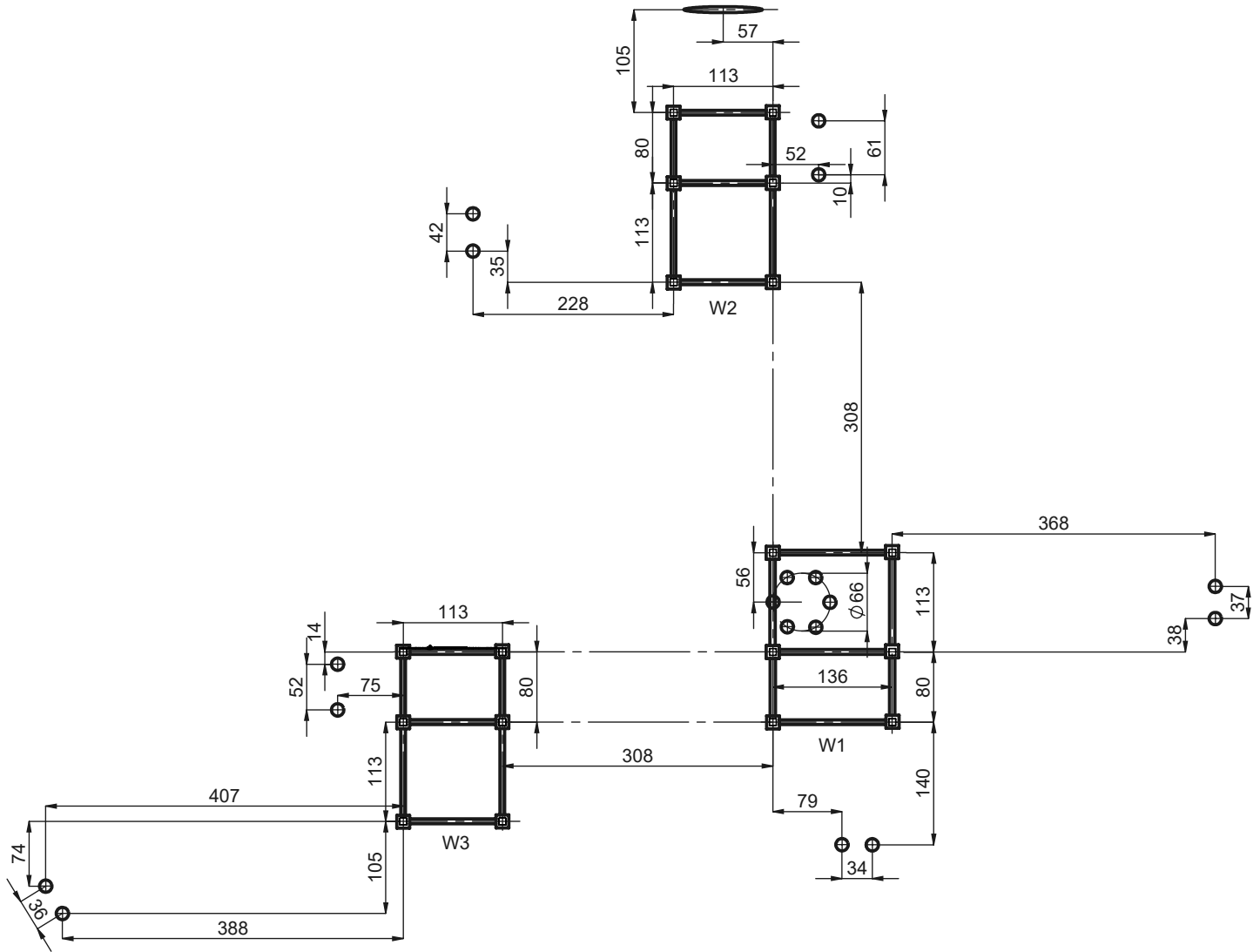
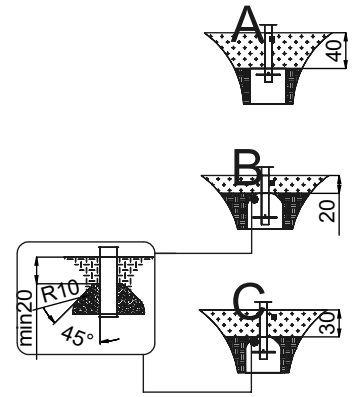
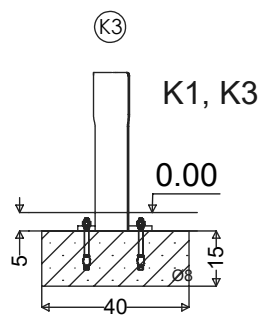
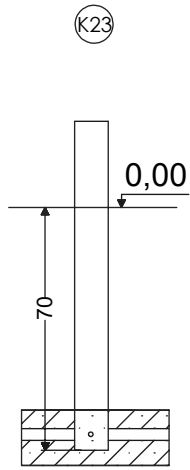


[cm]

play
Vinci

M10x120
x68
M8x120
x10

NOT INCLUDED

[cm]







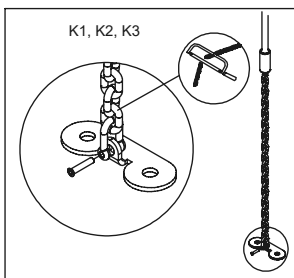
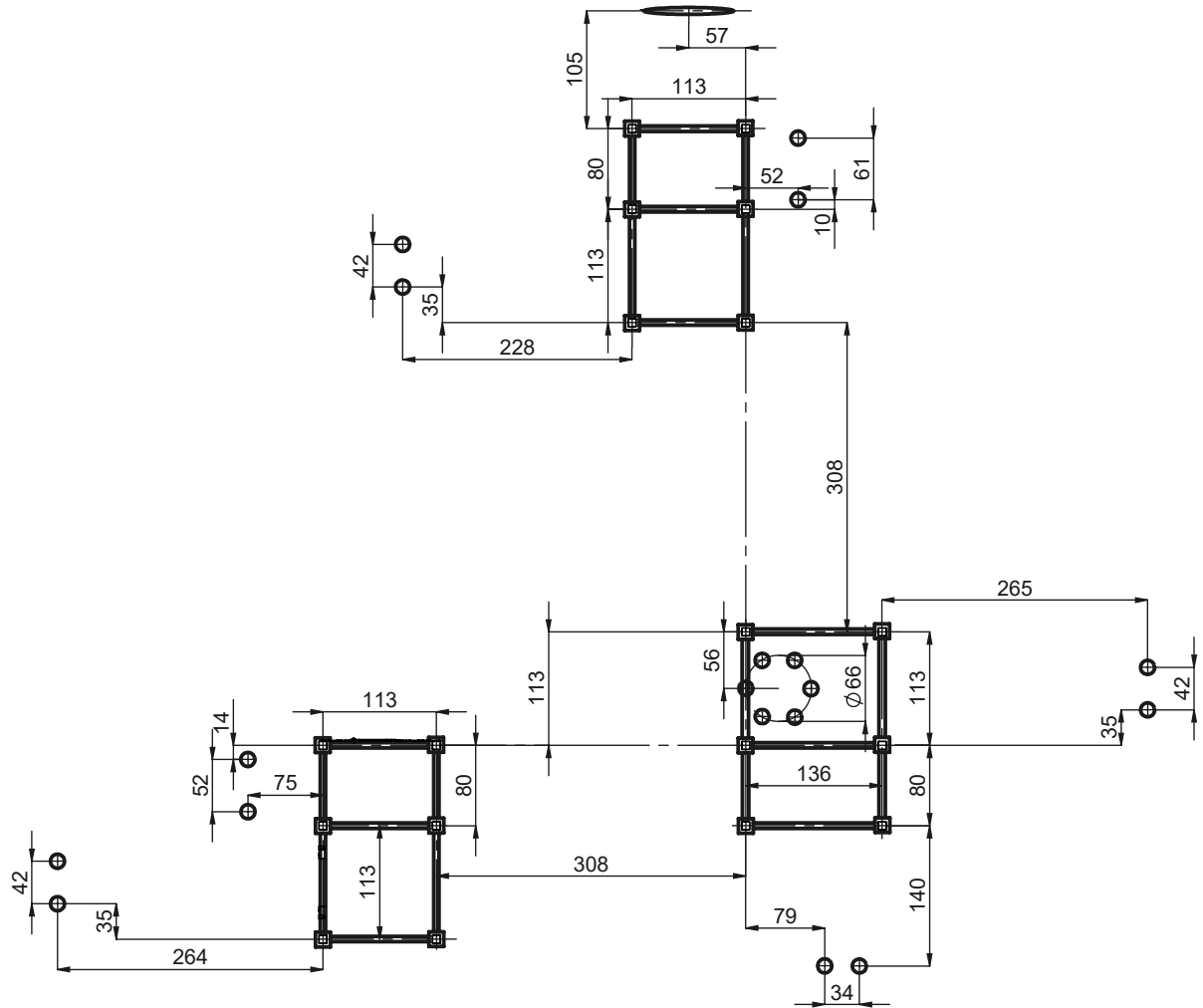
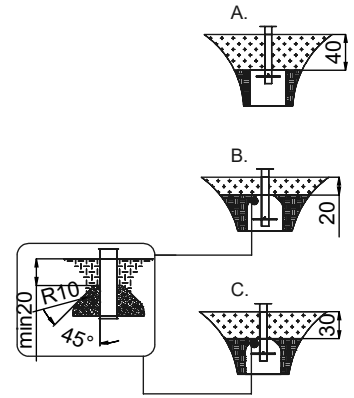
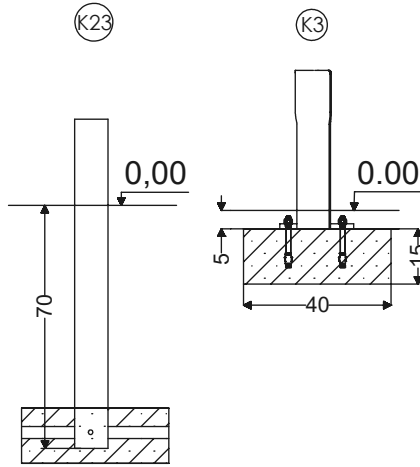
32,5h



viac play
viaci

0302S1

	K1, K3
M10x120 x68	
M8x120 x10	
NOT INCLUDED	







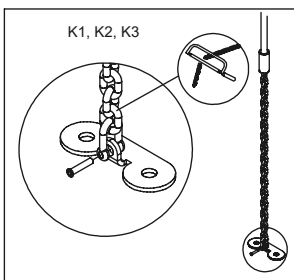
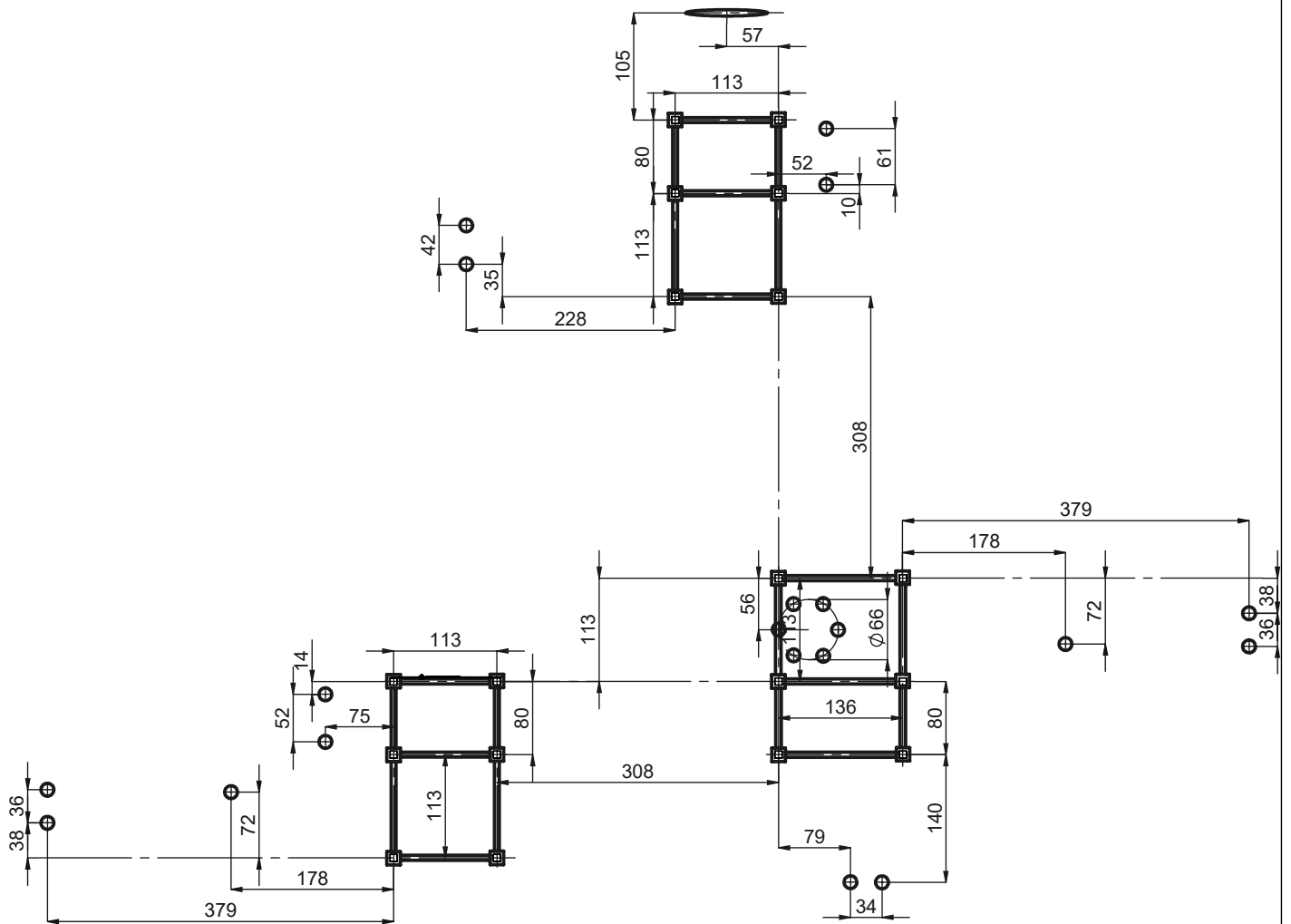
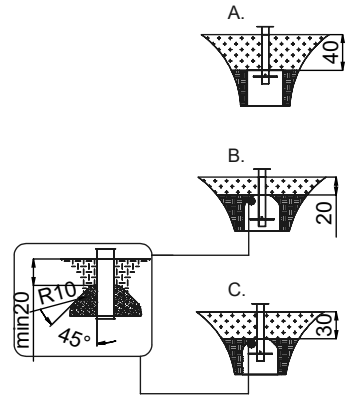
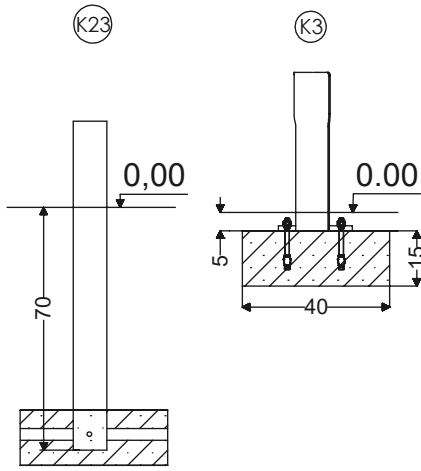
[cm]

 x4	32,5h			48h
--	-------	---	---	-----

play
Viinci

0302S2

	K1, K3
M10x120 x68	
M8x120 x10	
NOT INCLUDED	



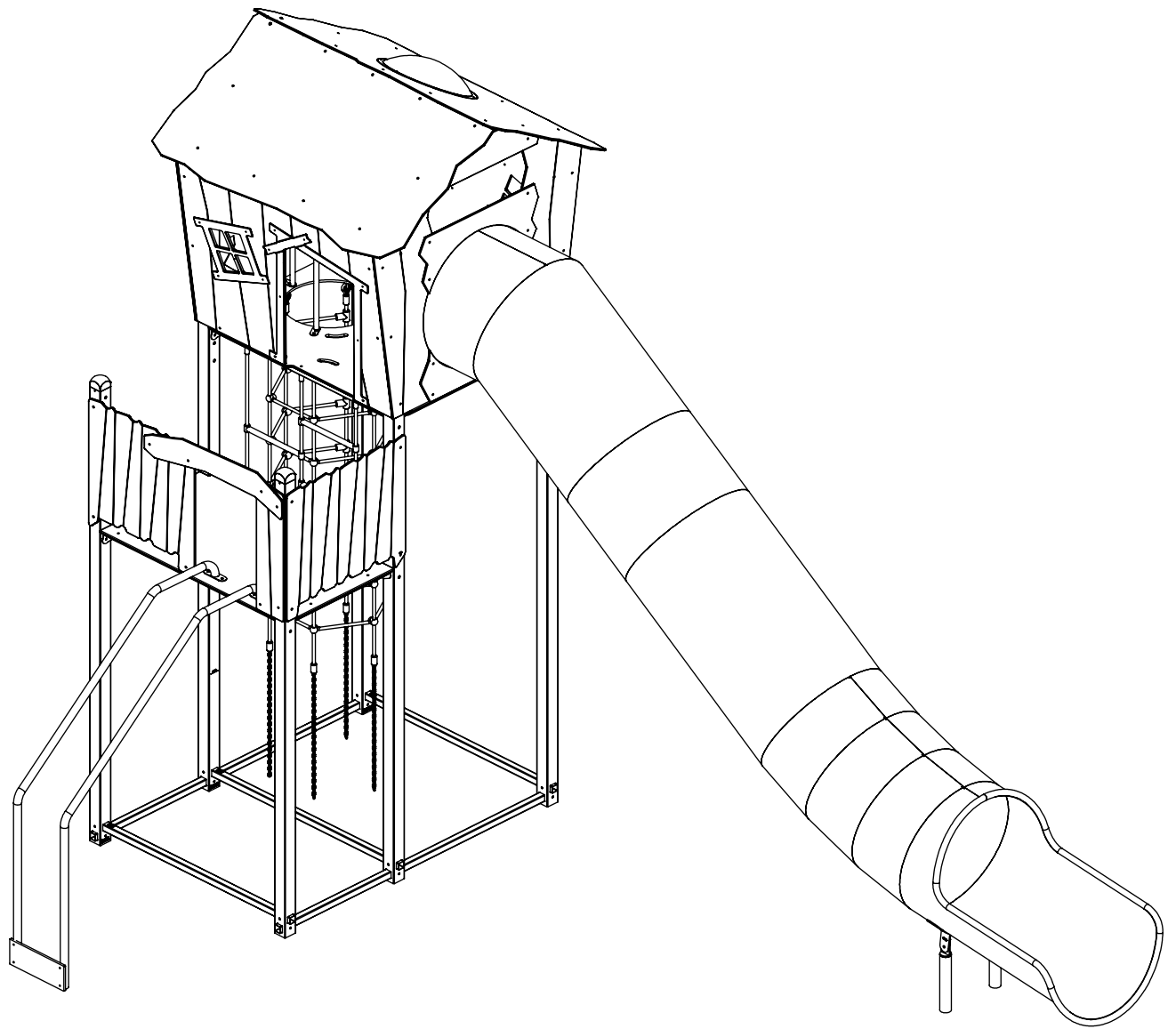
[cm]



32,5h



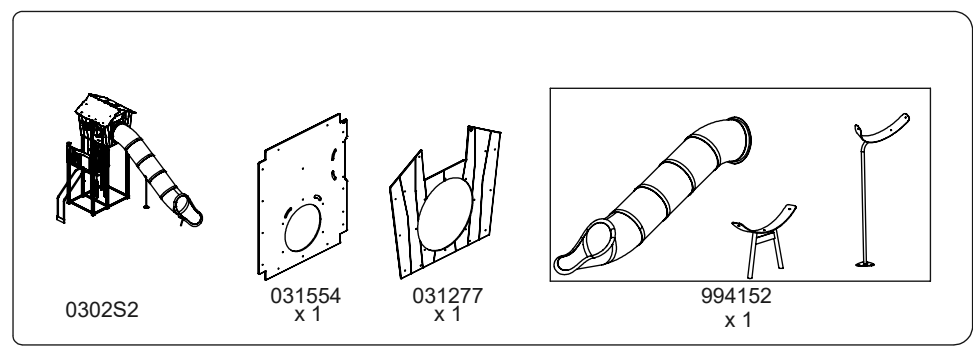
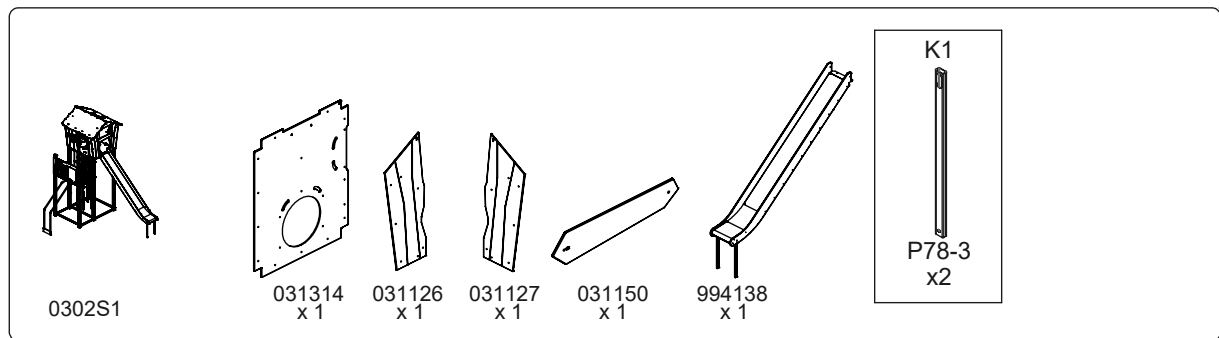
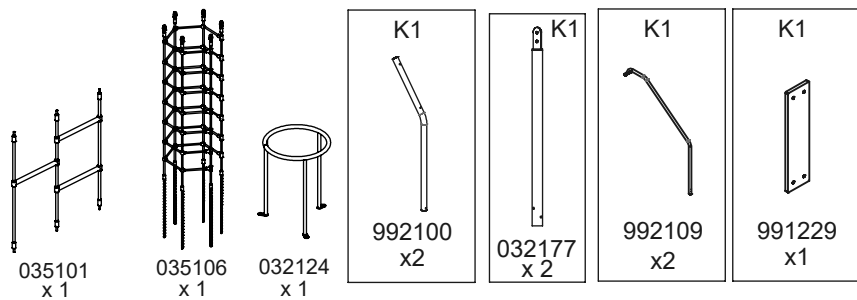
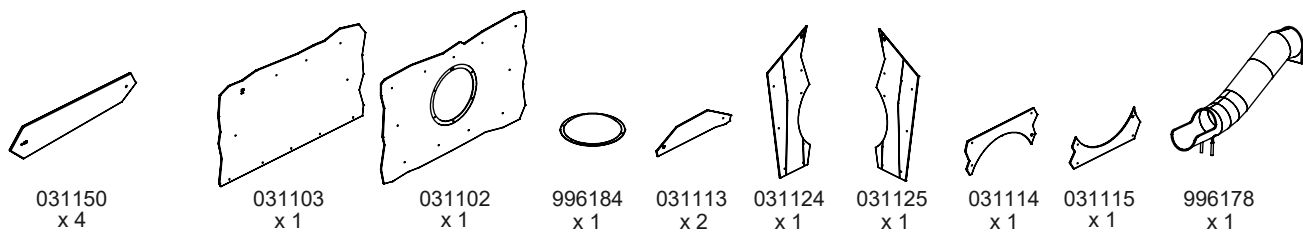
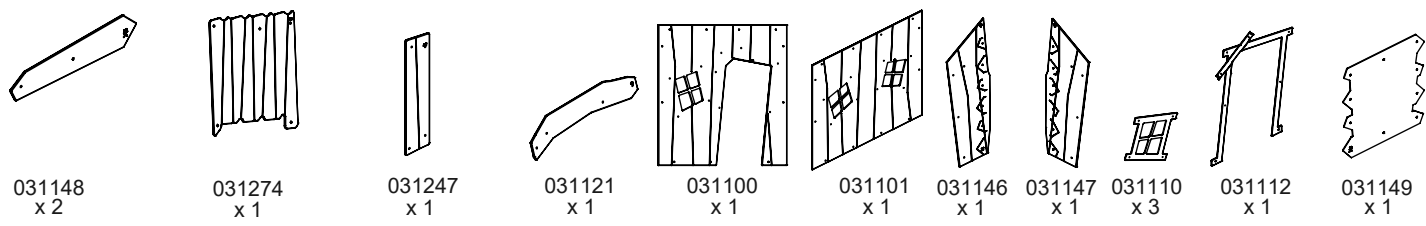
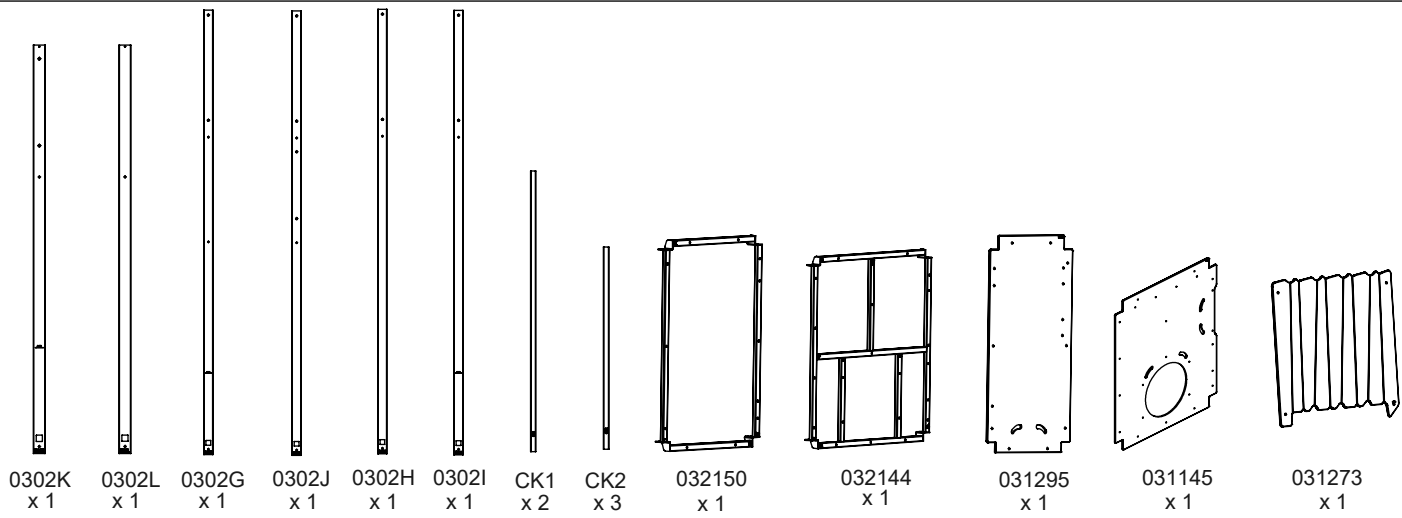
viplay
Vinci



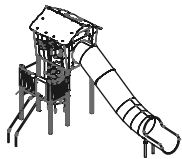
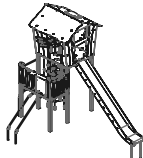

W1

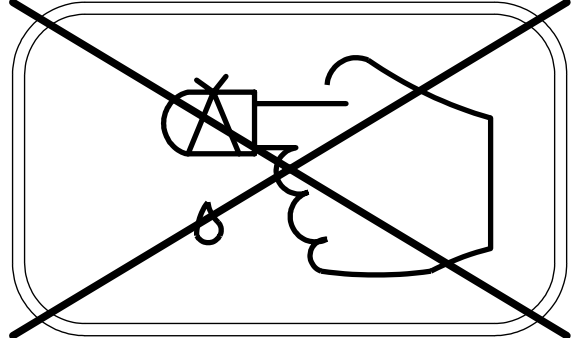
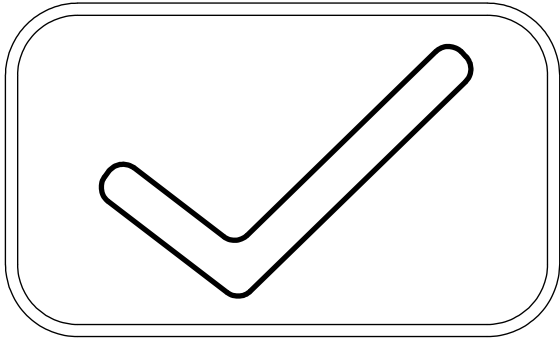
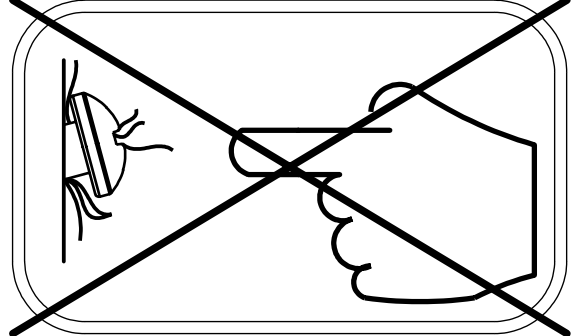
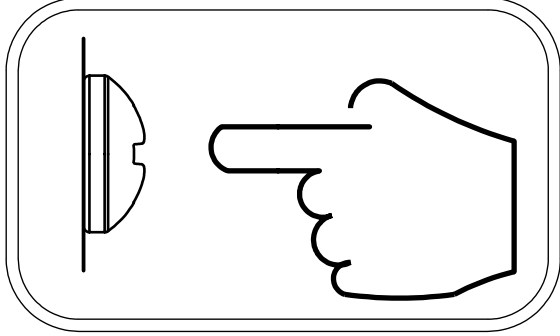
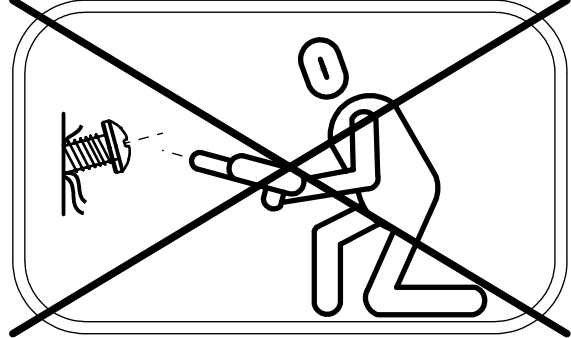
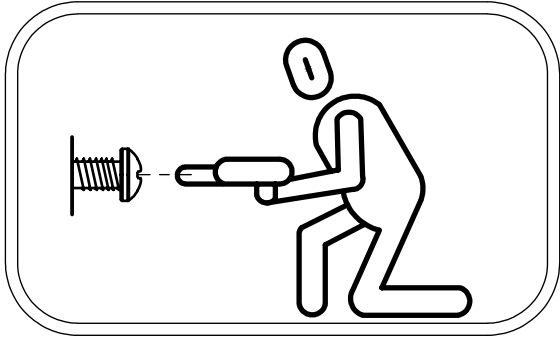
[cm]

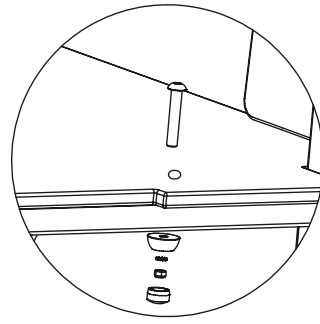
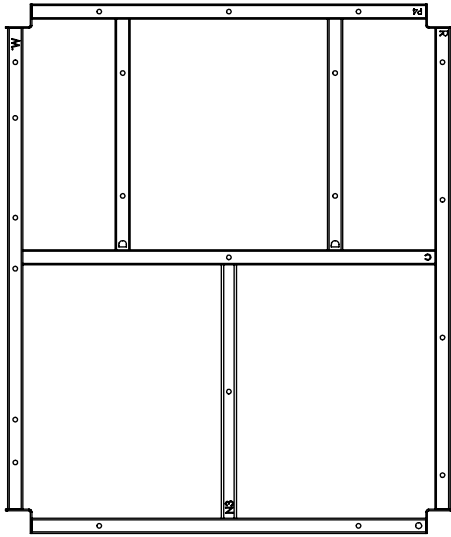
play
Vinci



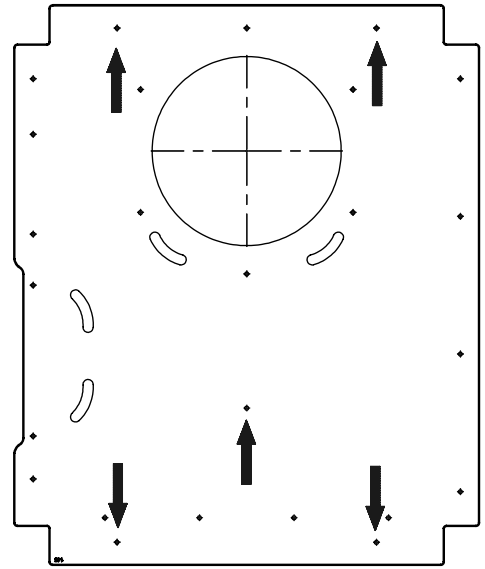
3 x CR1	4 x CR45
5 x CR2	2 x CR68
1 x CR3	4 x CR24
1 x CR4	1 x CR25
2 x CR6	1 x CR28
2 x CR10	4 x CR110 (C5H)
	1 x CR36
2 x CR11	2 x CR40
1 x CR14	6 x CR47
2 x CR15	1 x E7
2 x CR17	1 x E44 (K1)
1 x CR18	1 x CL9
7 x CR20	2 x CR98
1 x CR23 (C5H)	1 x CR113
1 x CR87 (C9H)	1 x CR111 (C9H)
3 x CR91	1 x CR112 (C5H)
1 x V001	2 x CR24 (C9H)
4 x CR109 (C9H)	2 x CR22 (C5H)

		
0302S3	0302S1	0302S2
4 x CR24 (C9H)	1 x CR24 (C9H)	1 x CR106
1 x CR8	1 x CR7	1 x CR7
1 x CR102	1 x CR29 (S1)	1 x CR18
1 x CR45	1 x E34 (K1)	1xE179
4 x CR22 (C5H)	1 x CR18	
	1 x CR22 (C5H)	
	1 x CR89 (S6)	

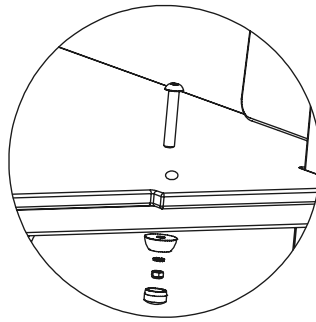
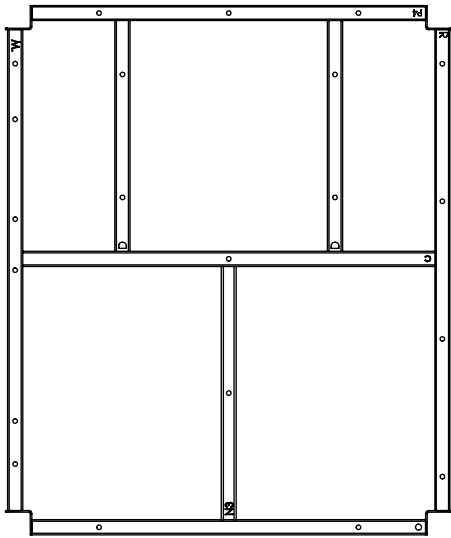




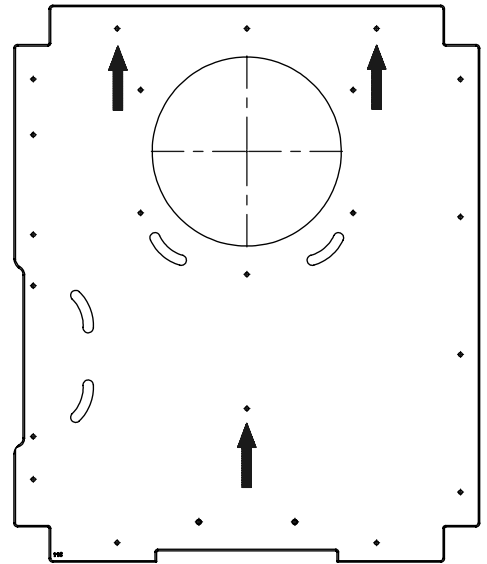
1 x CR45 (S3)
 1 x CR45
 1 x CR68



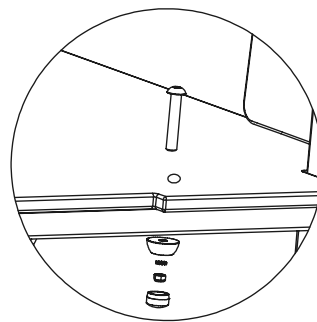
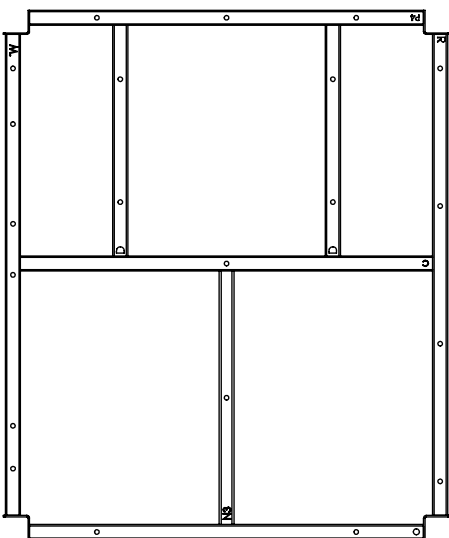
0302S3



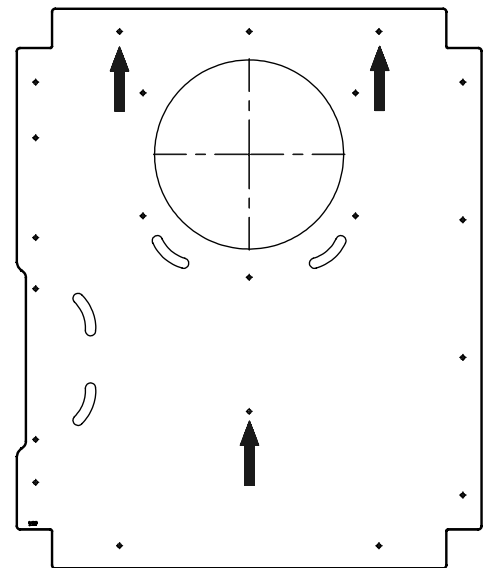
1 x CR68
 1 x CR45



0302S1



1 x CR45
 1 x CR68

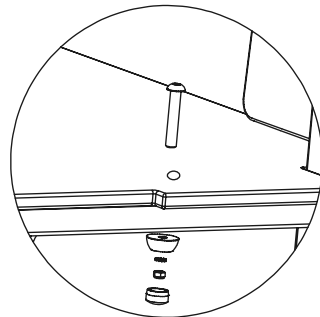
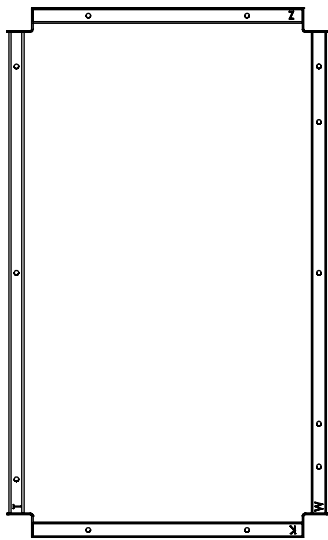


0302S2

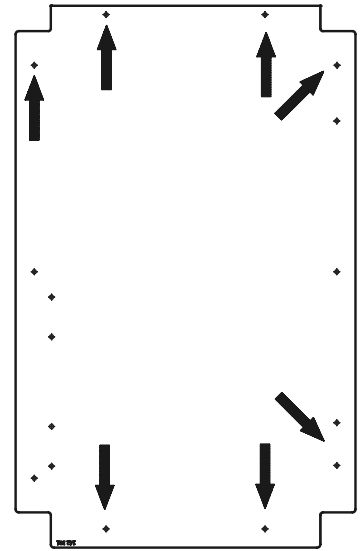
[cm] **W1**



play
Viñci

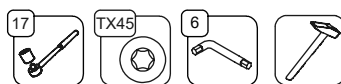


3 x CR45
1 x CR68

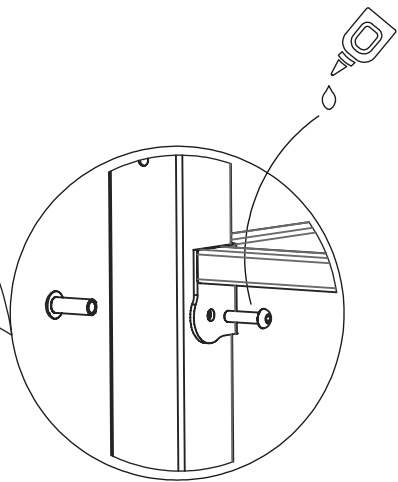
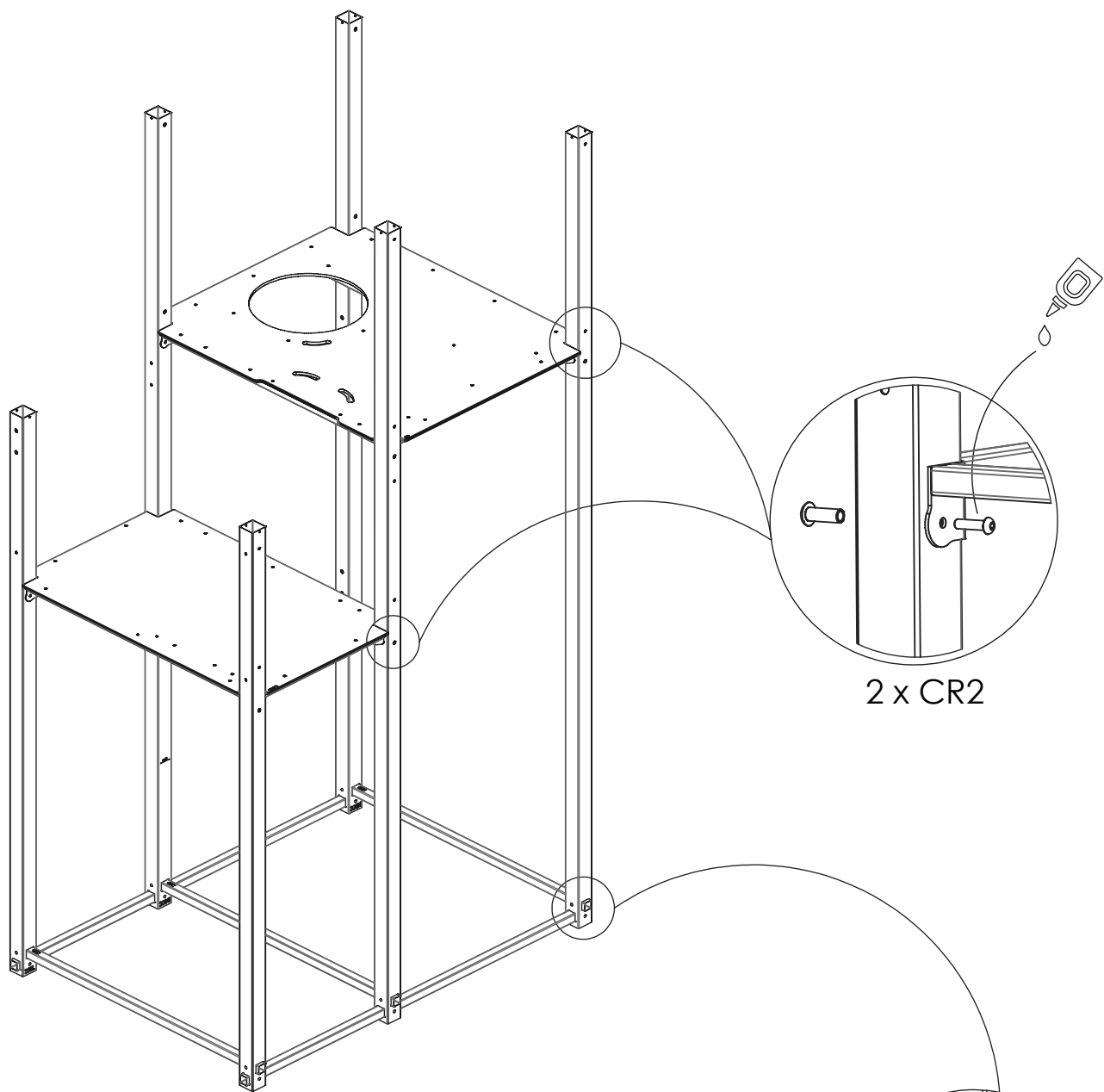


[cm]

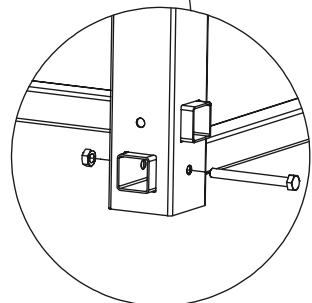
W1



play
vinci

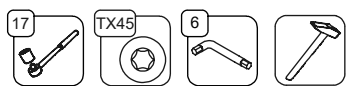


2 x CR2

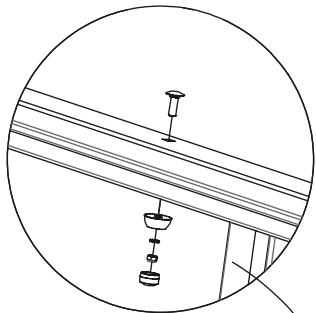


3 x CR1

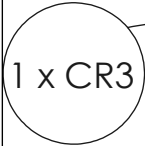
[cm] **W1**



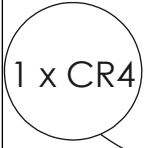
play
Viinci



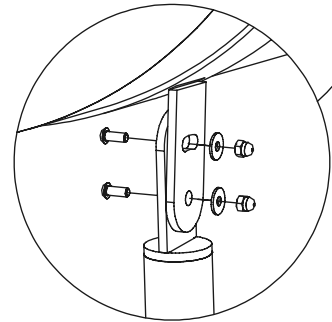
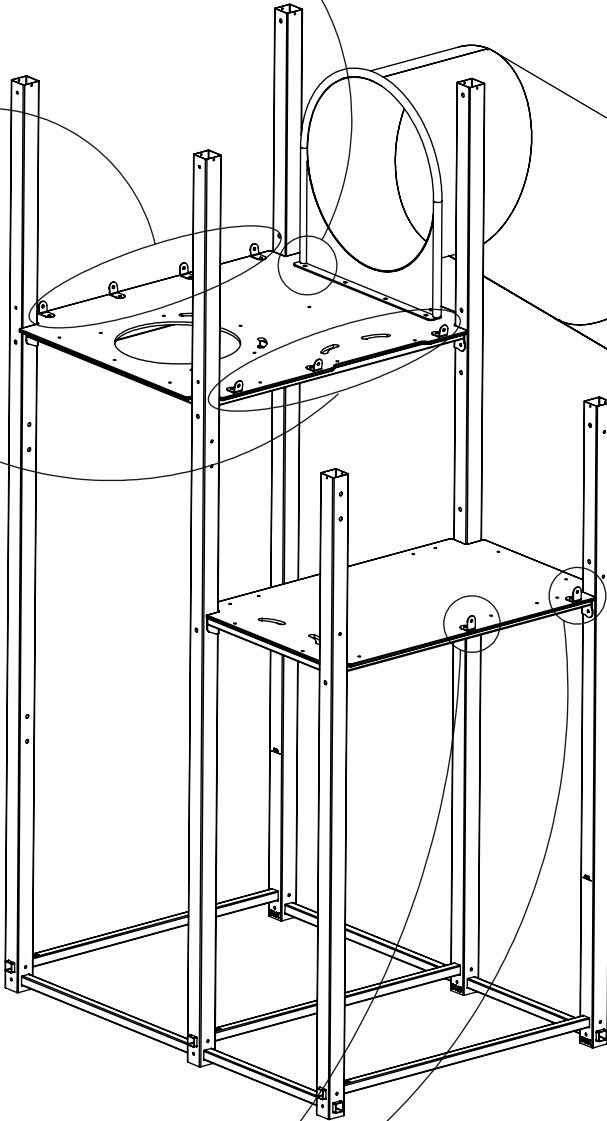
1 x CR8



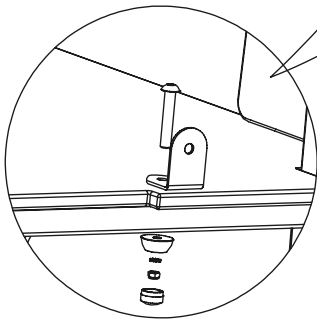
1 x CR3



1 x CR4



1 x CR102

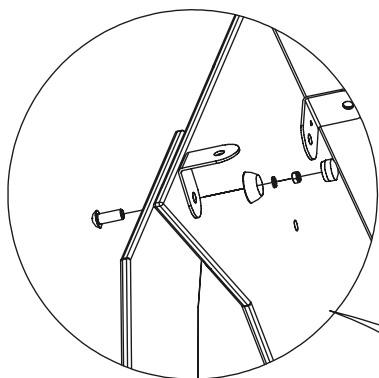


2 x CR6

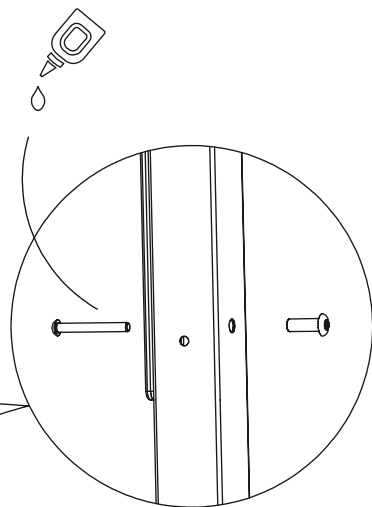
[cm] **W1**



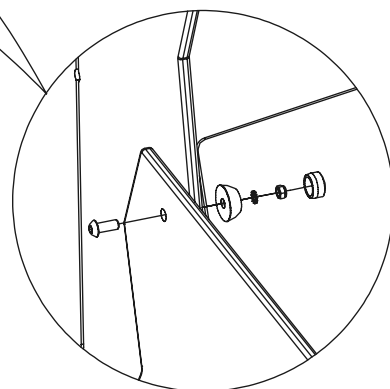
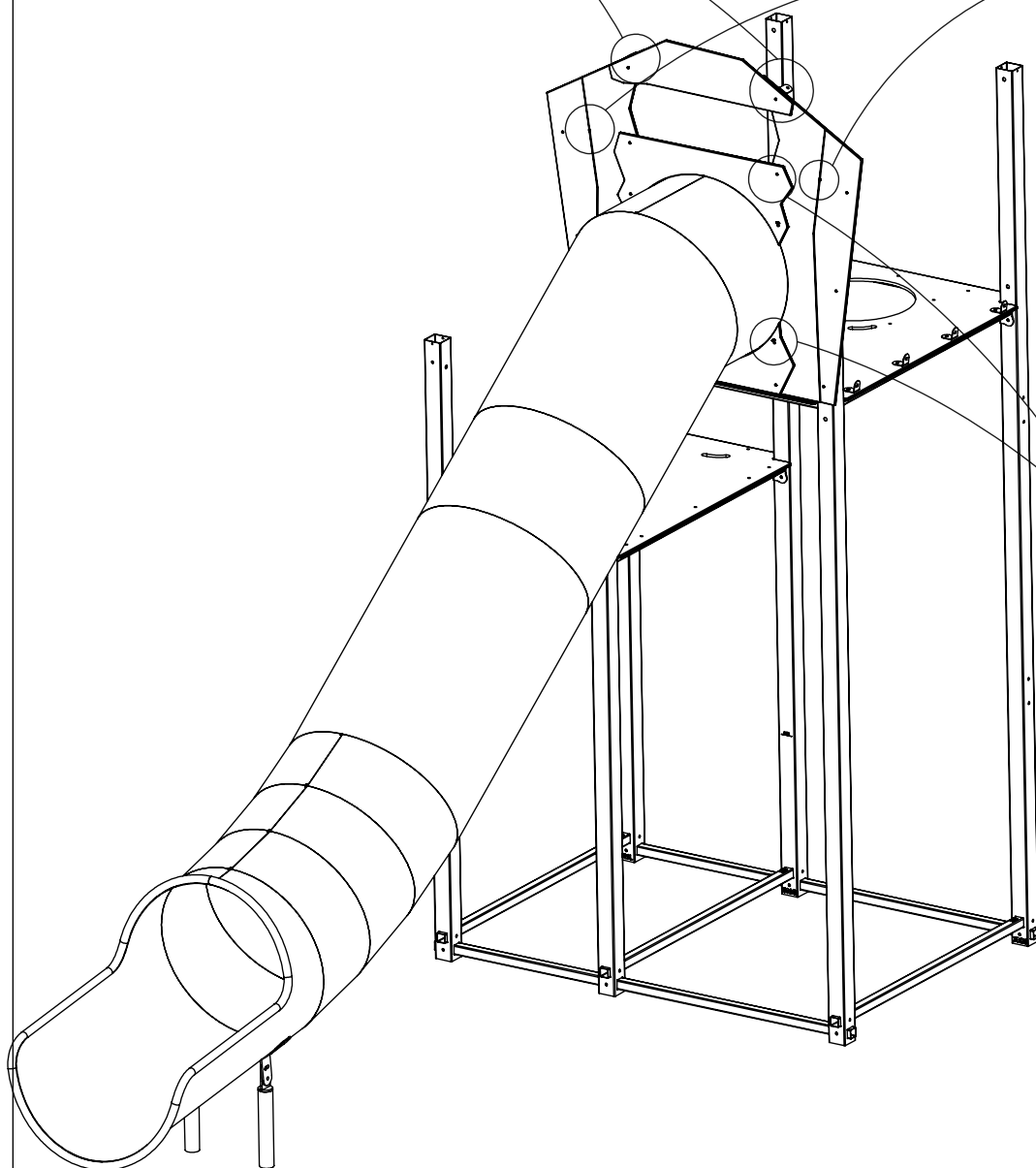
play
Viinci



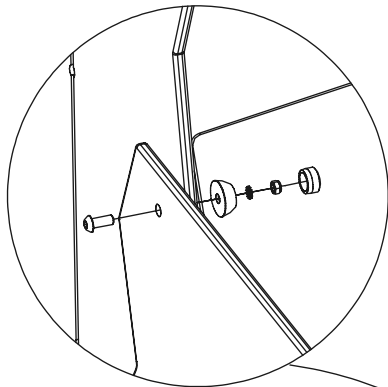
1 x CR10 (C9H, C5H)



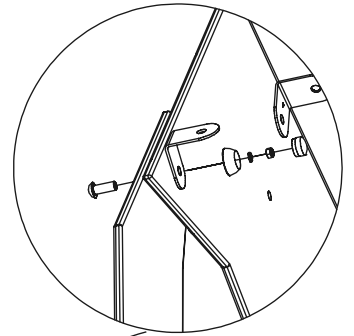
1 x CR2



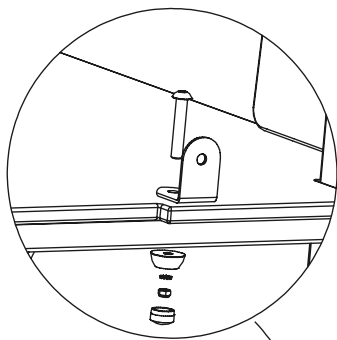
4 x CR24 (C9H)
4 x CR22 (C5H)



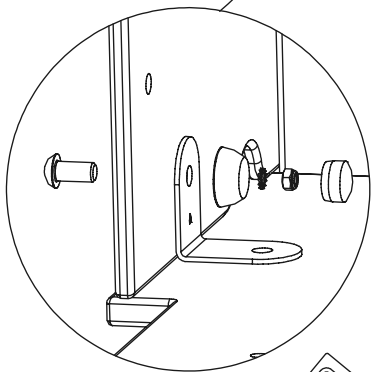
1 x CR24 (C9H)
1 x CR22 (C5H)



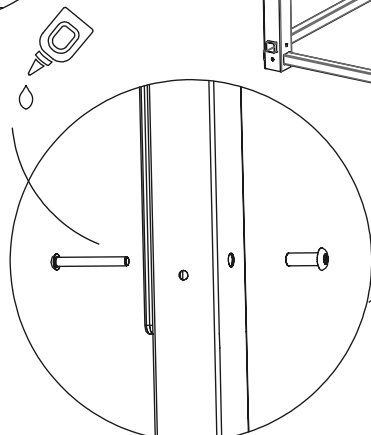
1 x CR10 (C9H, C5H)



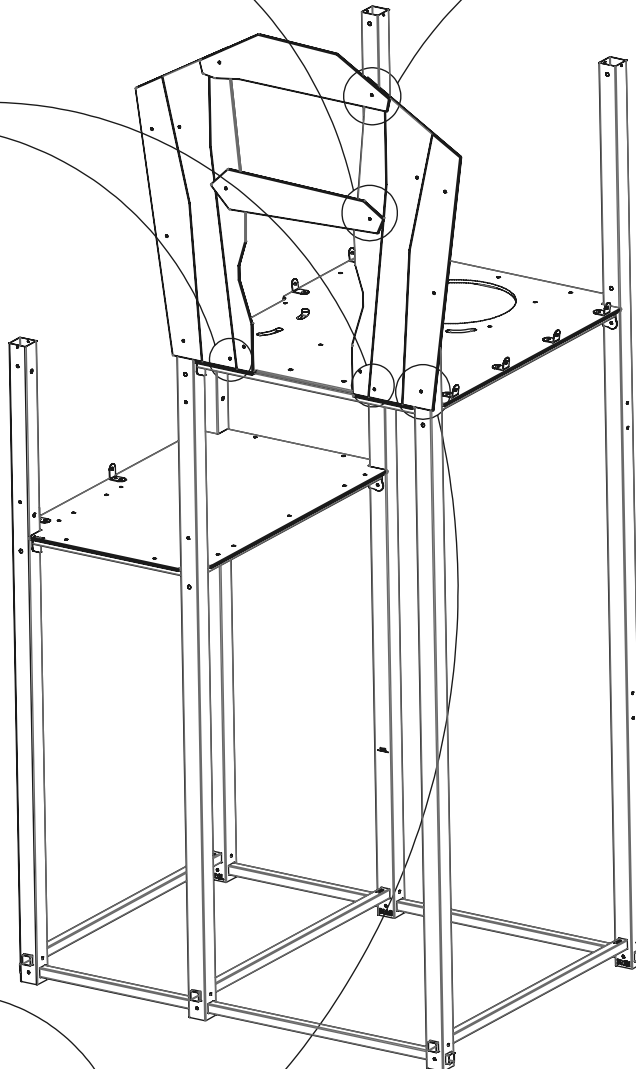
1 x CR7



1 x CR18

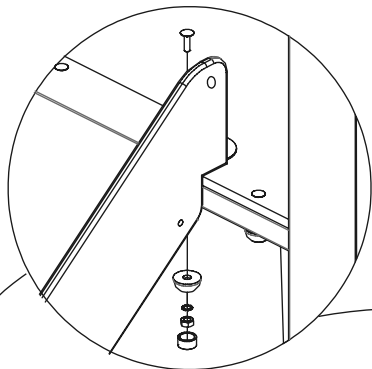
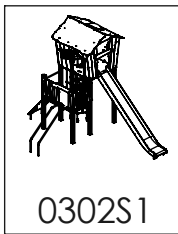


1 x CR2

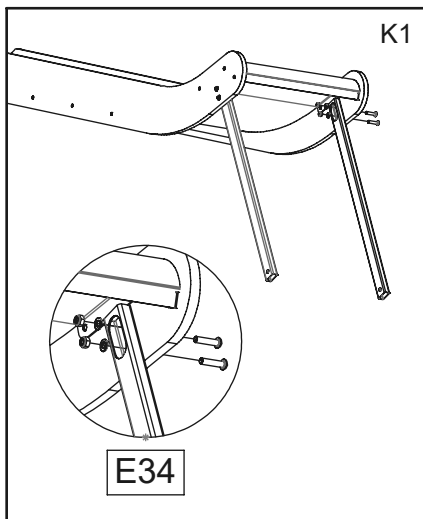
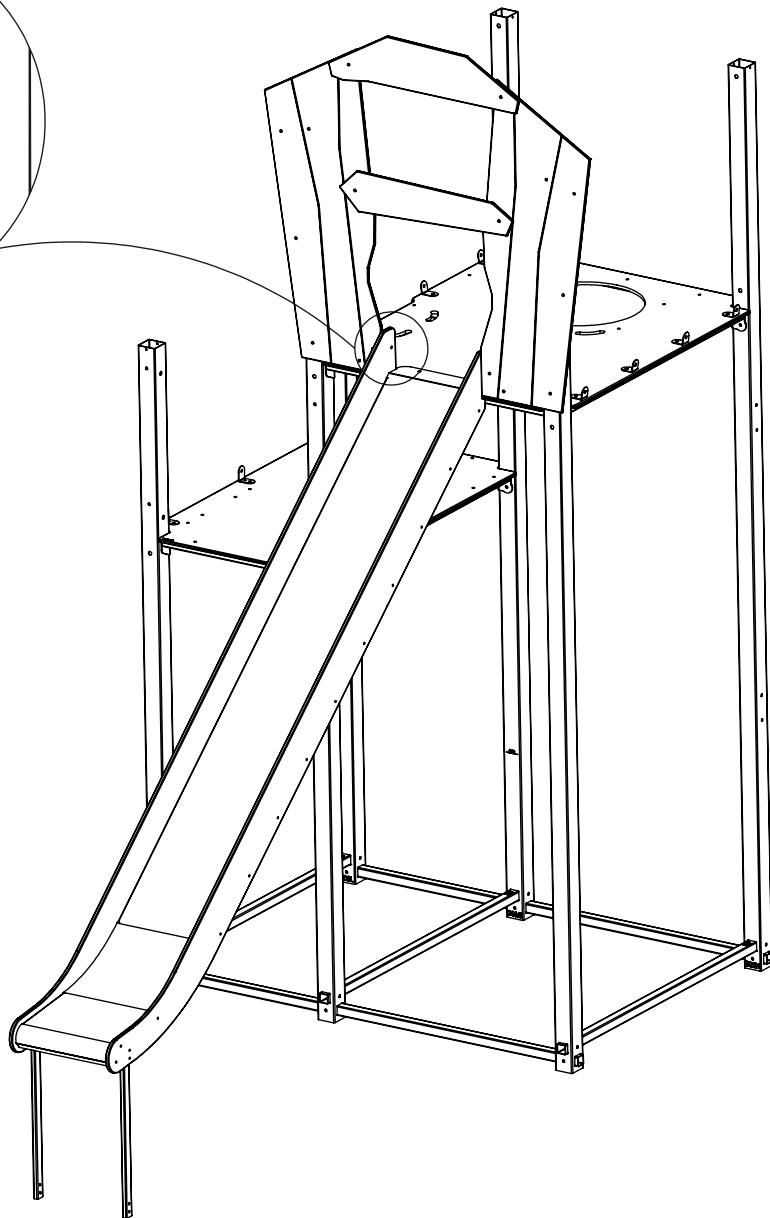
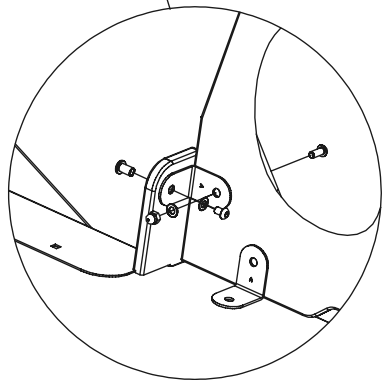


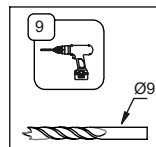
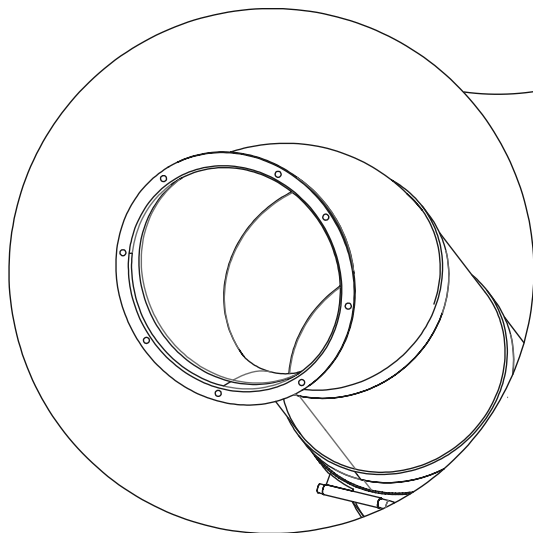
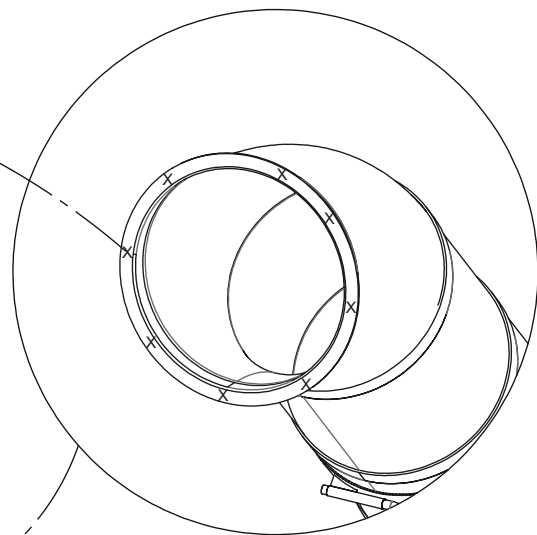
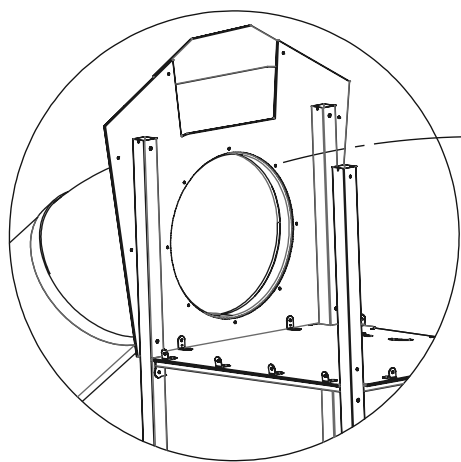
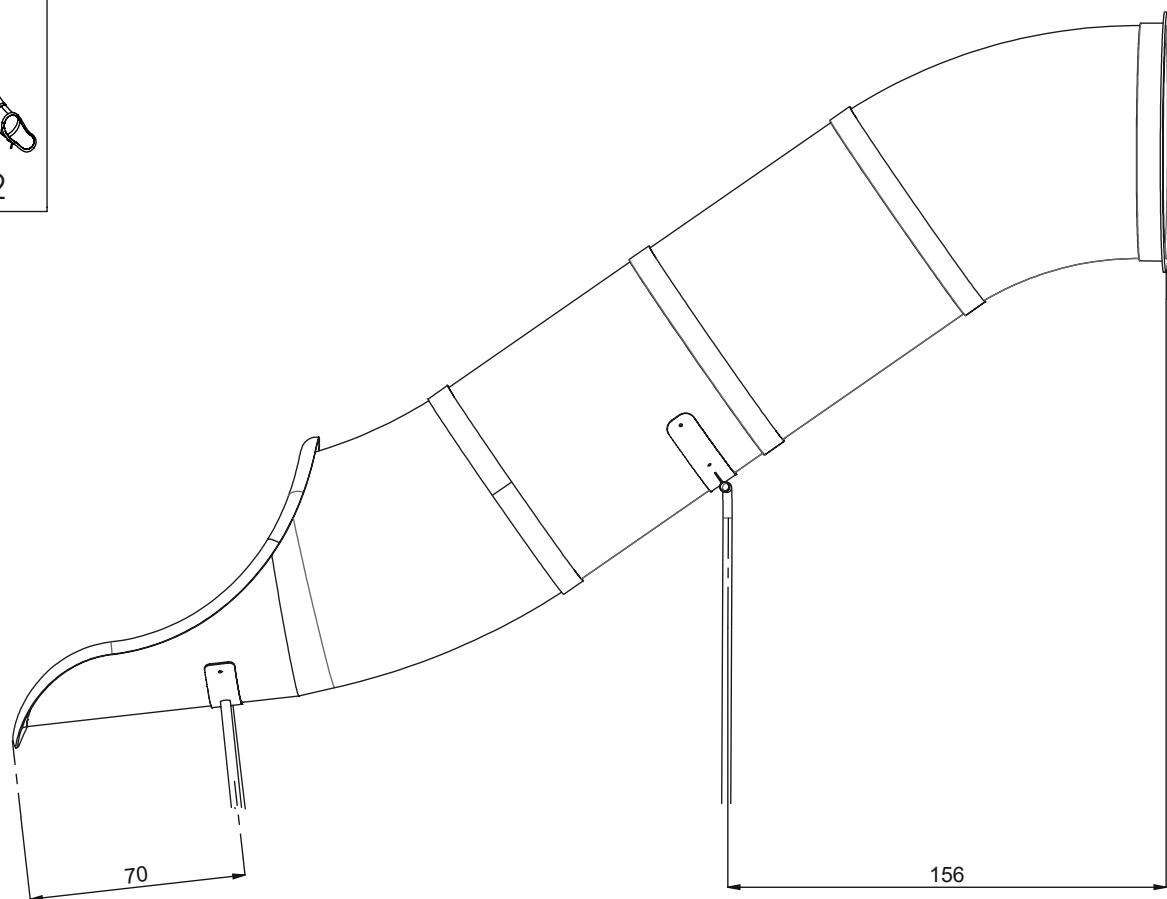
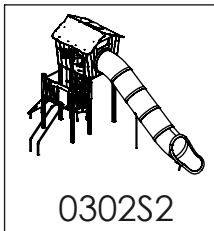
[cm] **W1**

play
Vinci



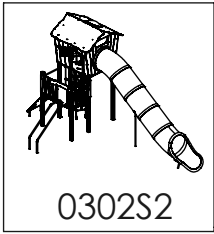
1 x CR29 (S1)
1 x CR89 (S6)



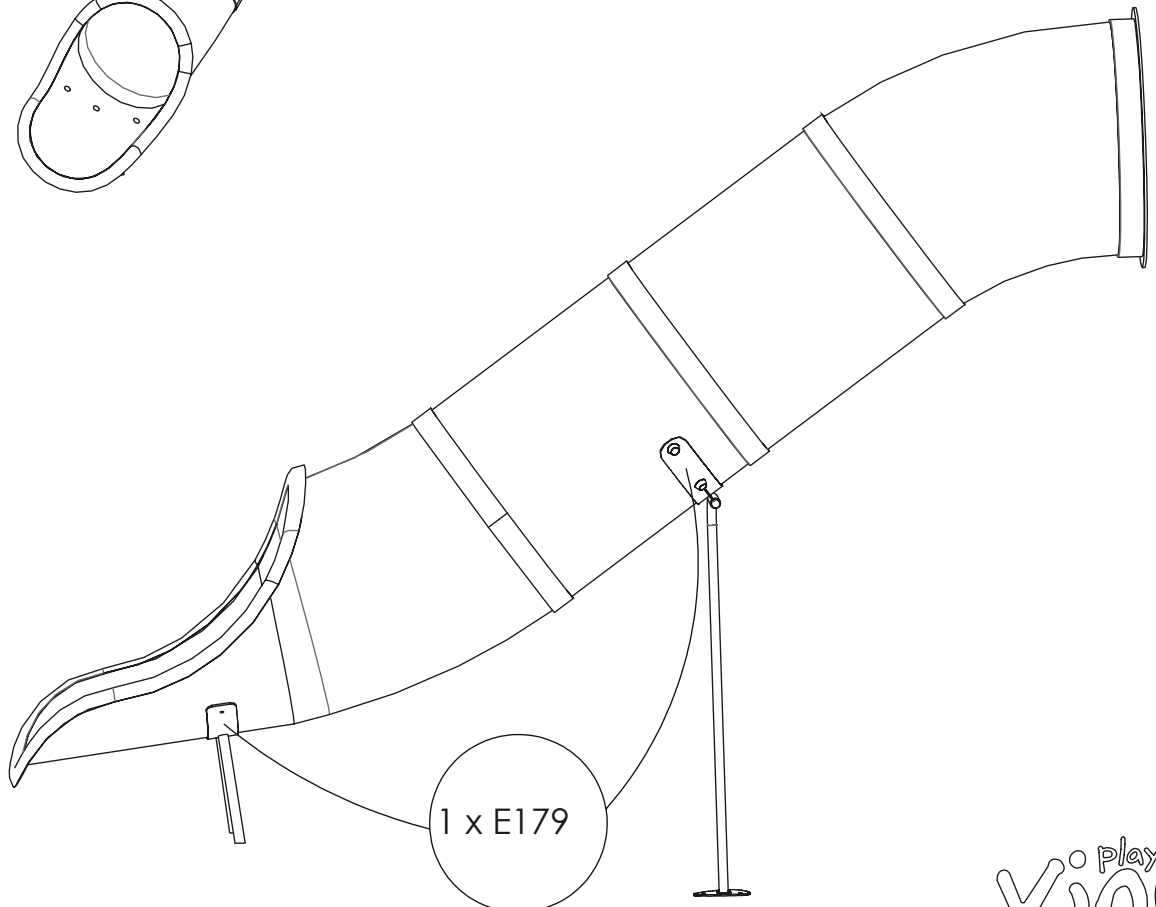
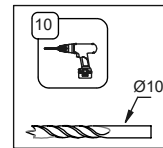
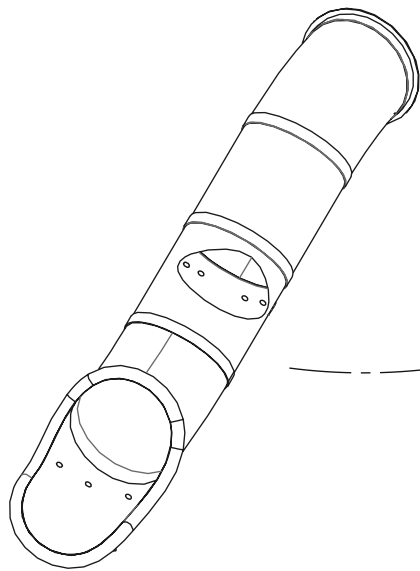
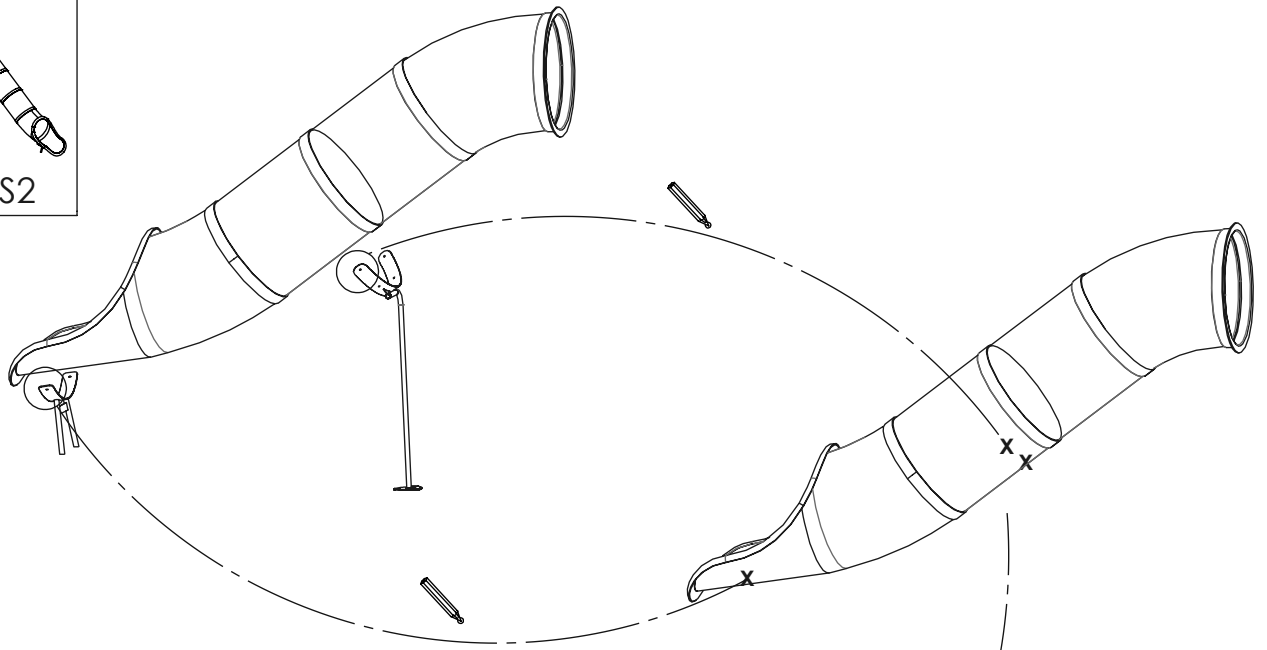


[cm] **W1**

play
Viñci

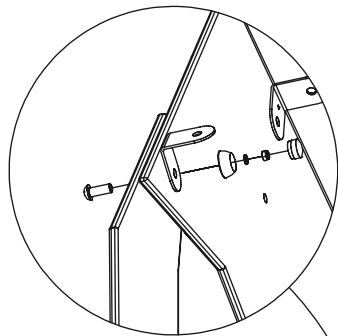
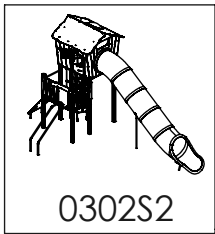


0302S2

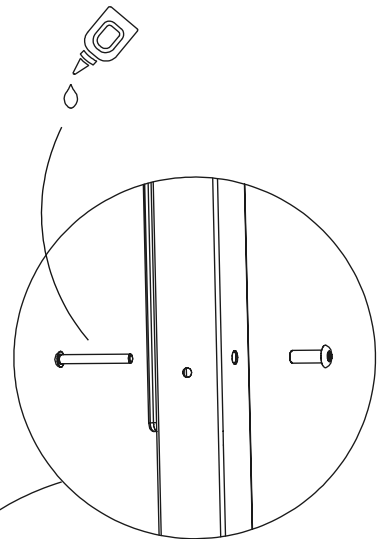


[cm] **W1**

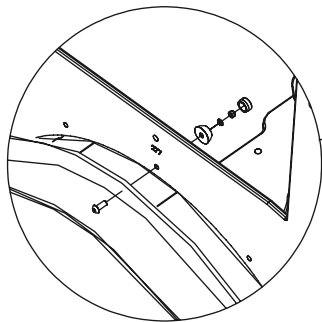
play
Viñci



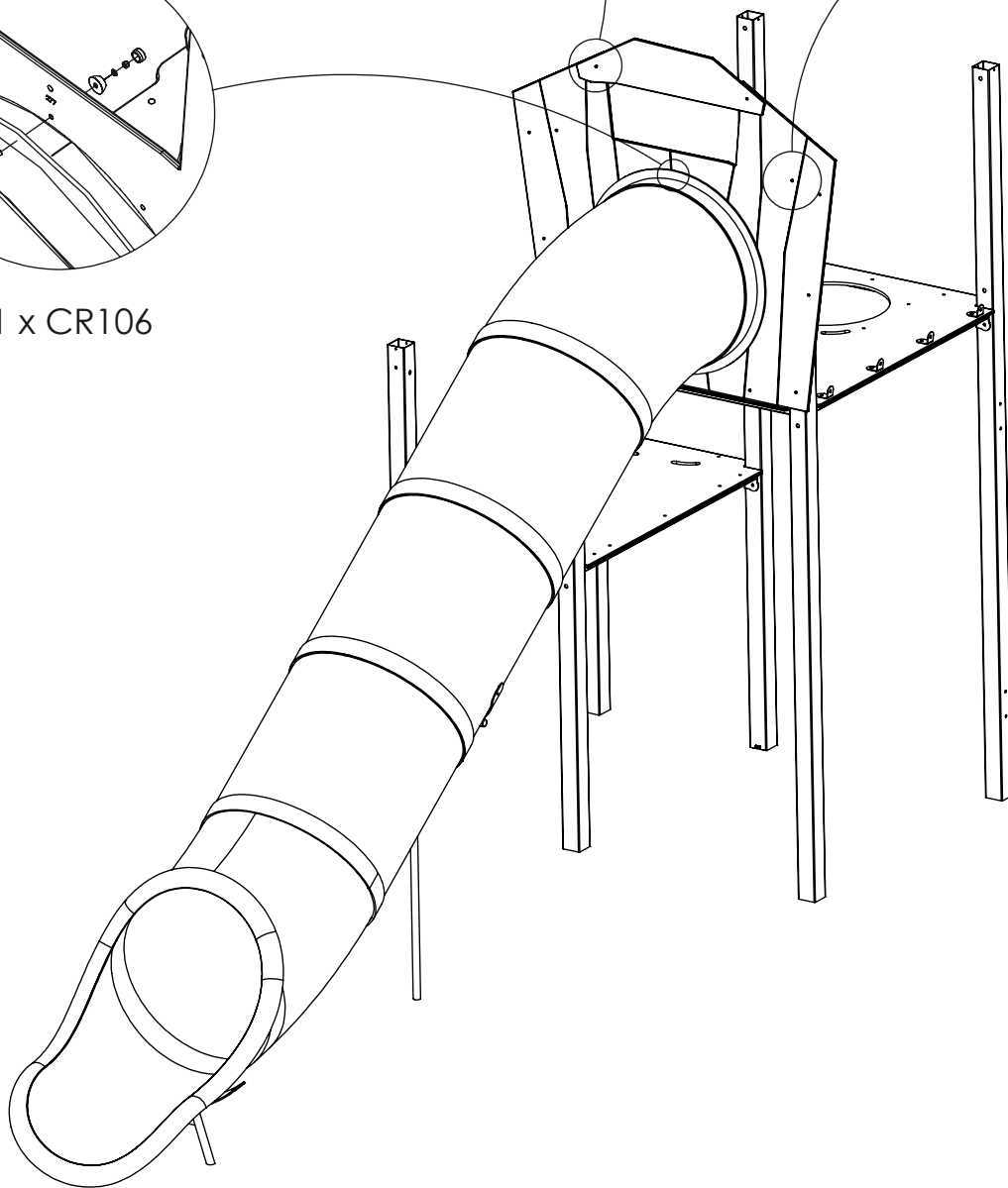
1 x CR10

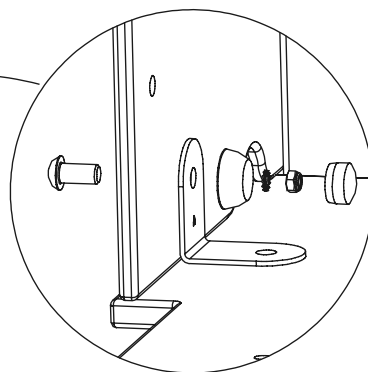
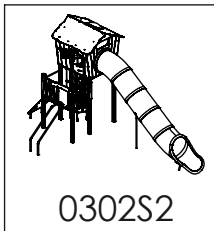


1 x CR2

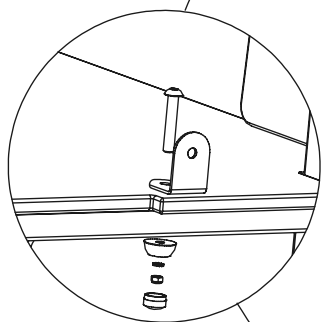


1 x CR106

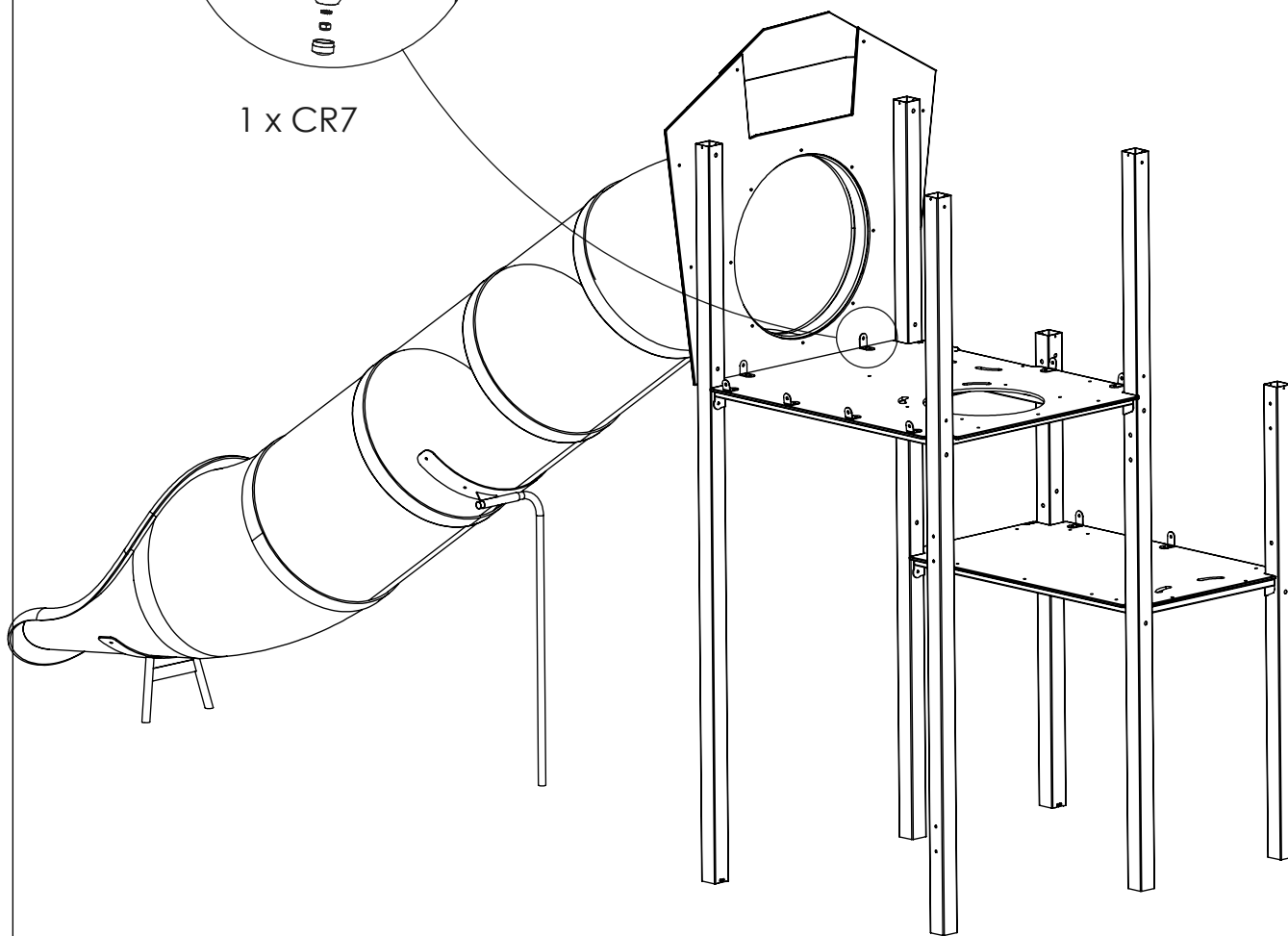


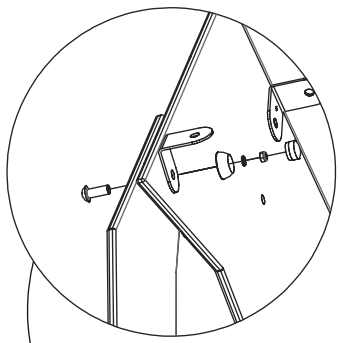


1 x CR18

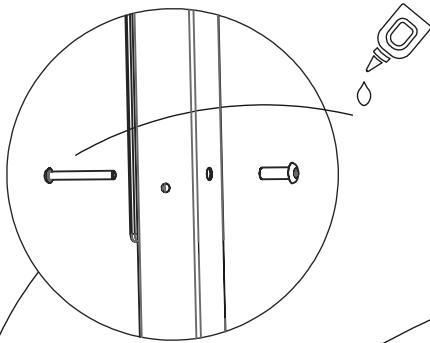


1 x CR7

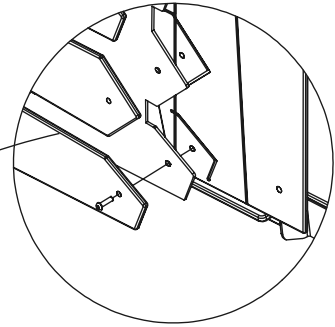




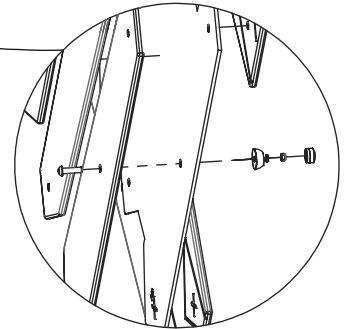
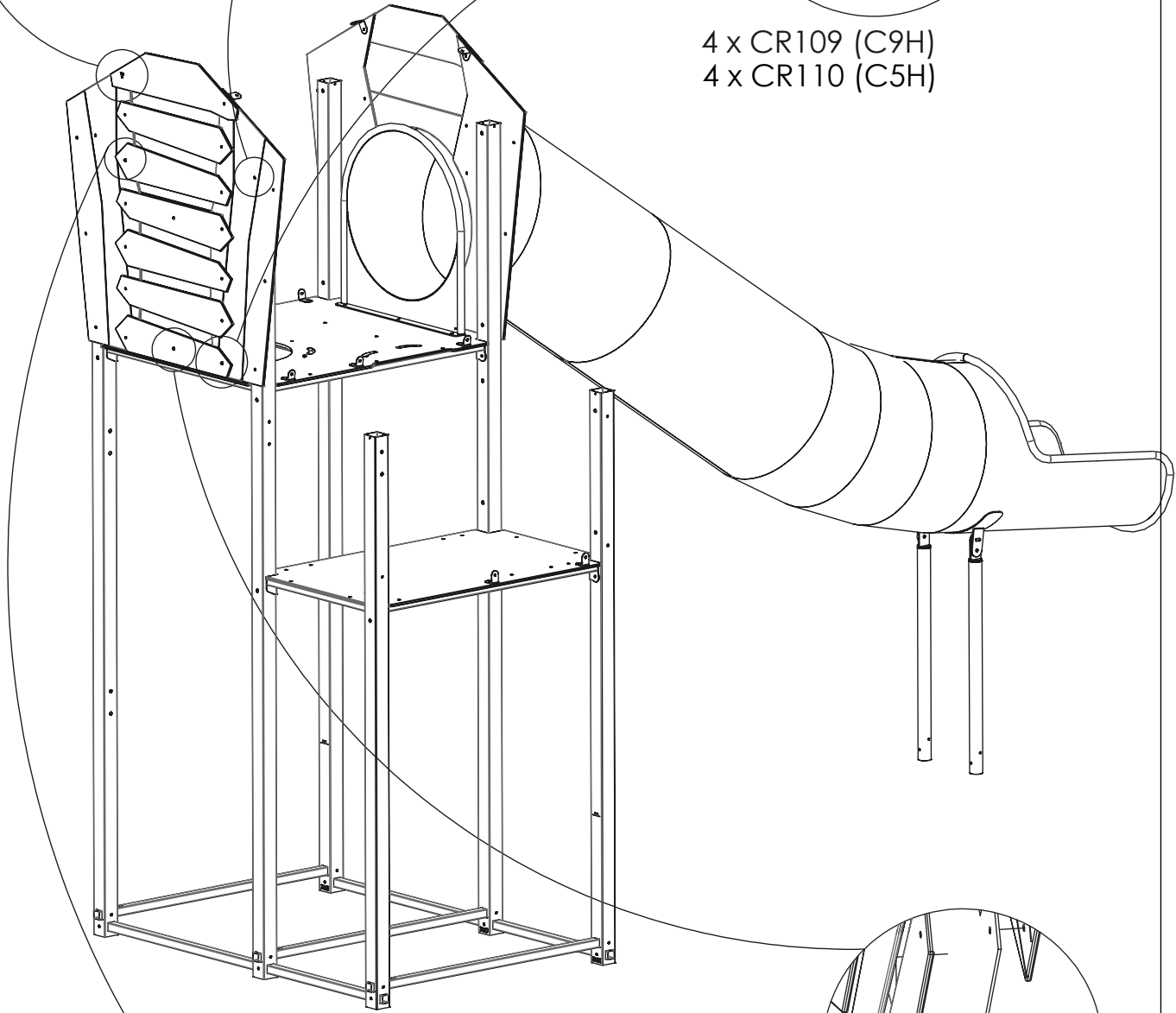
1 x CR10 (C9H, C5H)



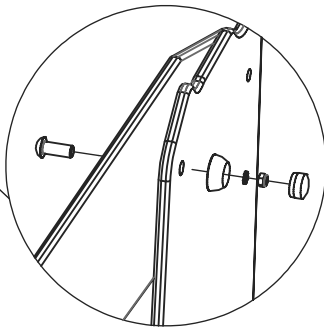
1 x CR2



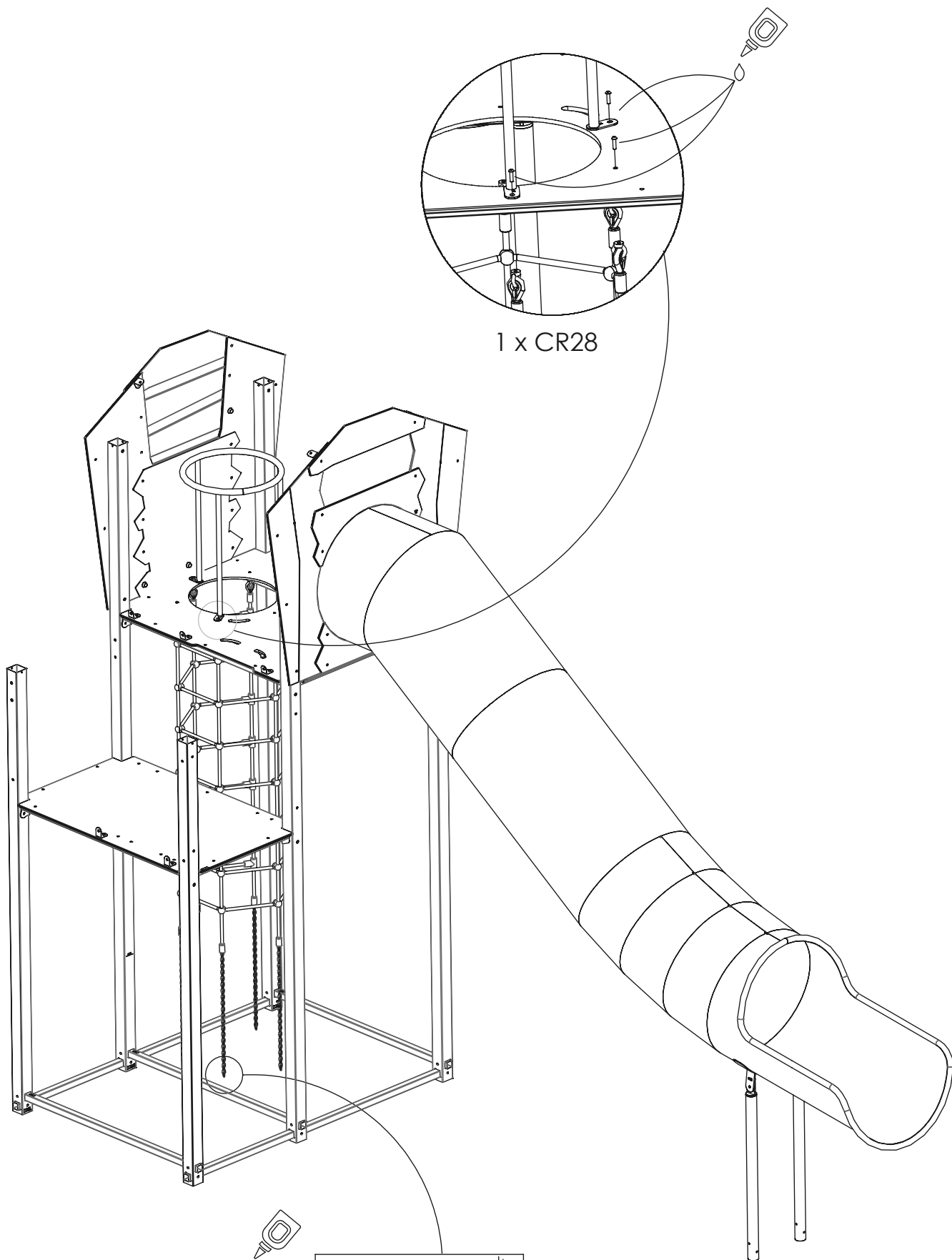
4 x CR109 (C9H)
4 x CR110 (C5H)



1 x CR111 (C9H)
1 x CR112 (C5H)



2 x CR24 (C9H)
2 x CR22 (C5H)



1 x CR28

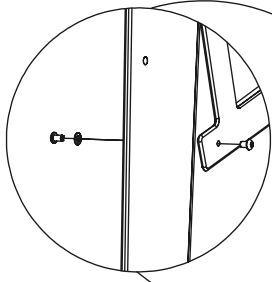
K1, K2, K3

6 x CR47

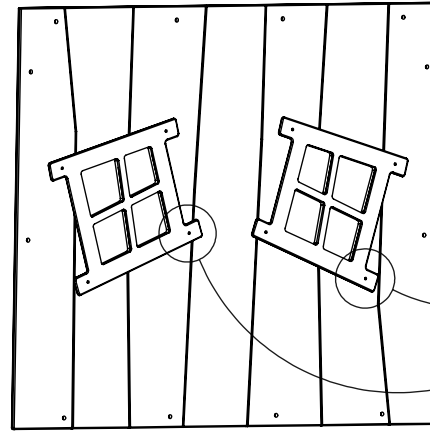
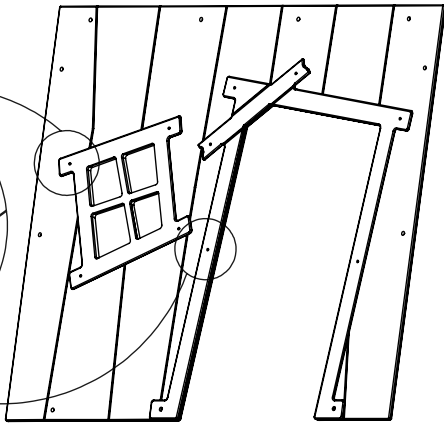
[cm] **W1**

play
Viinci

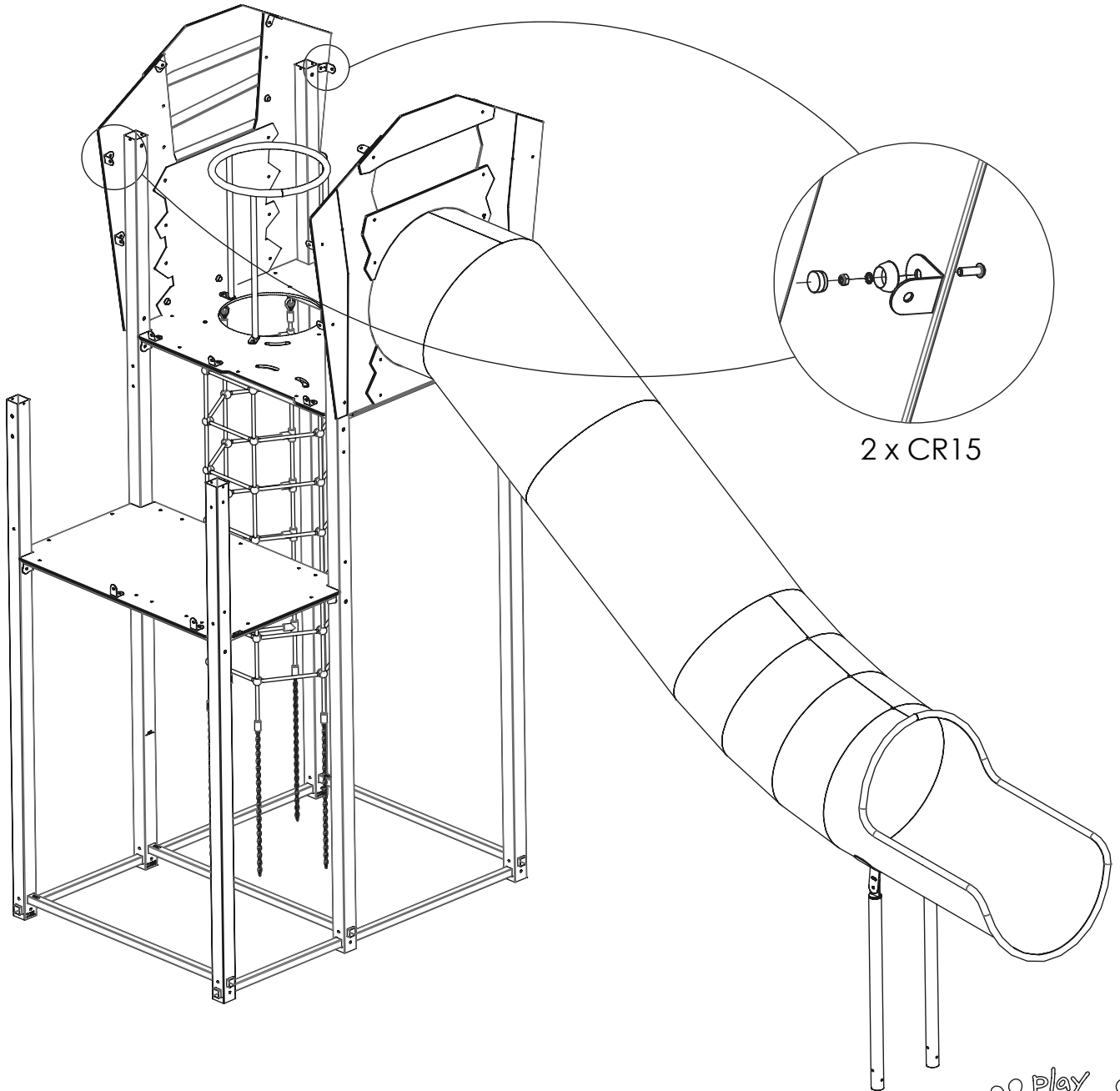
1 x CR91



2 x CR98



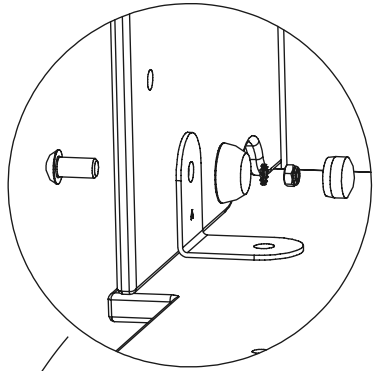
2 x CR91



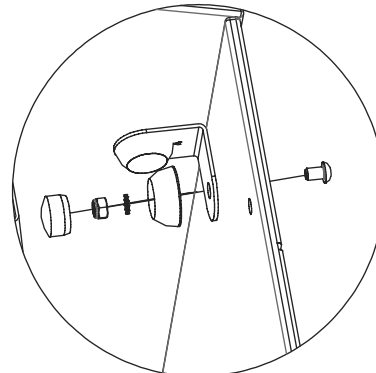
2 x CR15

[cm] W1

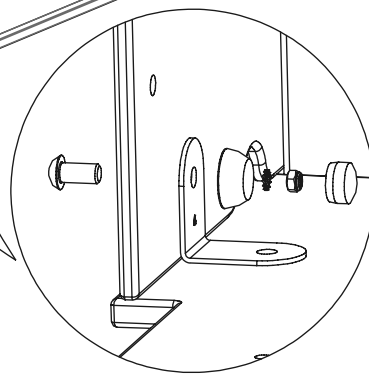
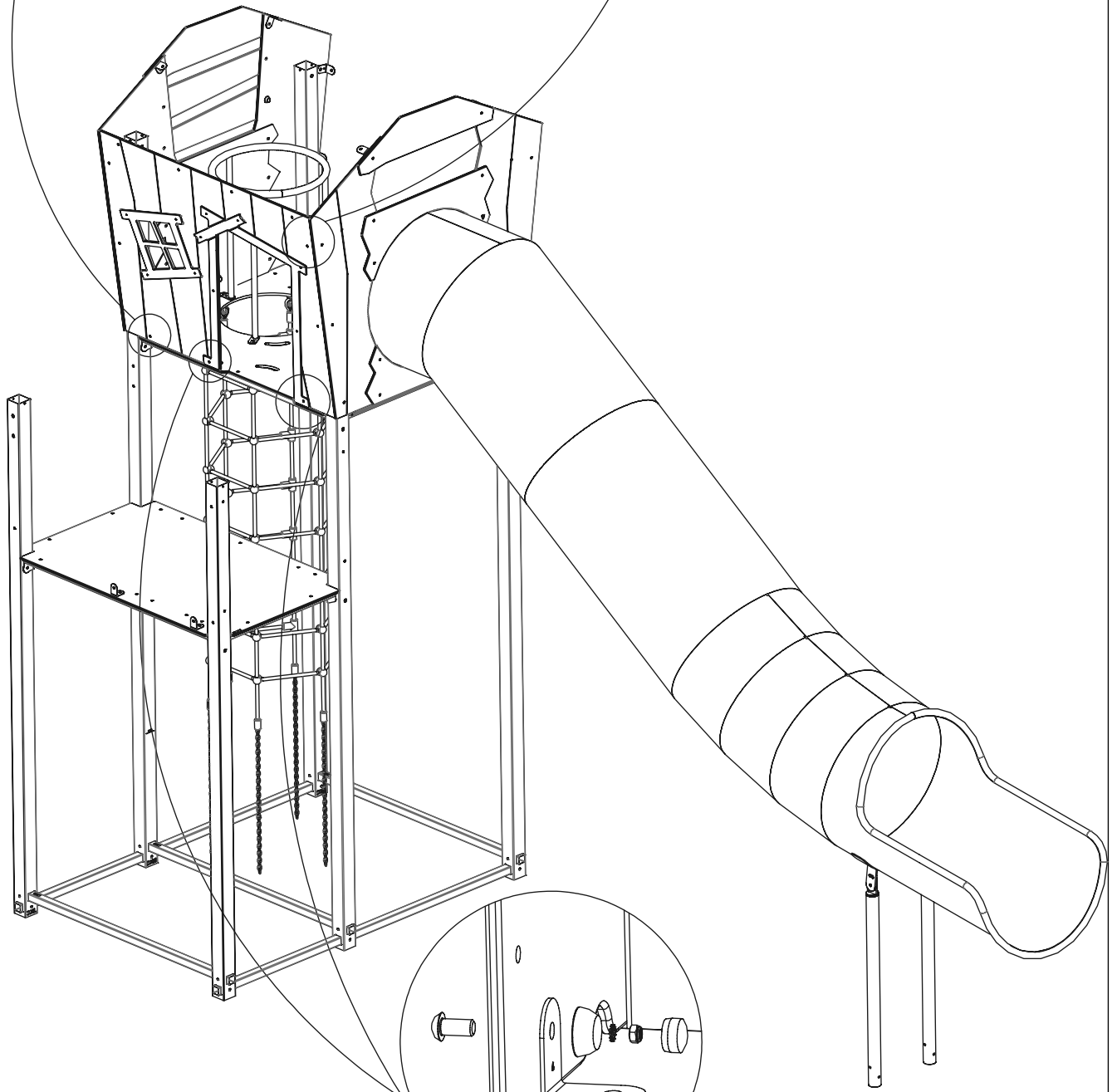
play
Vinci



1 x CR17



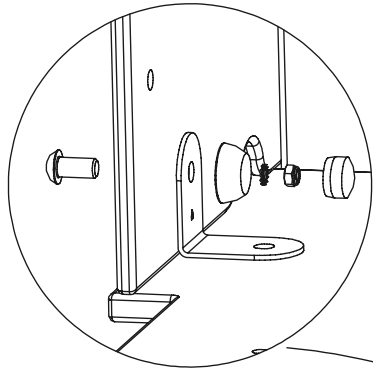
1 x CR20



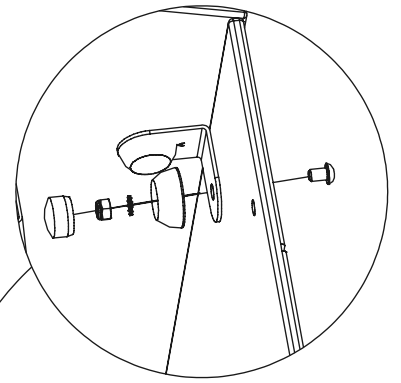
1 x CR113

[cm] **W1**

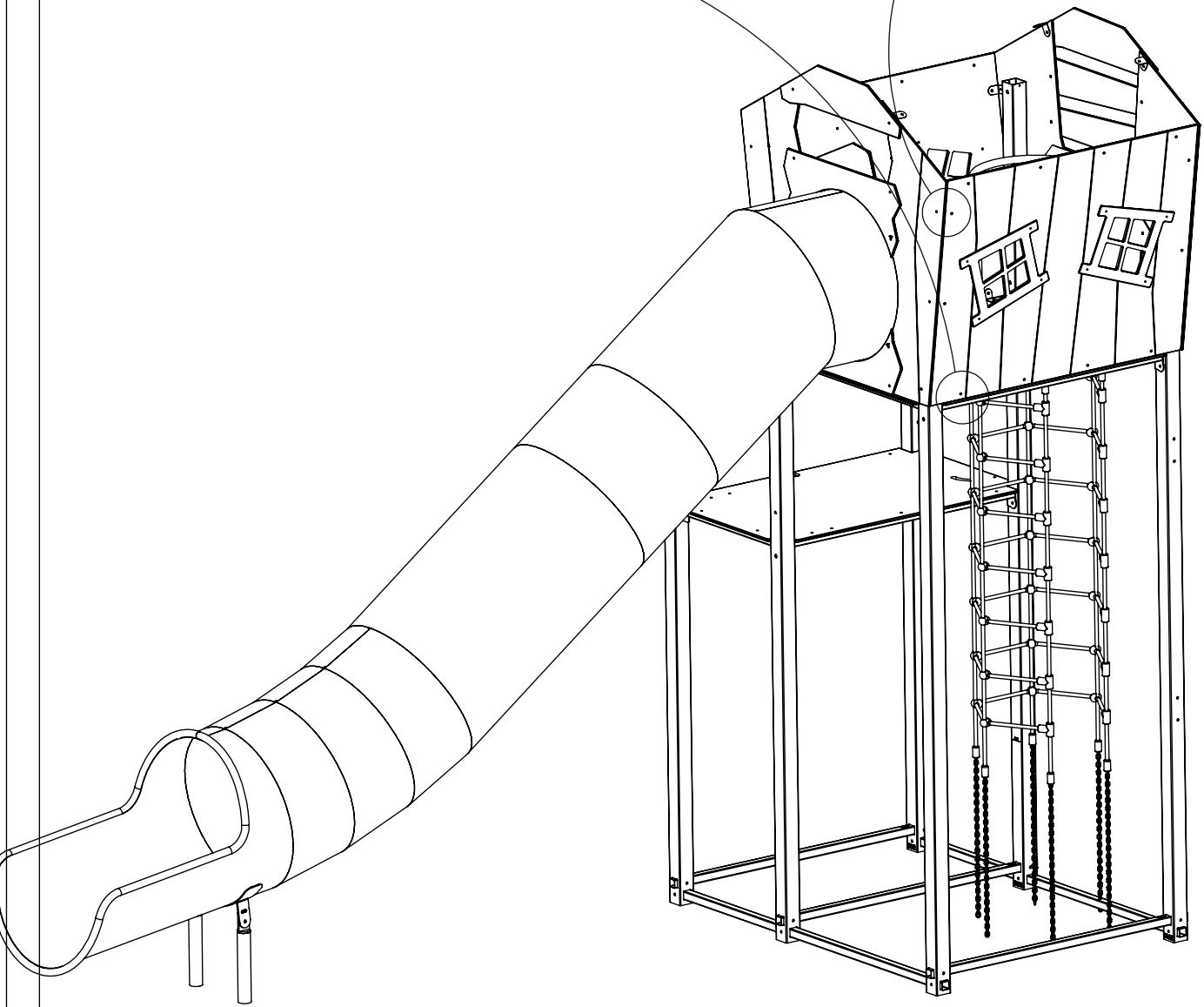
play
vinici

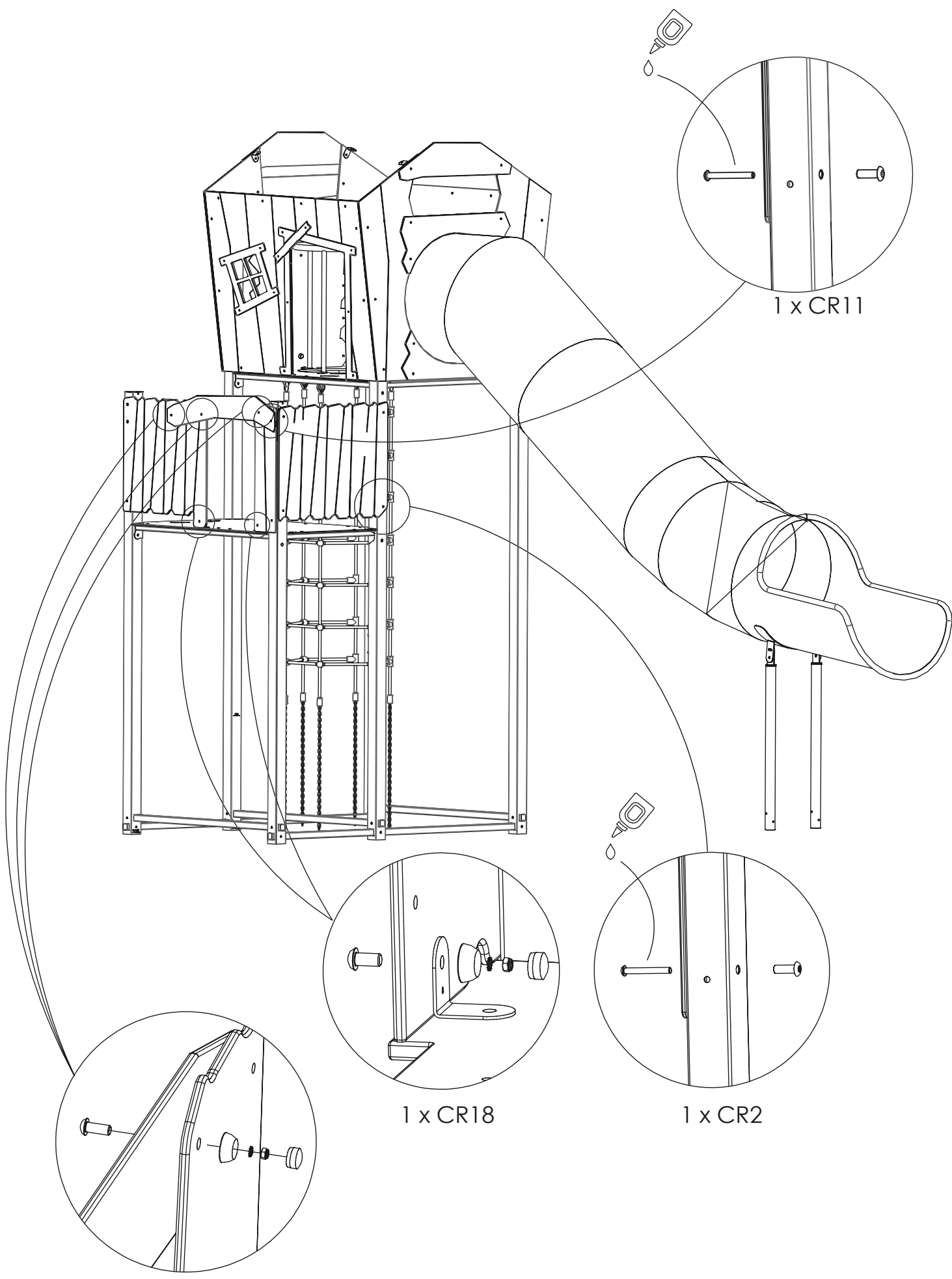


1 x CR20



1 x CR20





1 x CR11

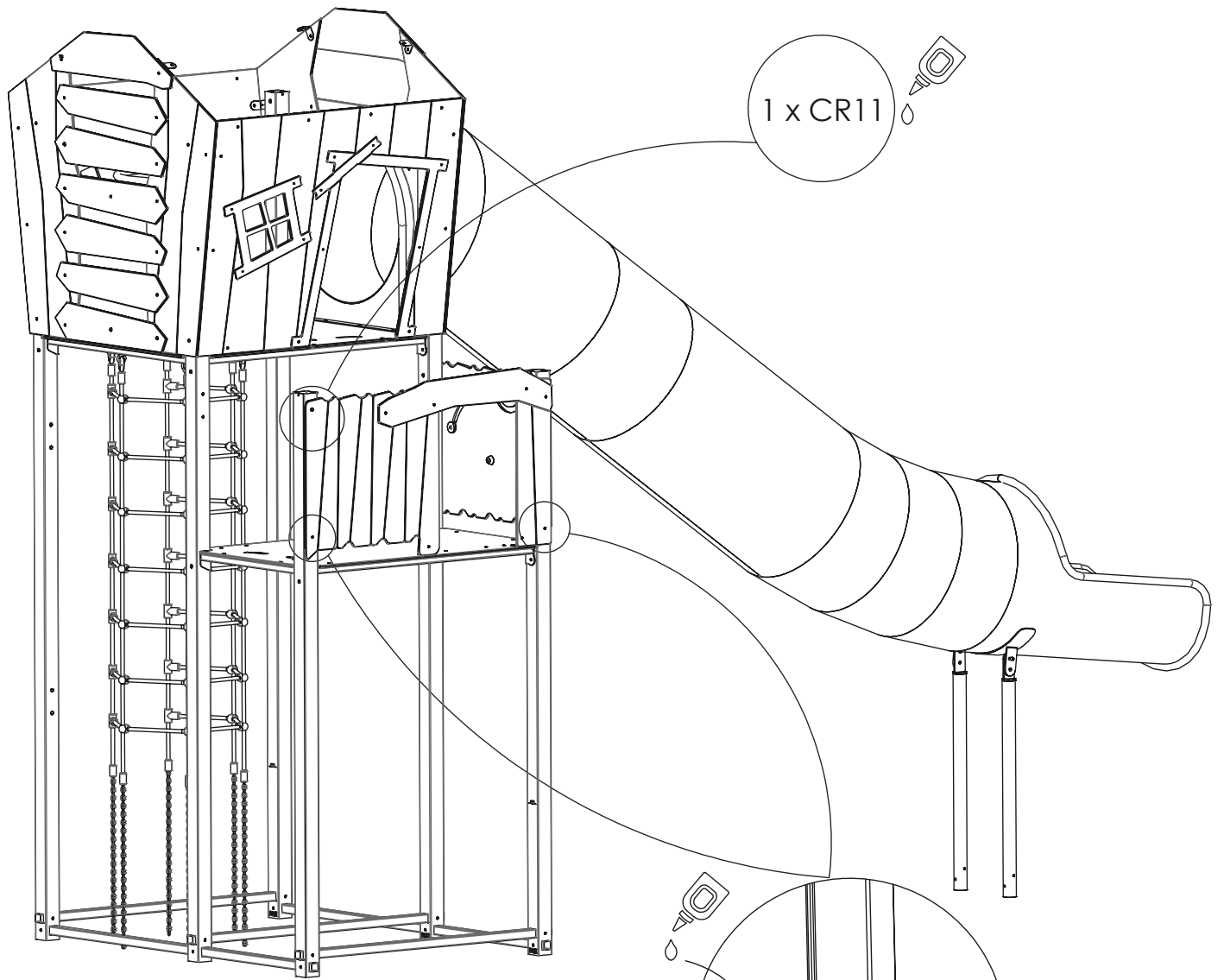
1 x CR18

1 x CR2

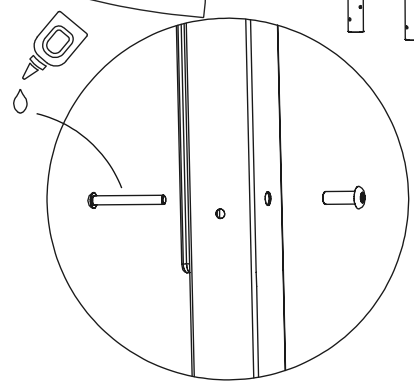
1 x CR87 (C9H)
1 x CR23 (C5H)

[cm] **W1**

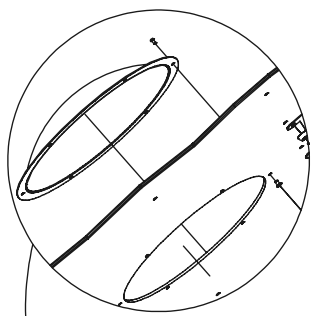
play
vinci



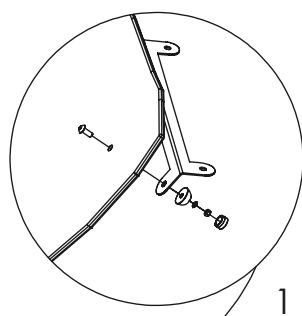
1 x CR11



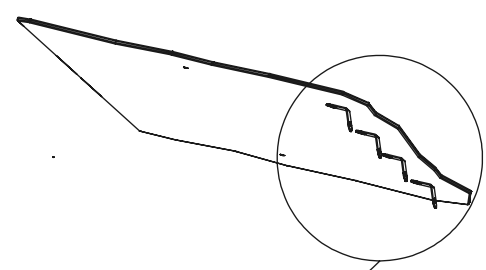
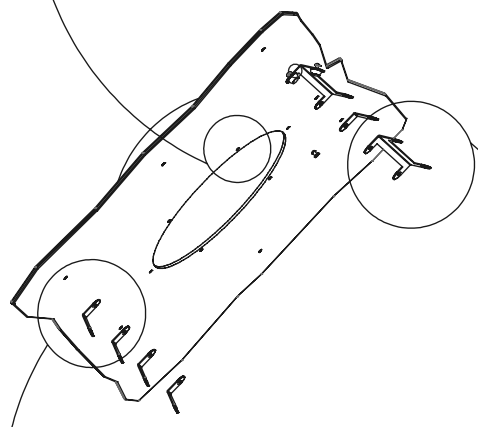
1 x CR14



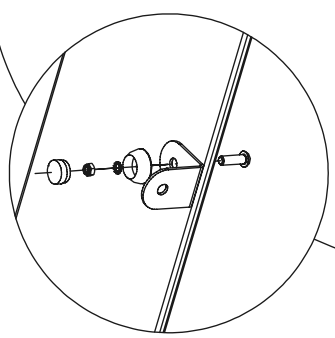
1 x CL9

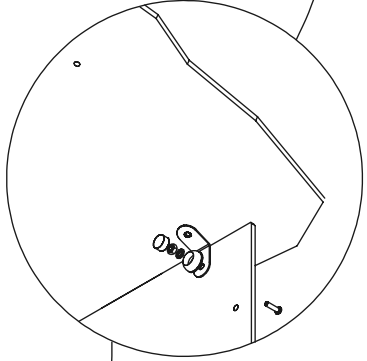
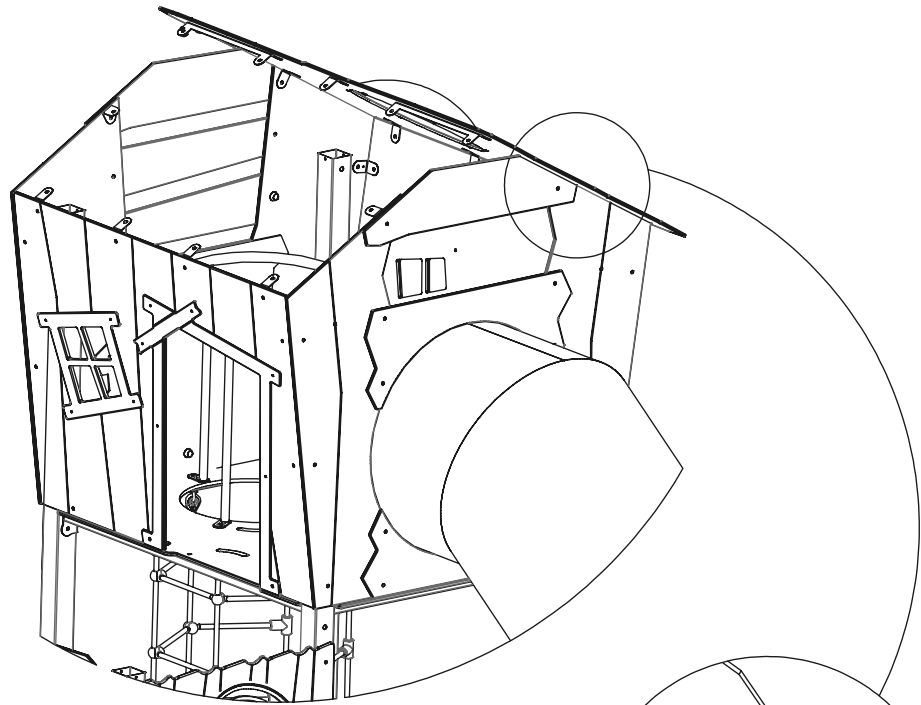


1 x CR25
1 x CR20
1 x CR17

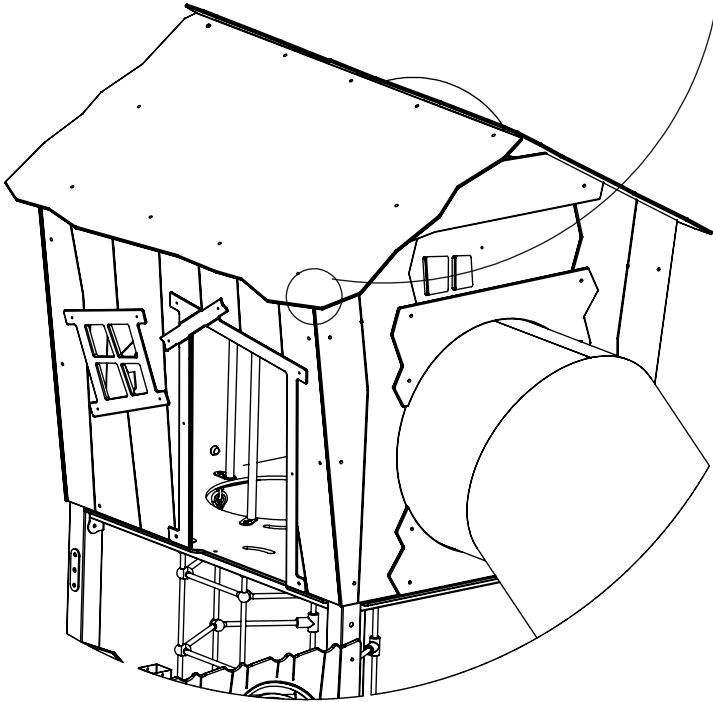


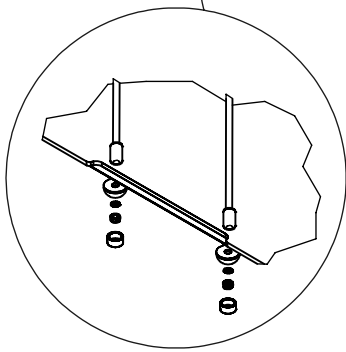
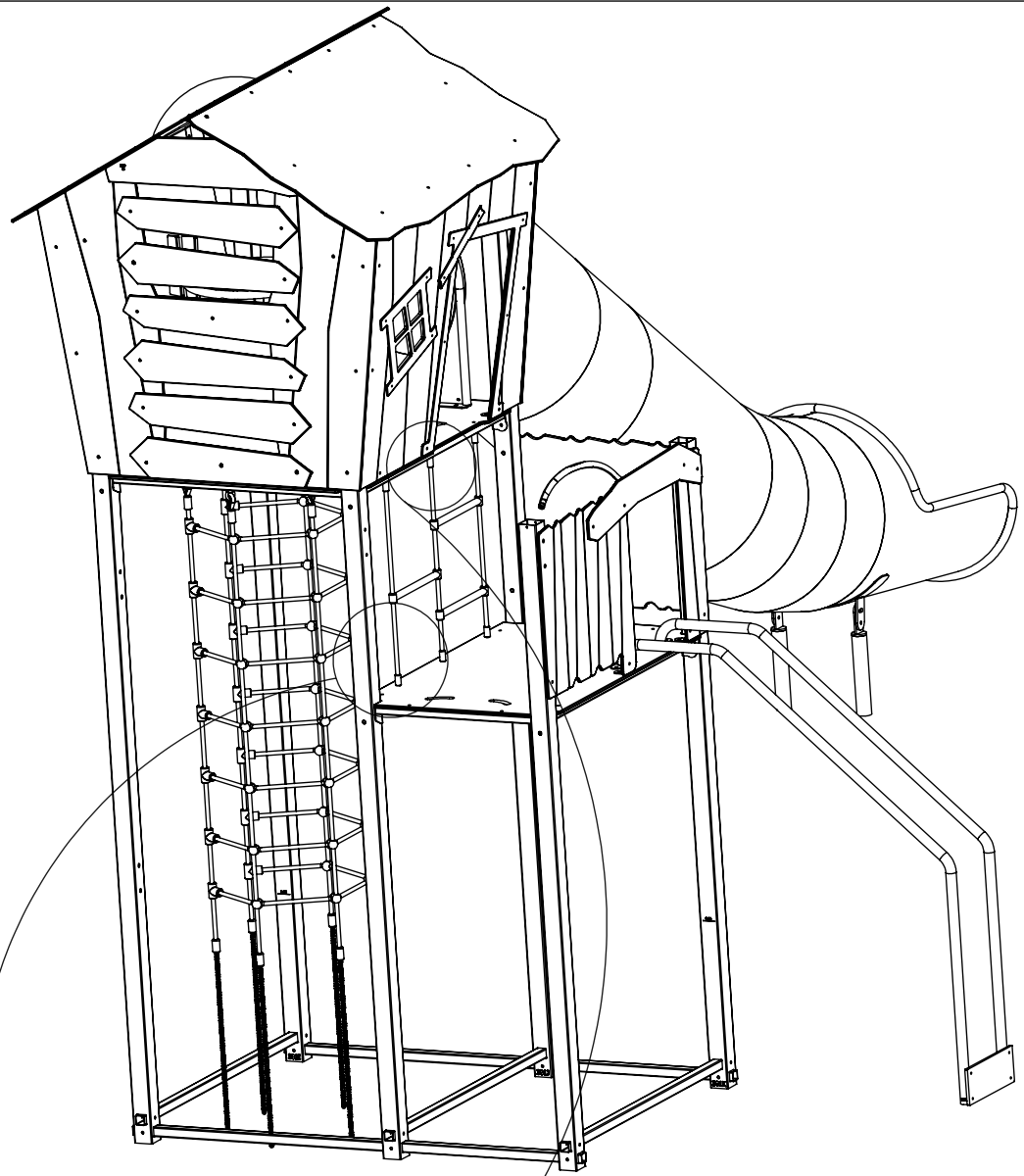
2 x CR40



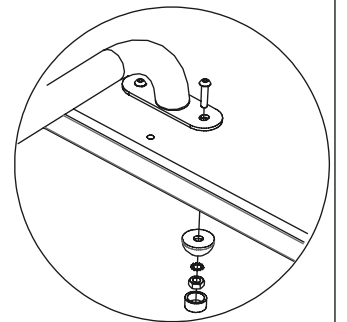
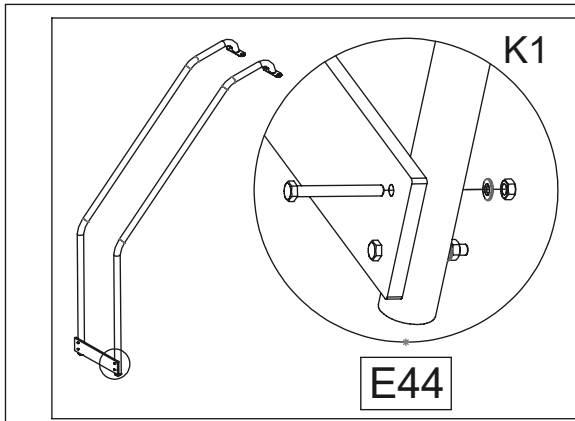
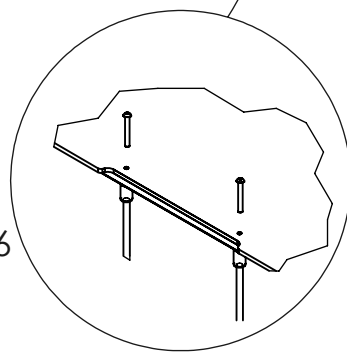


3 x CR20





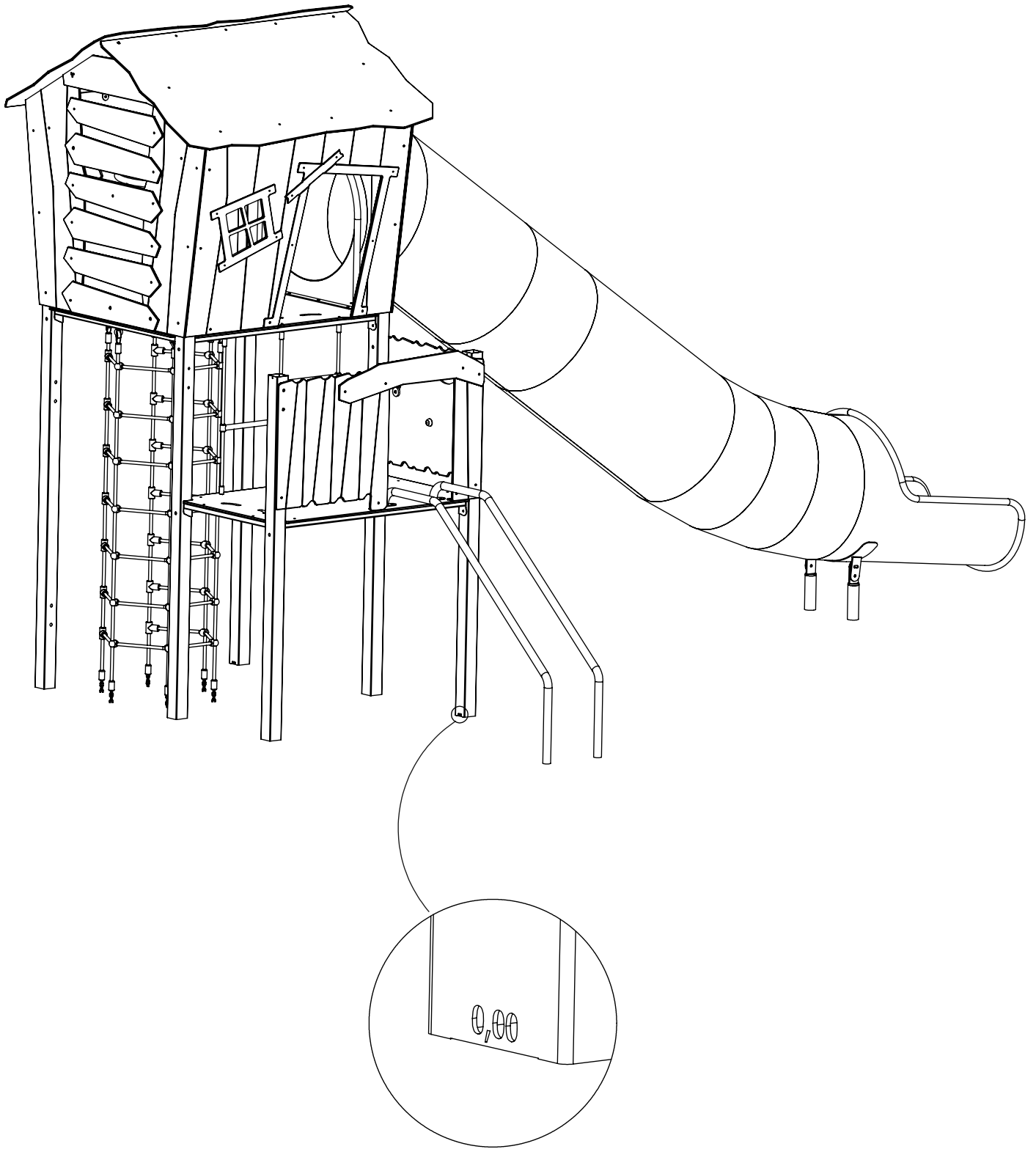
1 x CR36



E7

[cm] **W1**

play
vinici

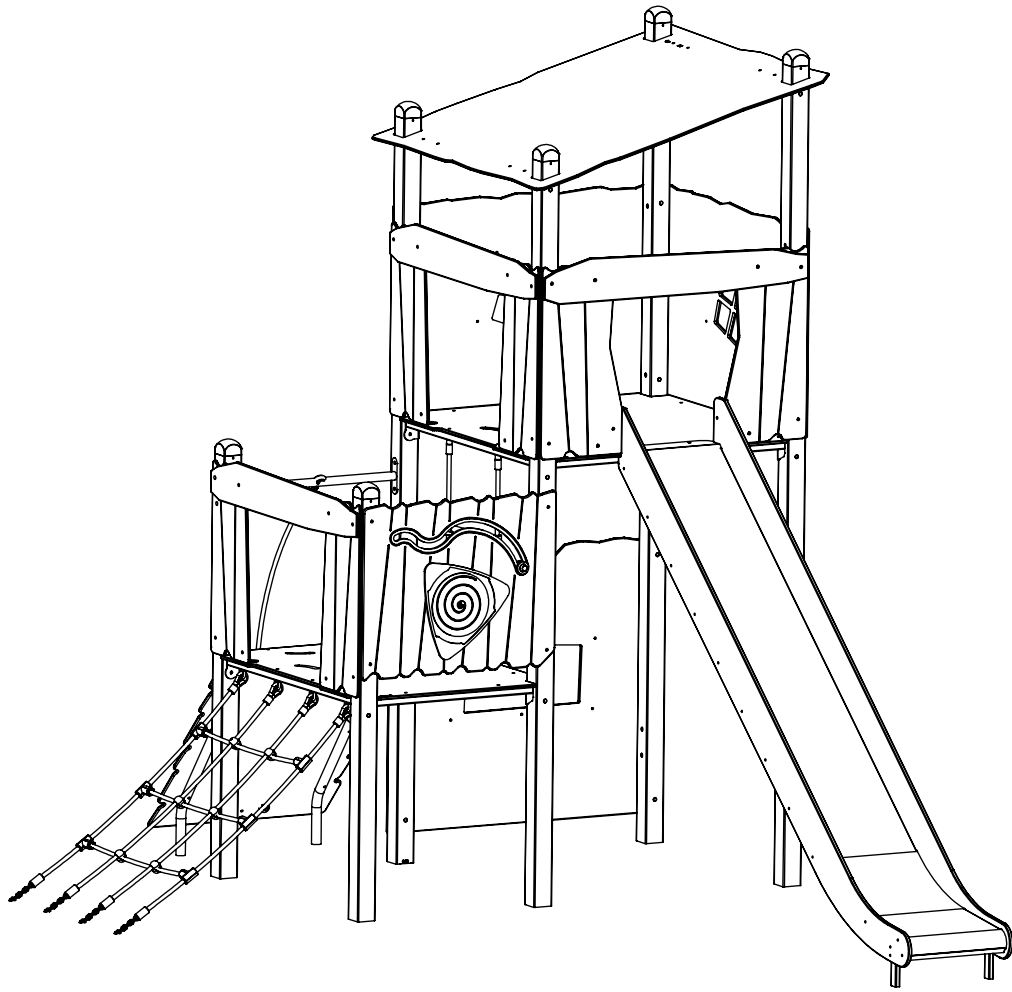


[cm]

W1



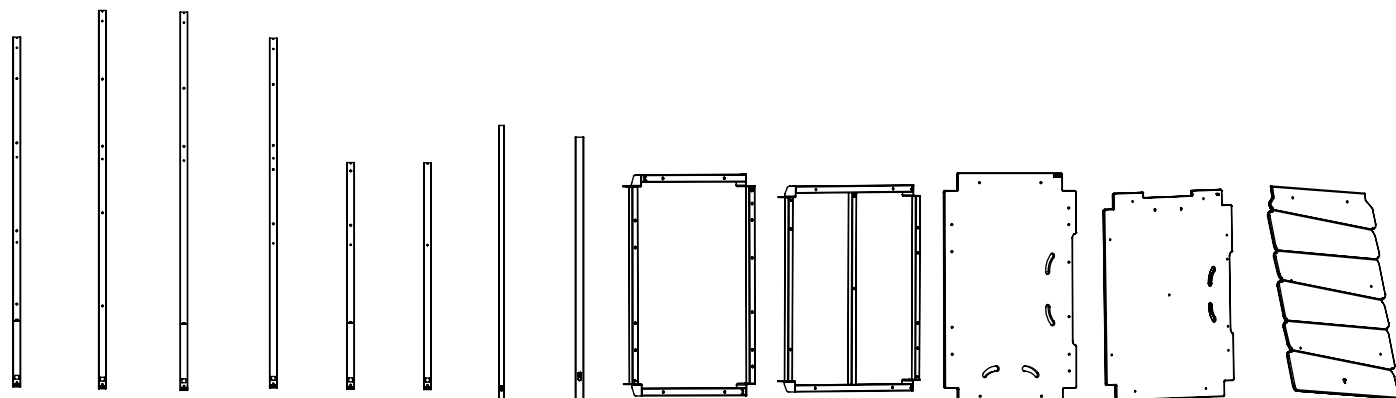
play
vinci



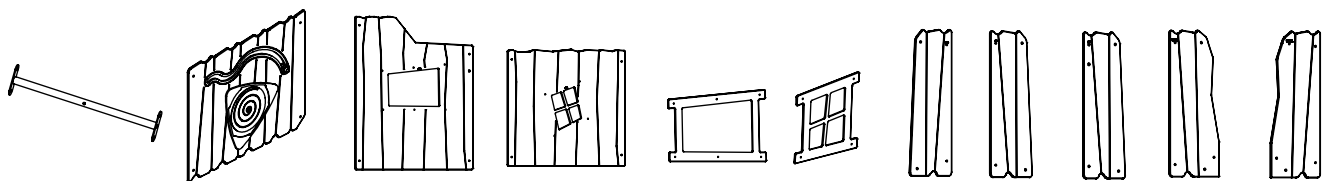
W2

[cm]

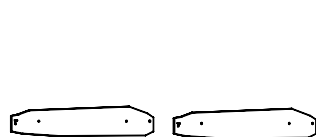
play
Vinci



0302A x1 0302B x1 0302C x1 0302D x1 0302E x1 0302F x1 CK1 x2 CK3 x3 032147 x1 032146 x1 031133 x1 031134 x1 031130 x1



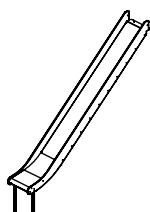
022103 x1 034153 x1 031143 x1 031138 x2 031144 x1 031110 x2 031140 x2 031139 x1 031141 x1 031135 x1 031136 x1



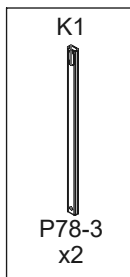
031159 x1 031137 x2



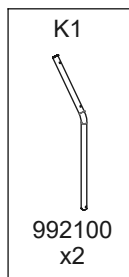
031197 x1



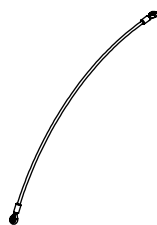
994137 x1



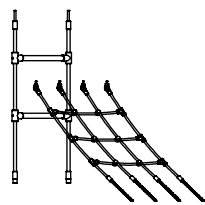
P78-3 x2



992100 x2



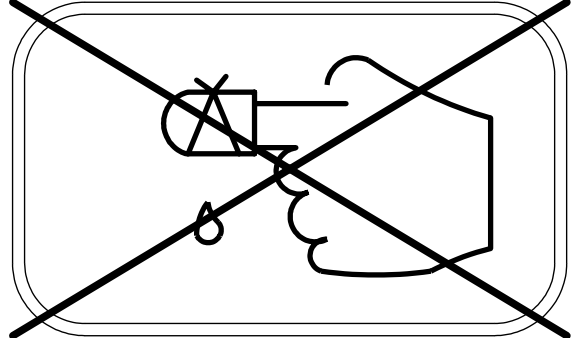
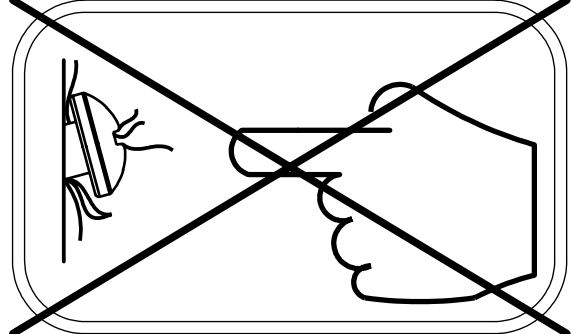
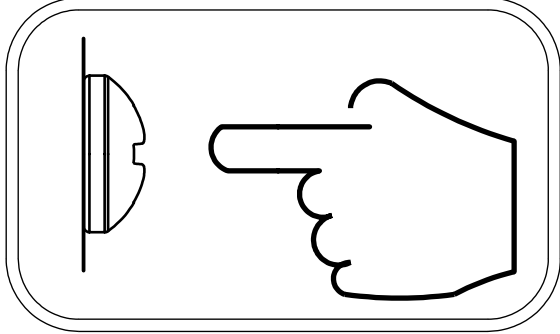
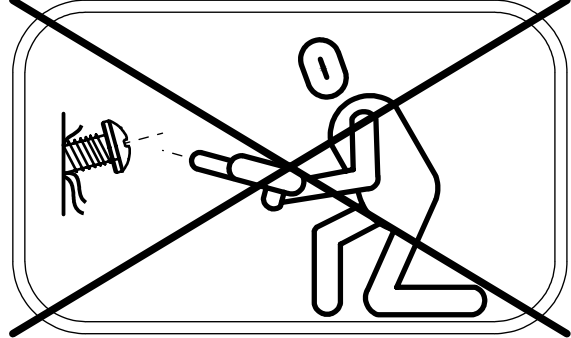
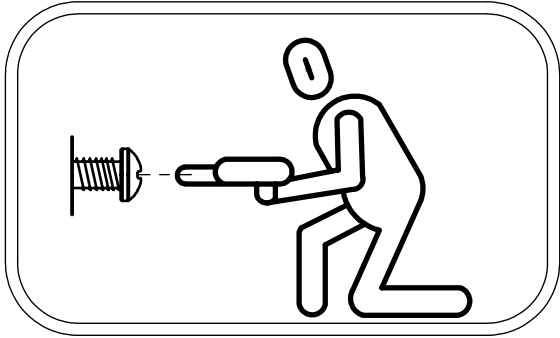
035105 x1

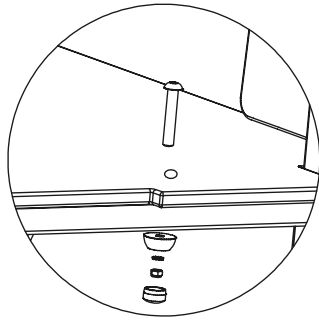
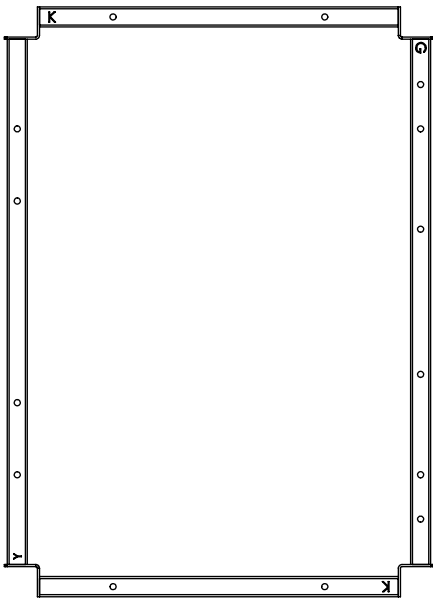


035100 x1

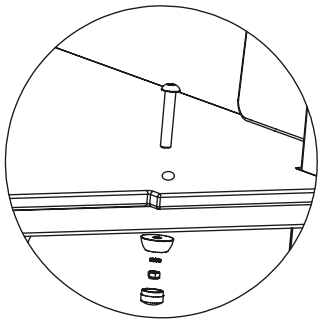
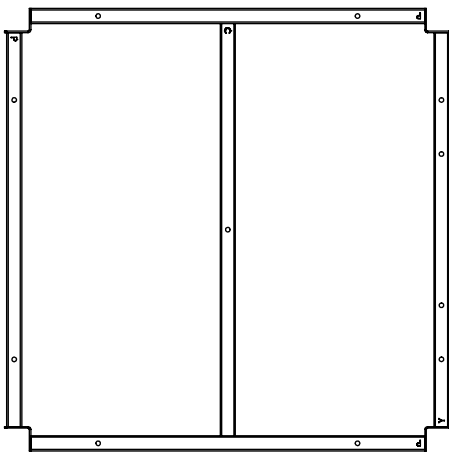
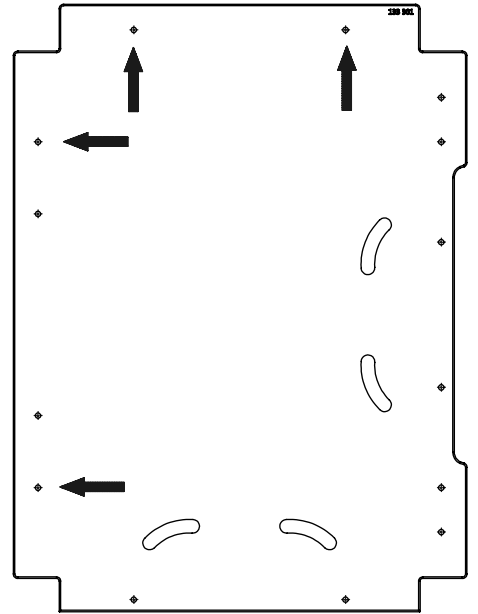
035107 x1

3 x CR1	1 x CR29 (S1)
6 x CR2	1 x CR33
3 x CR7	1 x CR34
2 x CR11	1 x CR35
3 x CR12	4 x CR47
1 x CR13	1 x E34 (K1)
2 x CR14	1 x CR89 (S6)
1 x CR18	1 x CR99
1 x CR20	2 x CR91
3 x CR24 (C9H)	2 x CR98 (C9H)
4 x CR45	2 x CR90 (C5H)
1 x CR68	1 x CR107 (C9H)
1 x CR27	1 x CR108 (C5H)
3 x CR22 (C5H)	1 x CR119

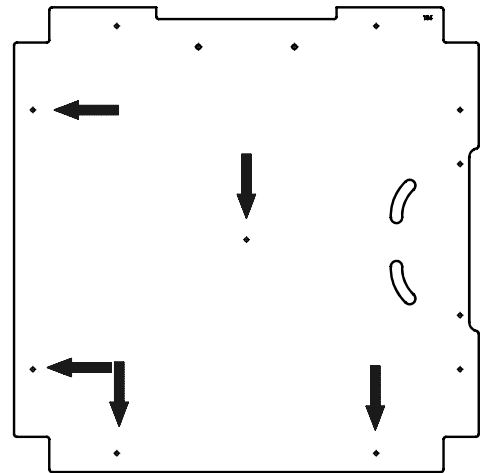




2 x CR45



2 x CR45
1 x CR68

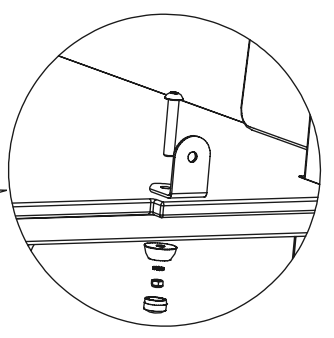
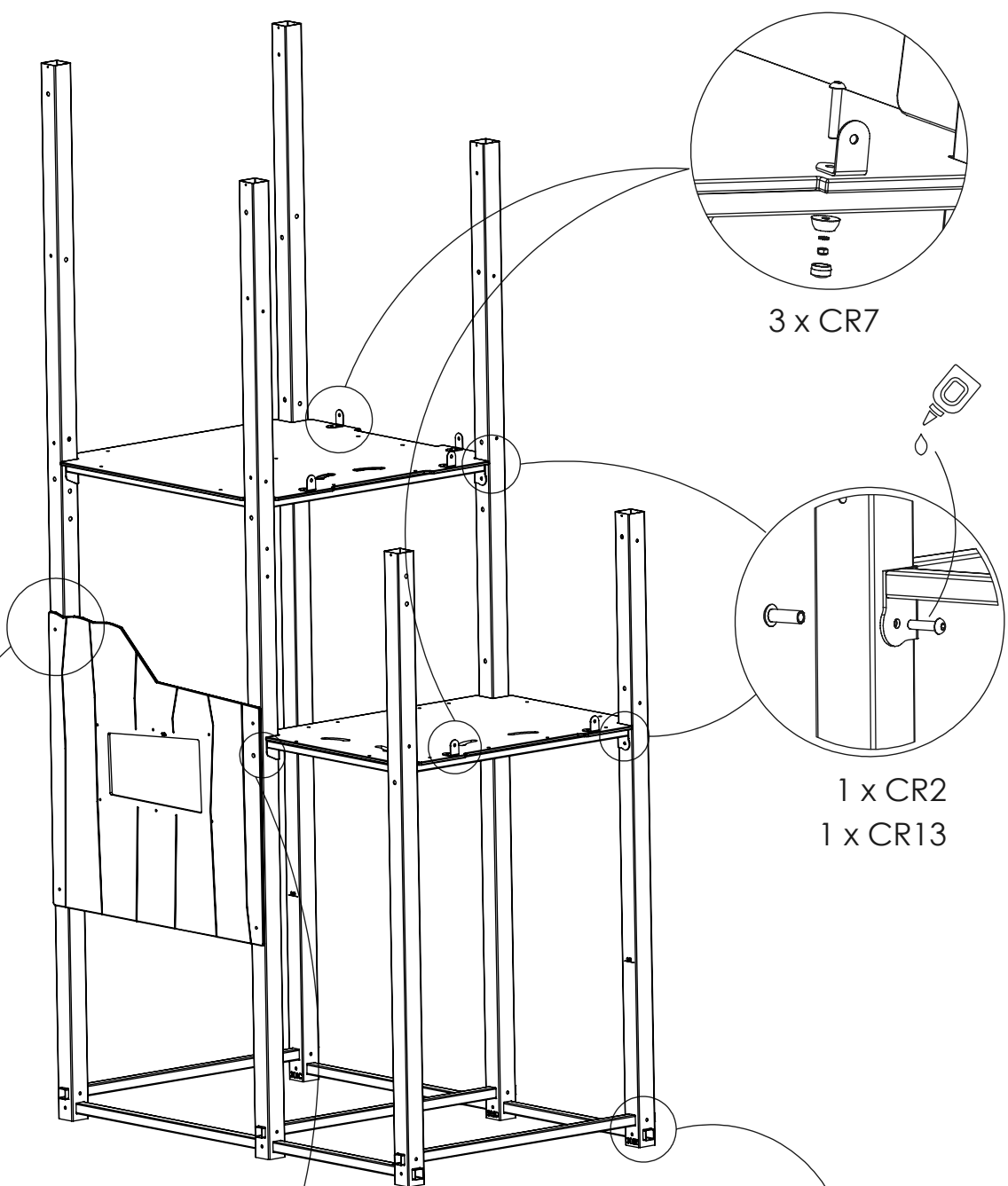


[cm]

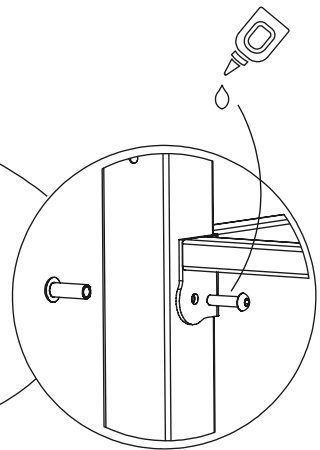
W2



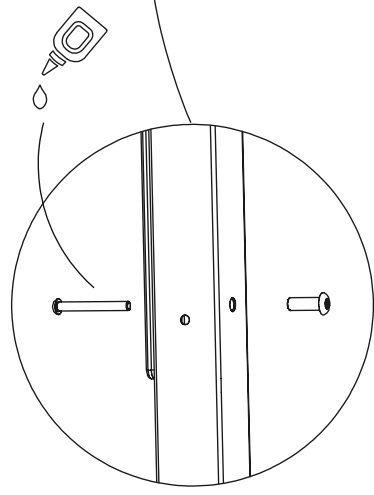
play
Viñci



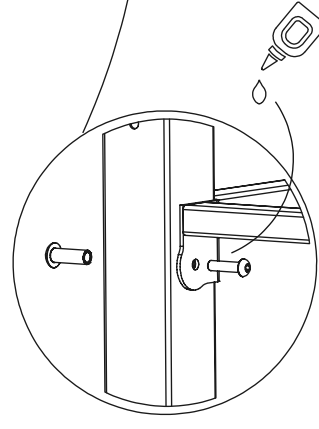
3 x CR7



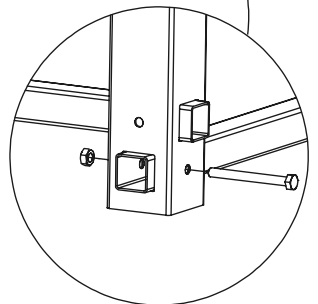
1 x CR2
1 x CR13



1 x CR2

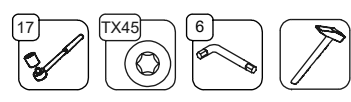


1 x CR11

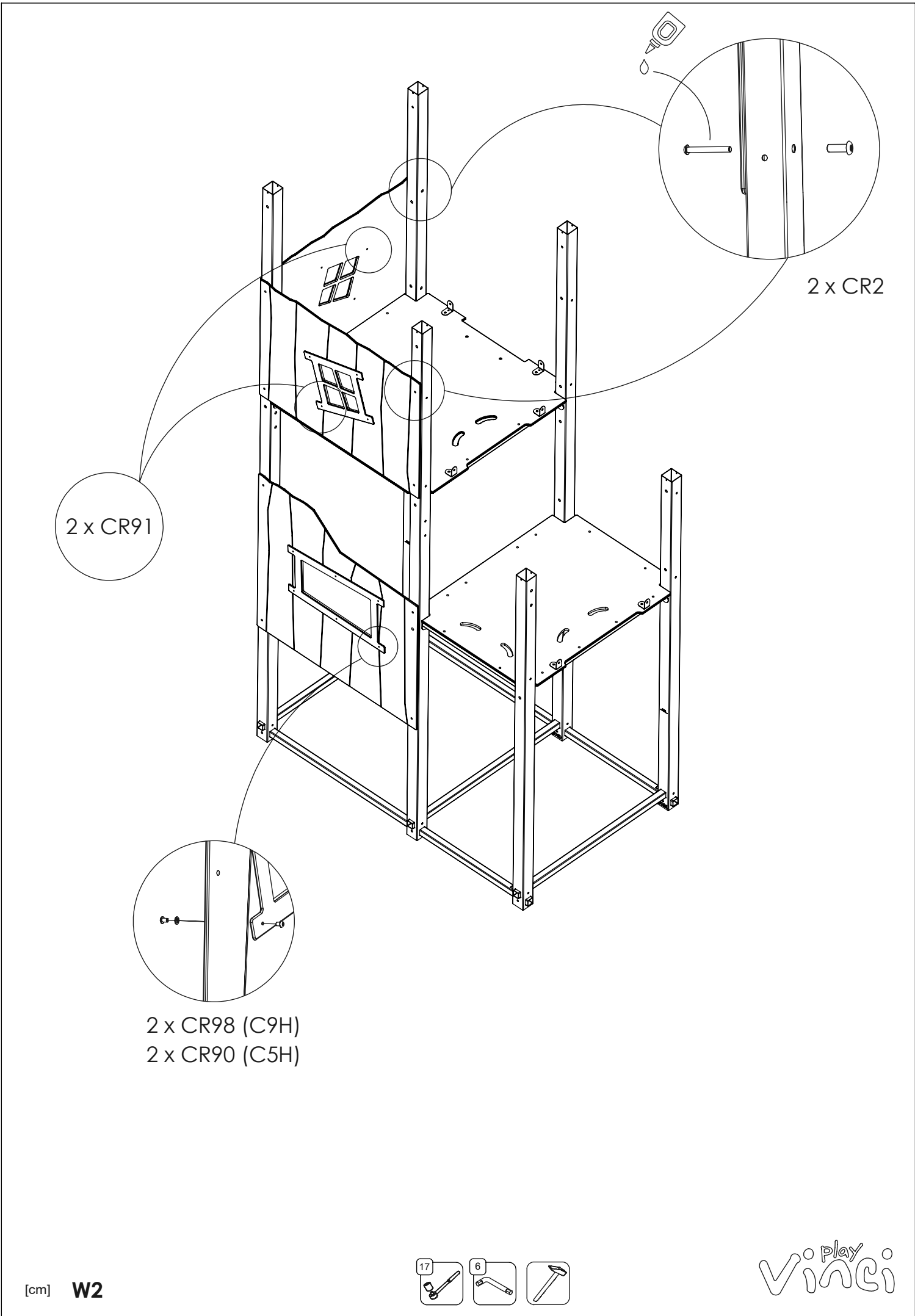


3 x CR1

[cm] **W2**

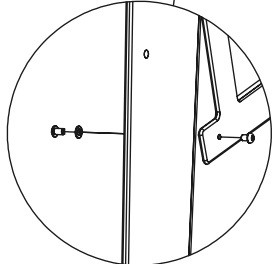


play
vinci



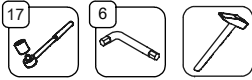
2 x CR2

2 x CR91

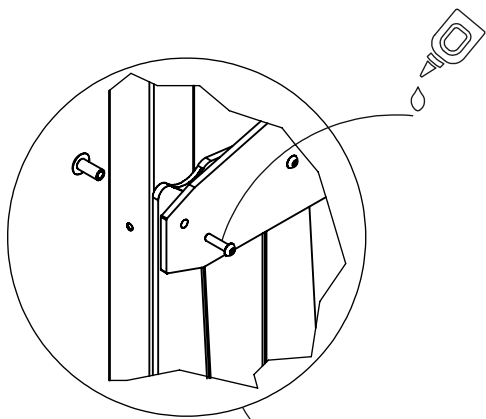


2 x CR98 (C9H)
2 x CR90 (C5H)

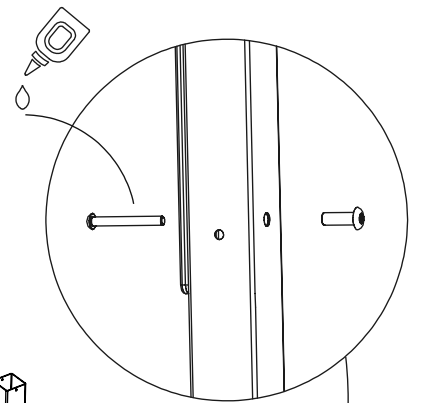
[cm] W2



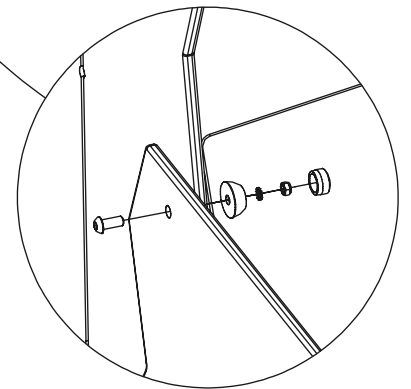
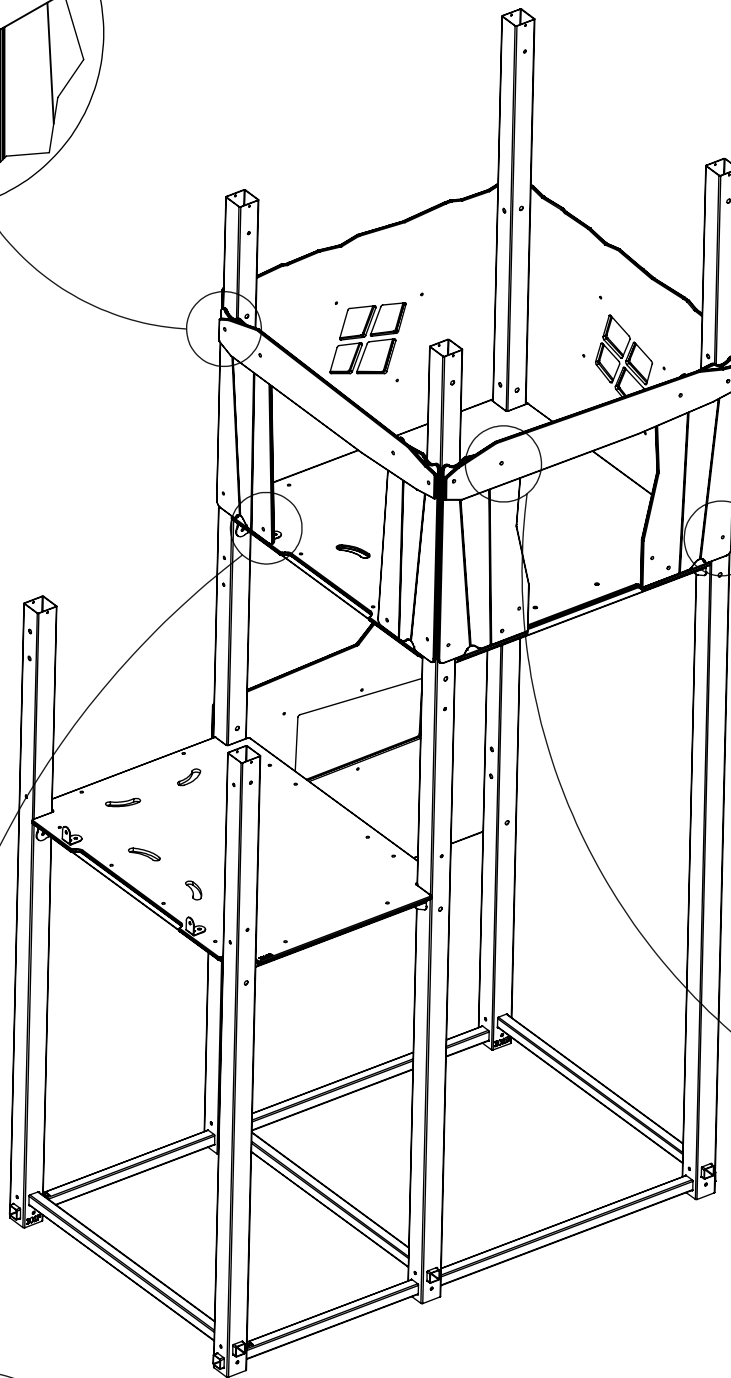
play
Vinci



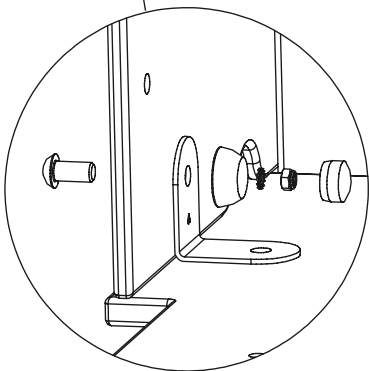
2 x CR12



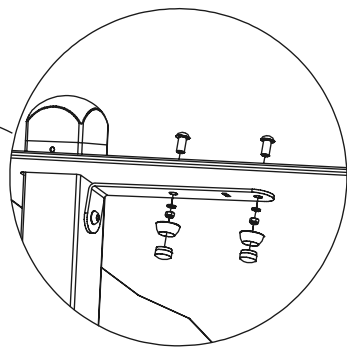
1 x CR2



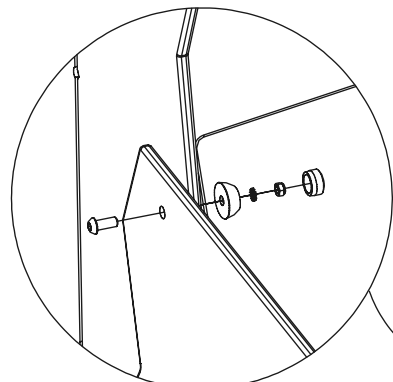
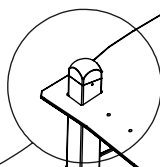
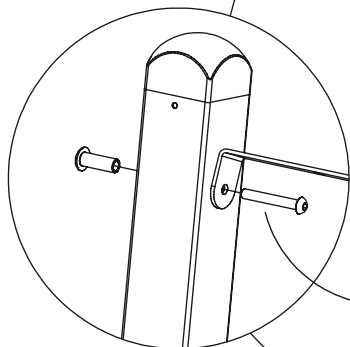
2 x CR24 (C9H)
2 x CR22 (C5H)



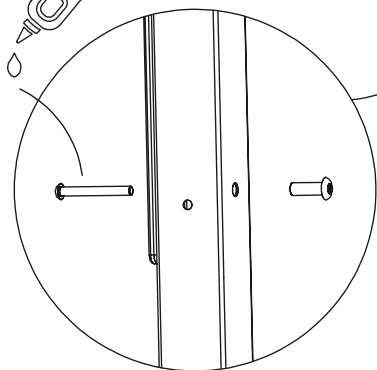
1 x CR20



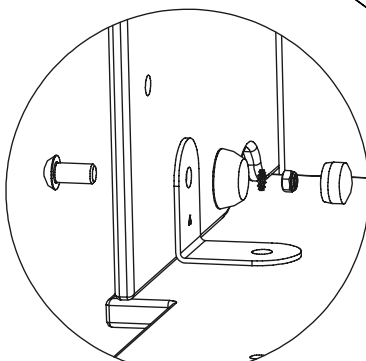
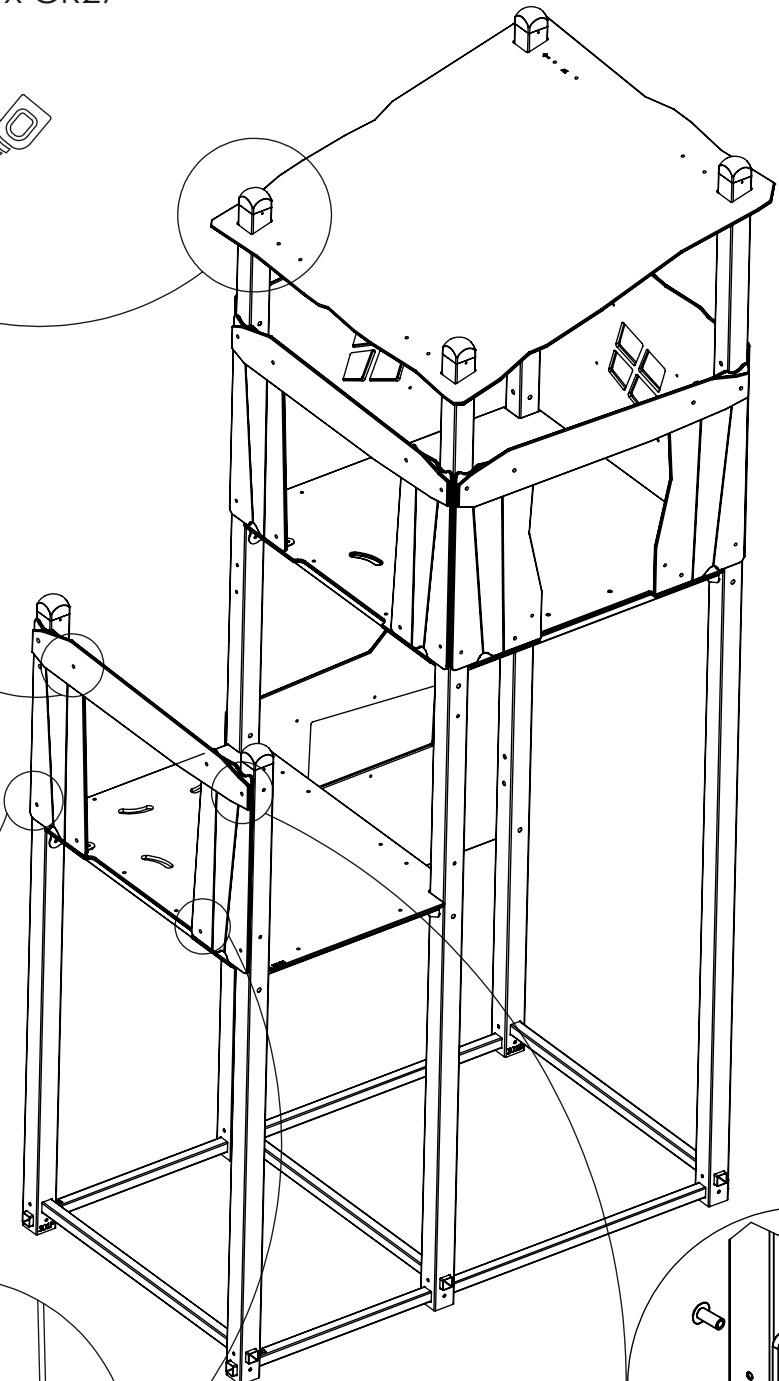
1 x CR27



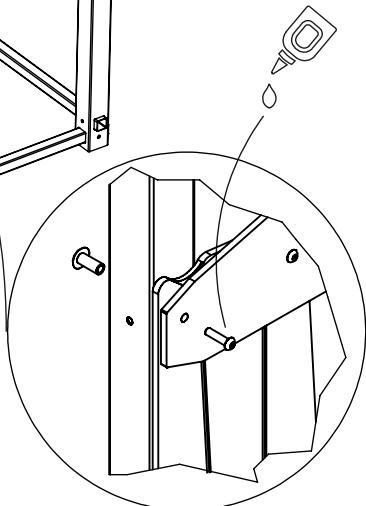
1 x CR24 (C9H)
1 x CR22 (C5H)



1 x CR14



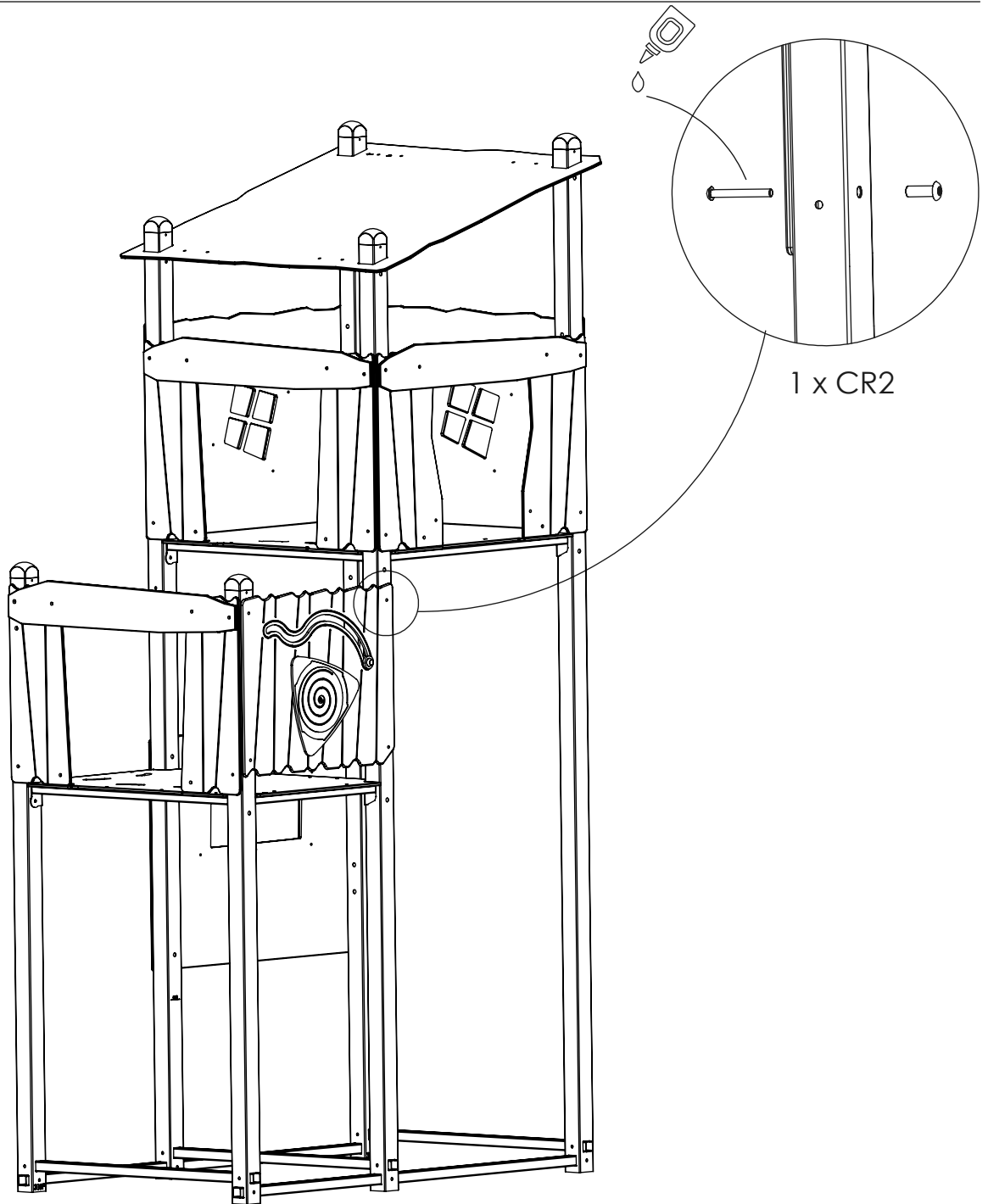
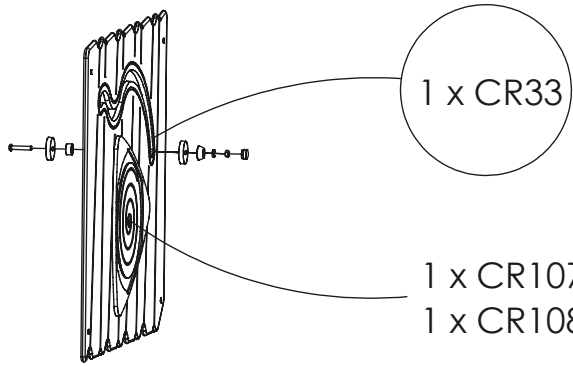
1 x CR18

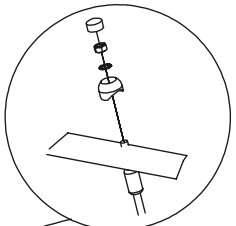
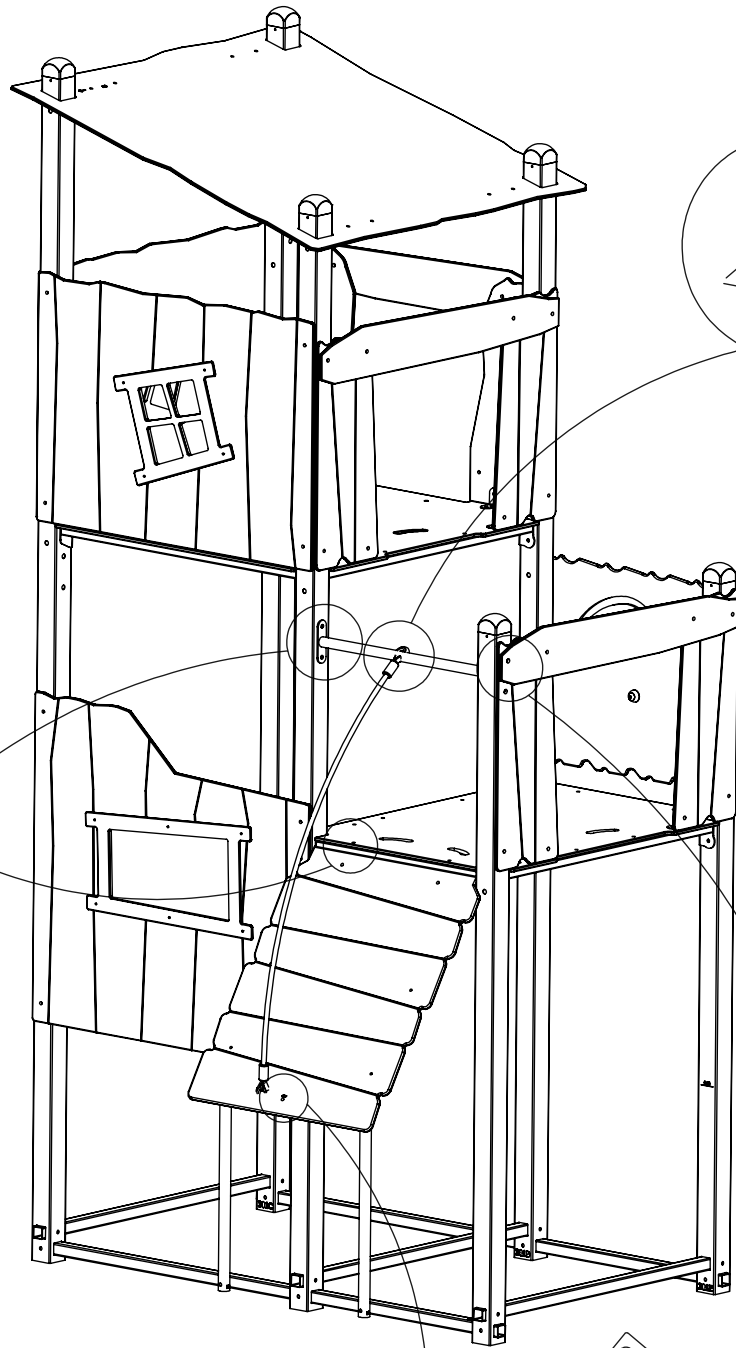


1 x CR11

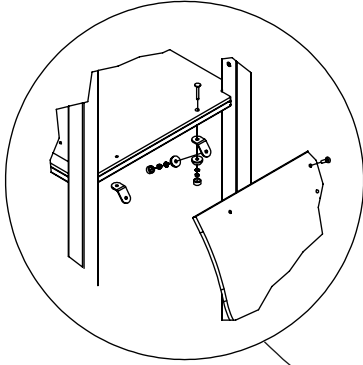
[cm] **W2**

play
Viinci

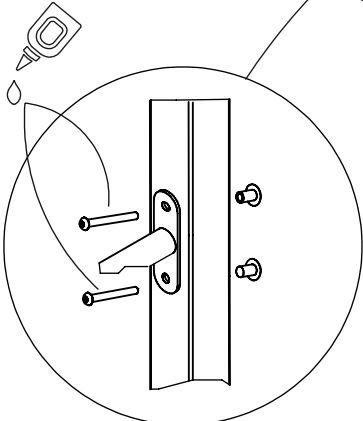




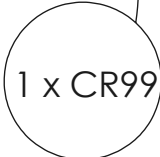
1 x CR34



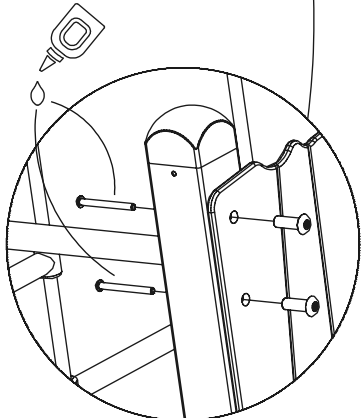
1 x CR34



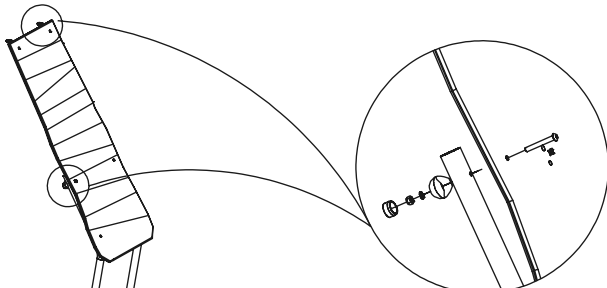
1 x CR14



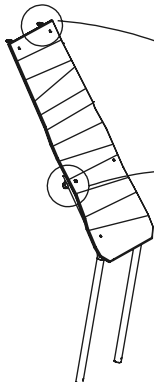
1 x CR99



1 x CR12

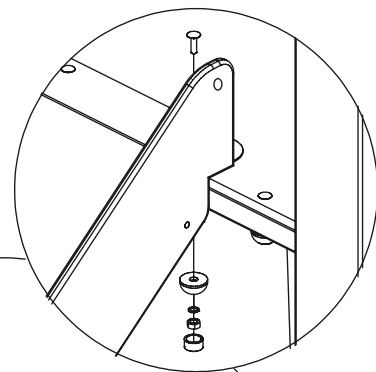
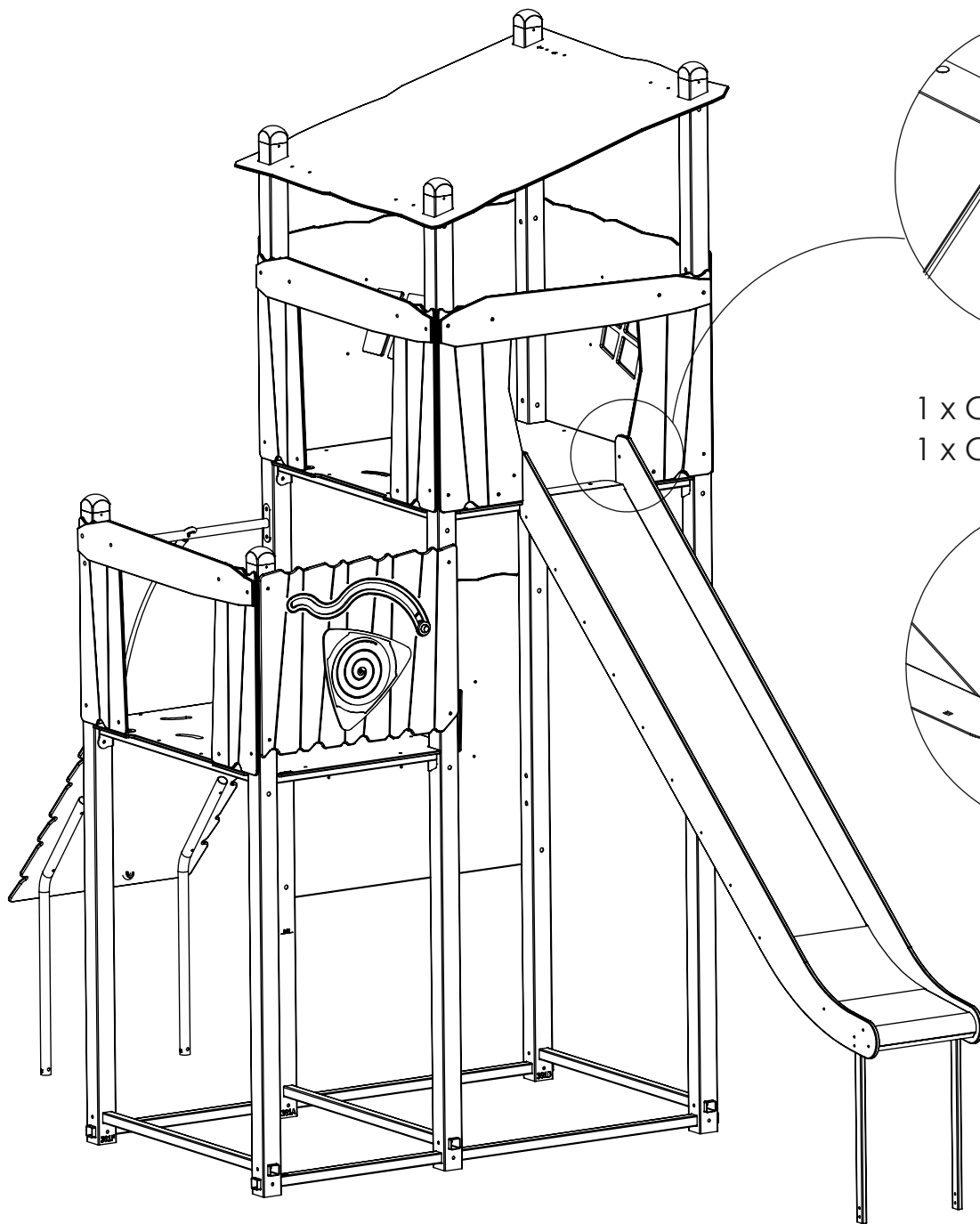


1 x CR34

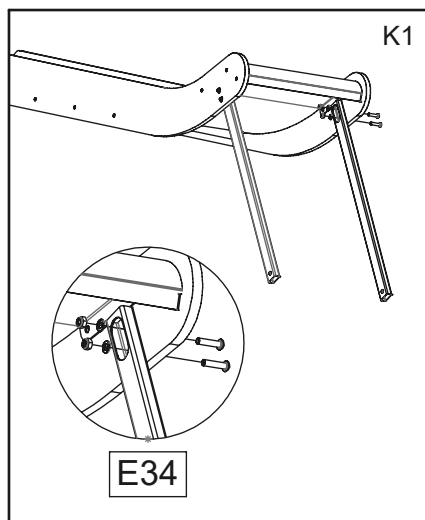
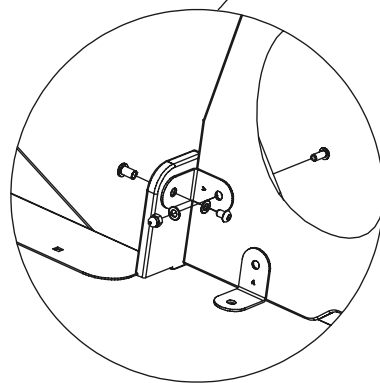


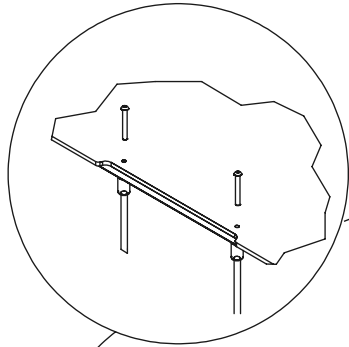
[cm] **W2**

play
vinici

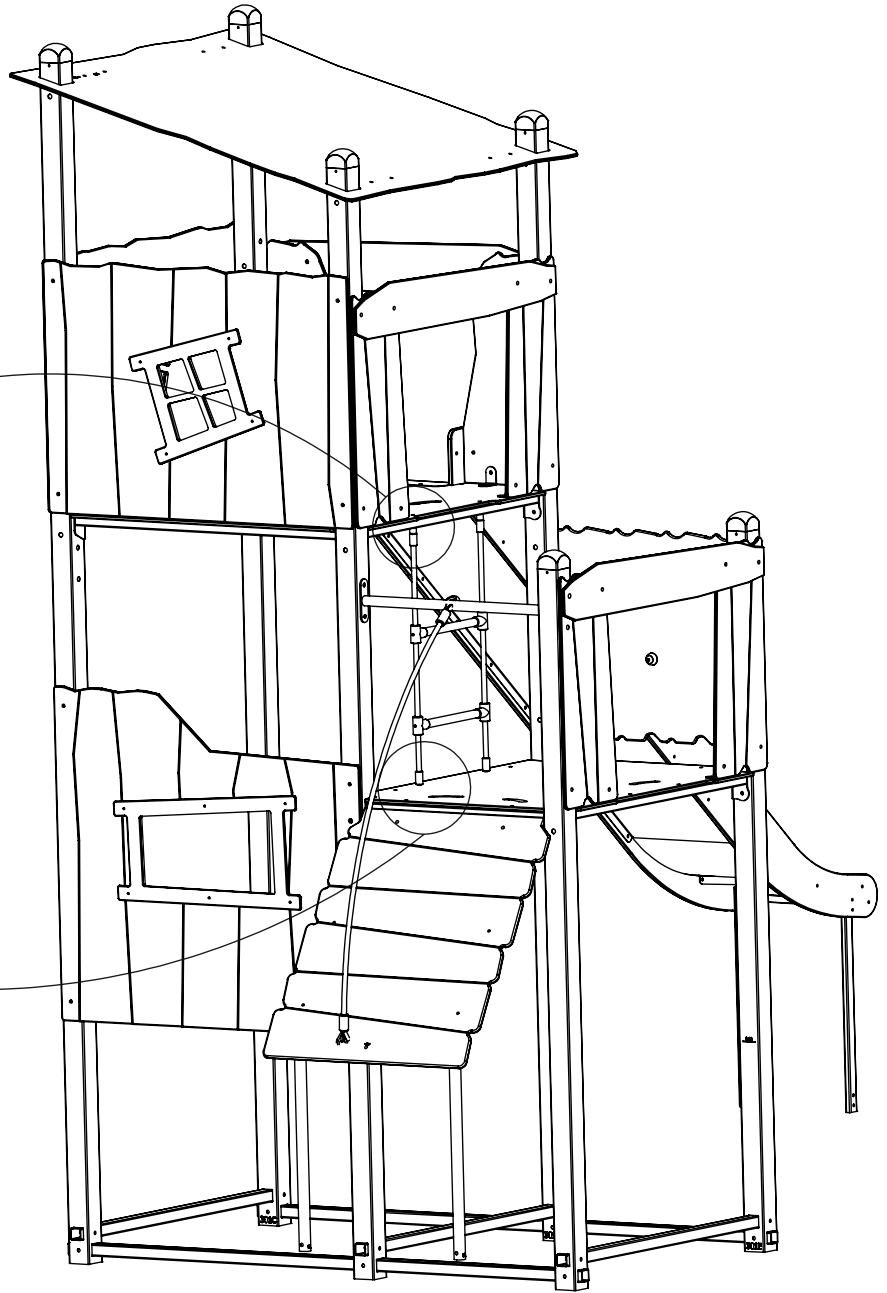
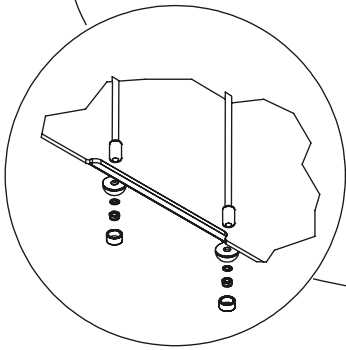


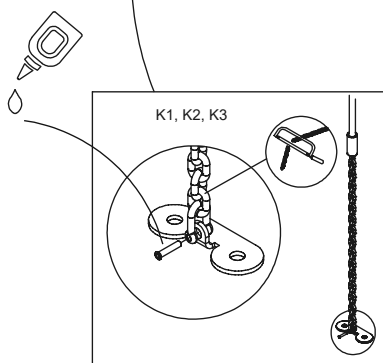
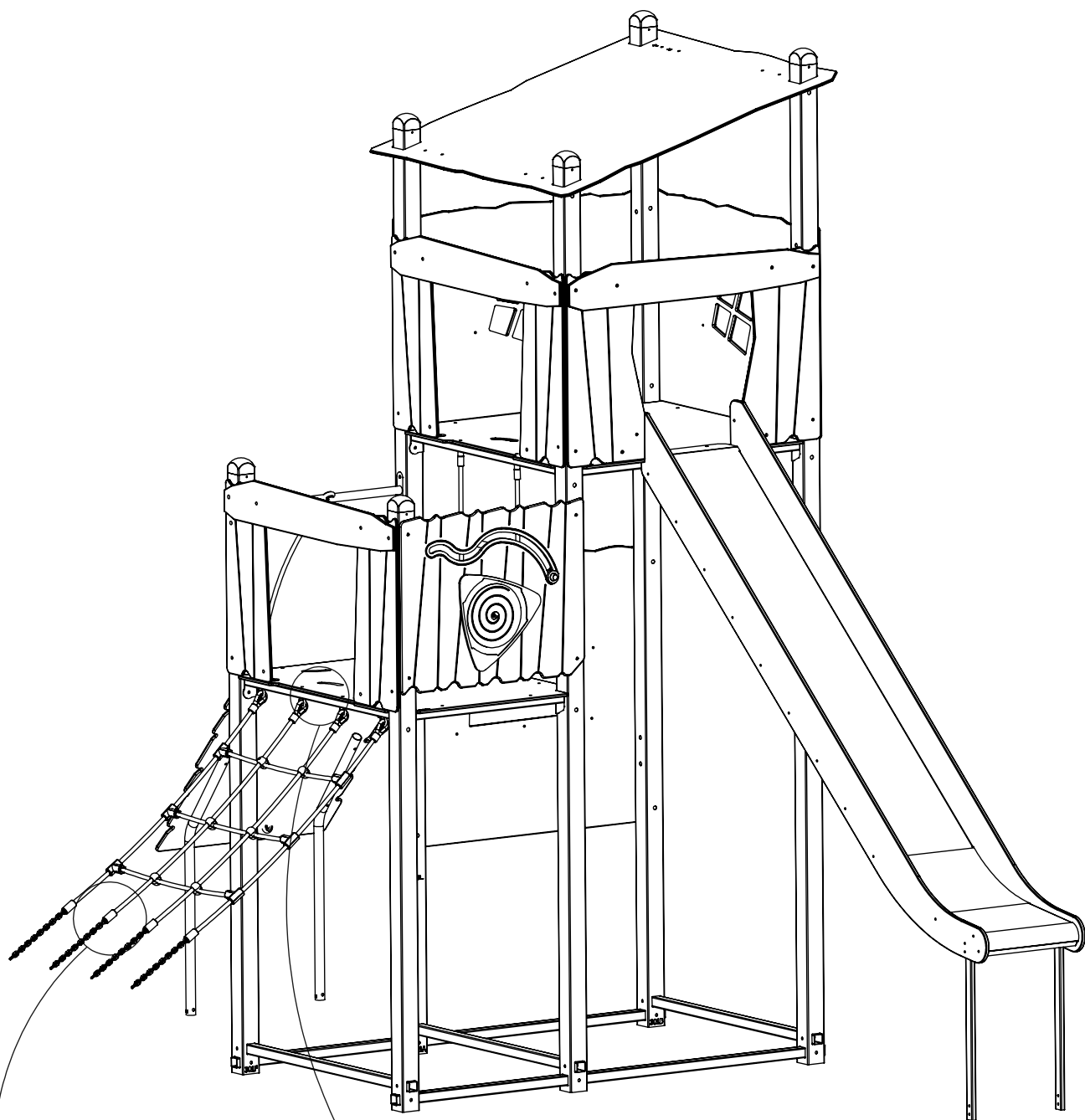
1 x CR29 (S1)
1 x CR89 (S6)



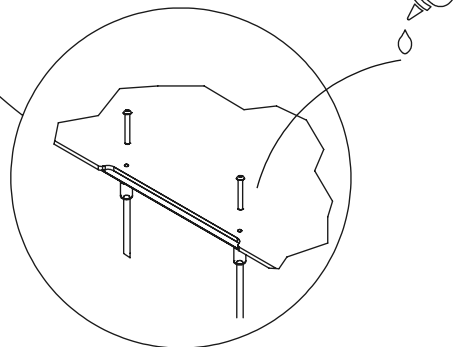


1 x CR119

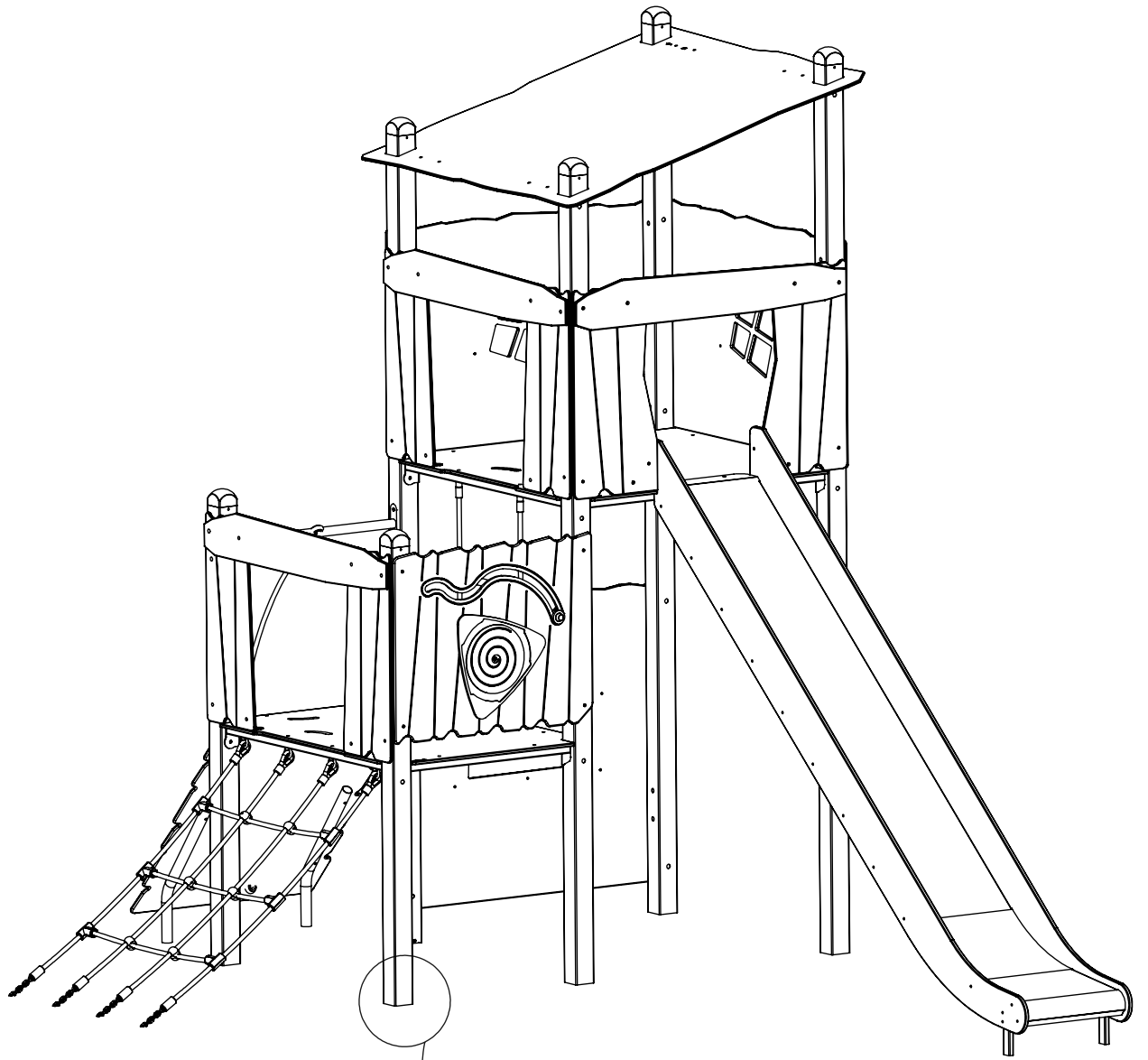


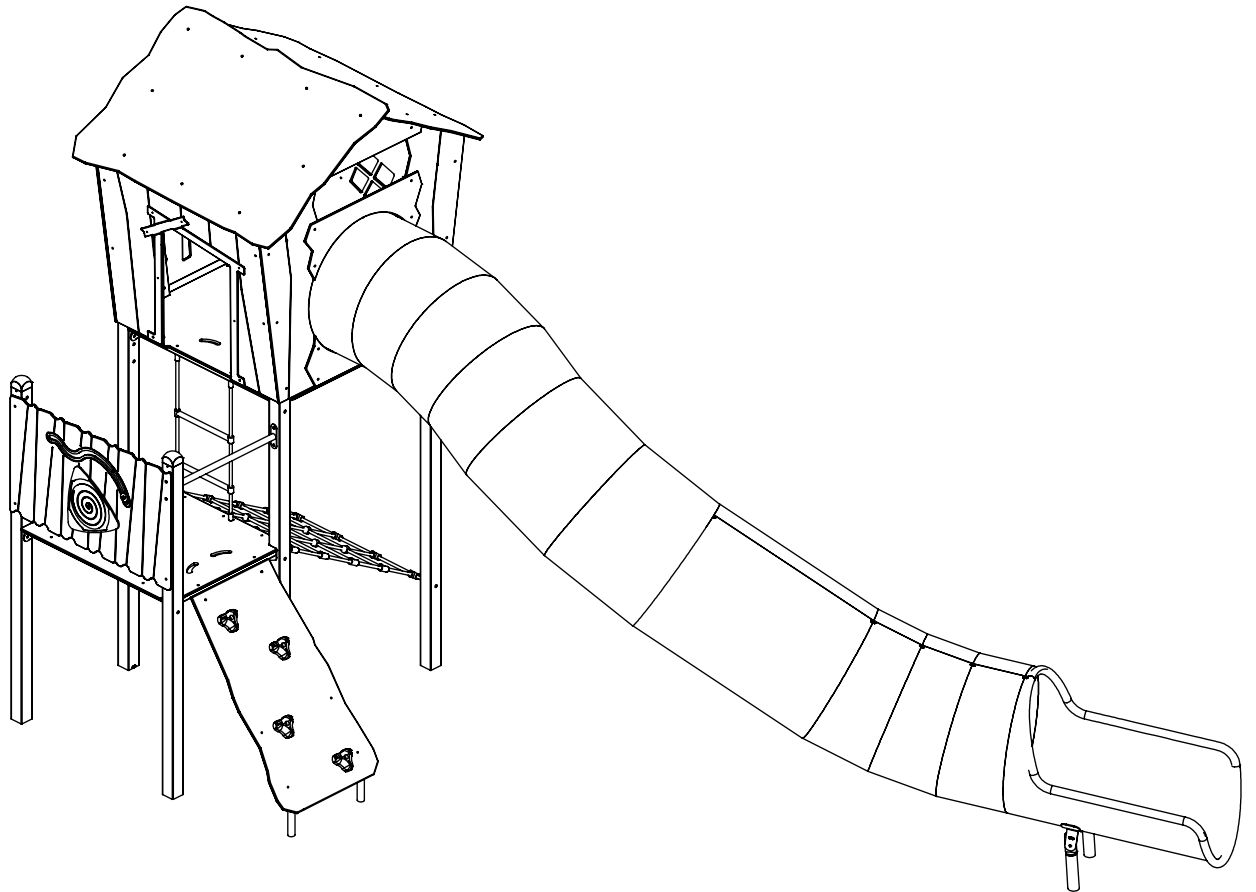


4 x CR47



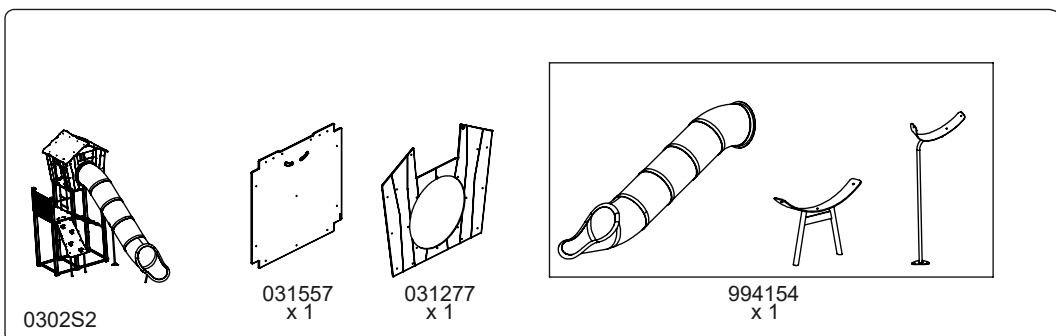
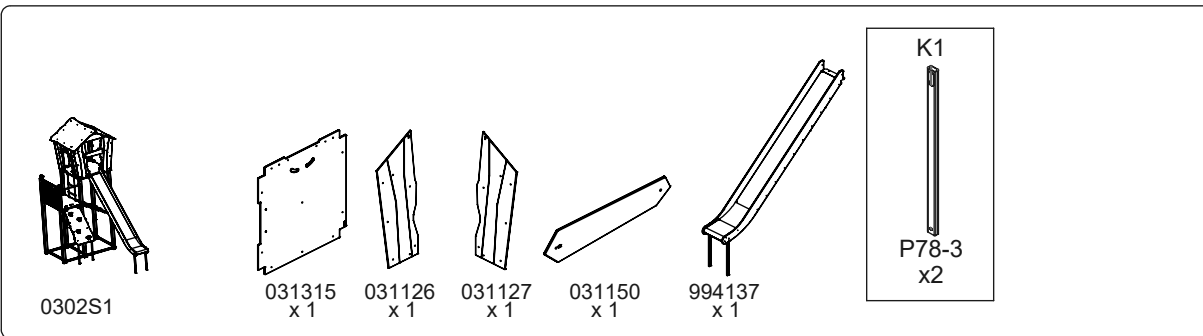
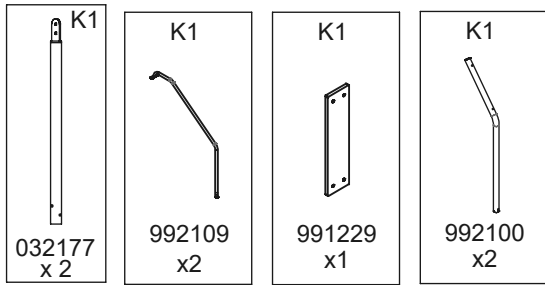
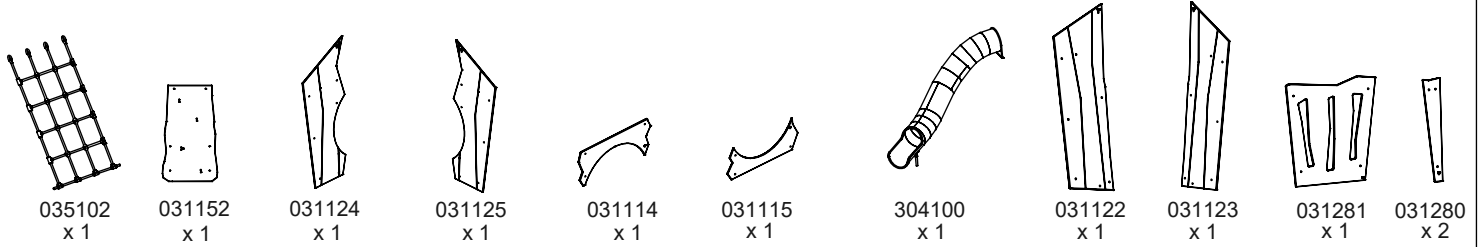
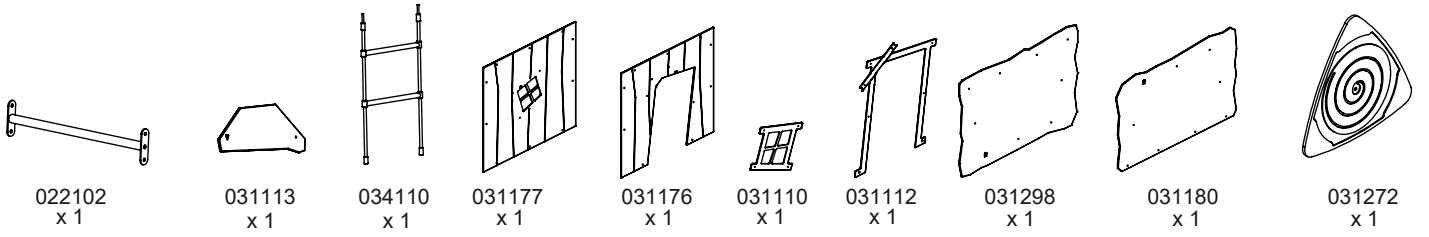
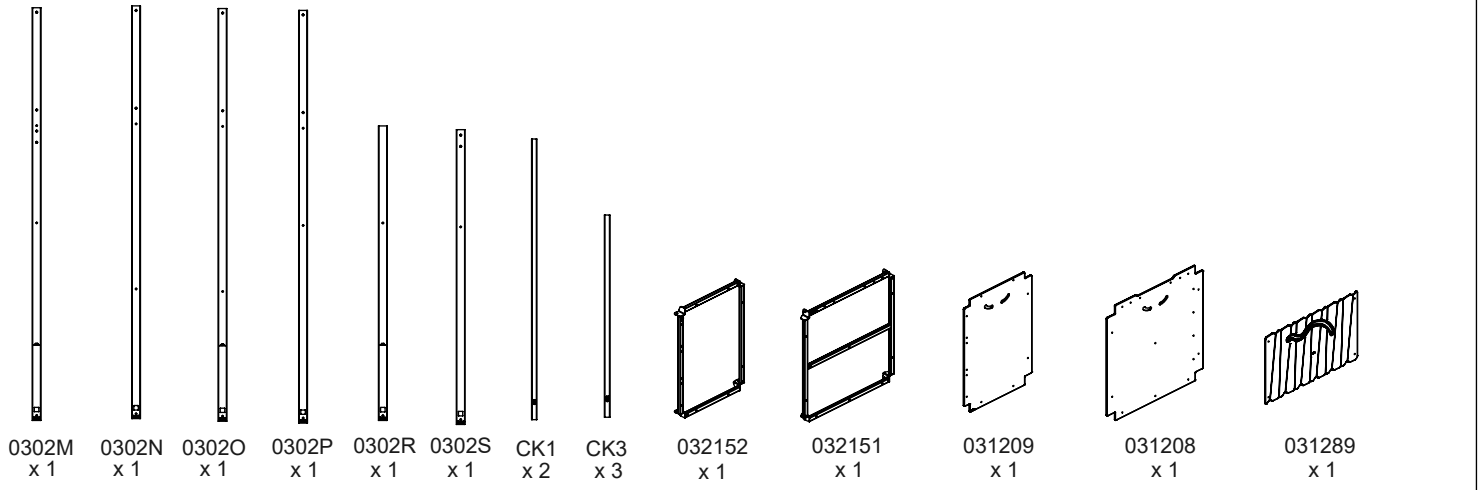
1 x CR35





W3

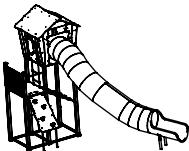
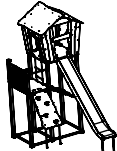

play
Vinci

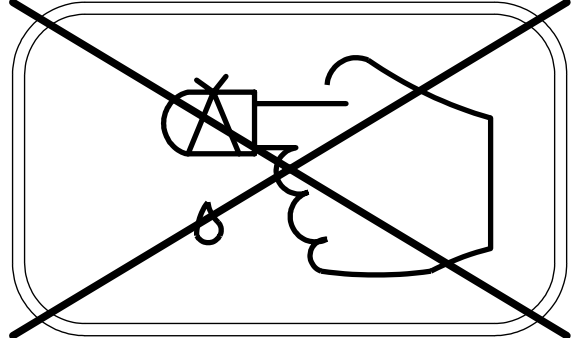
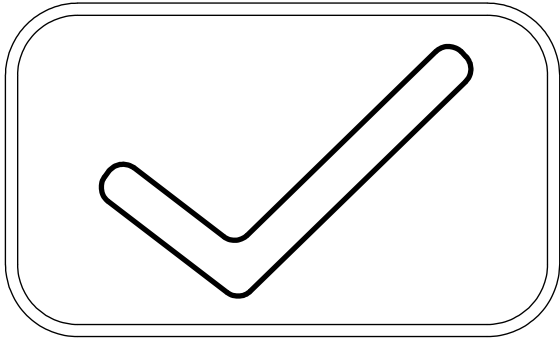
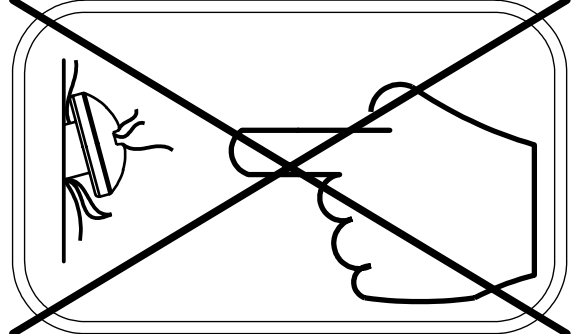
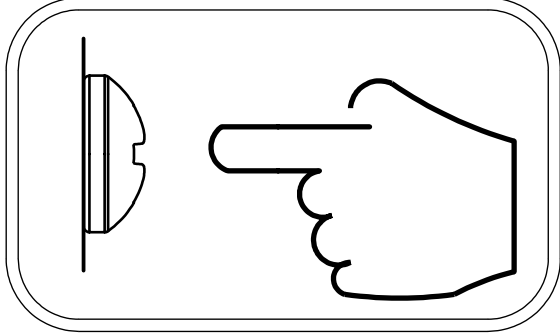
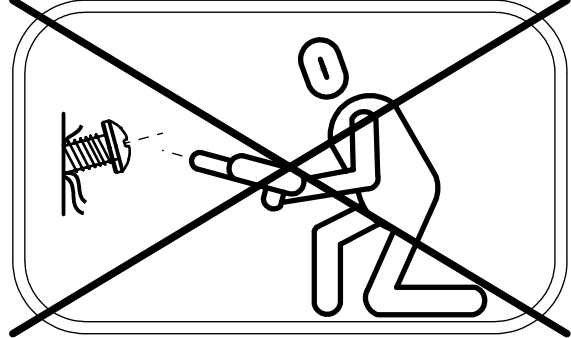
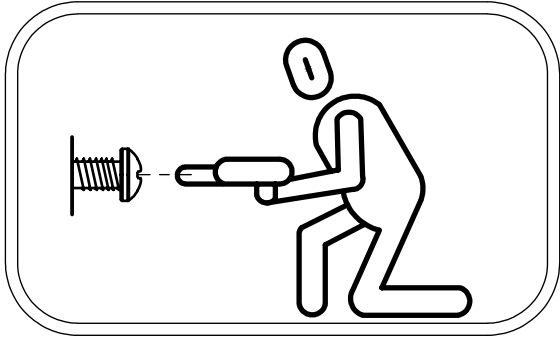


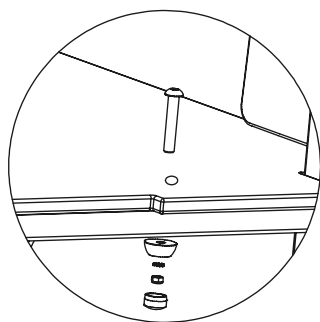
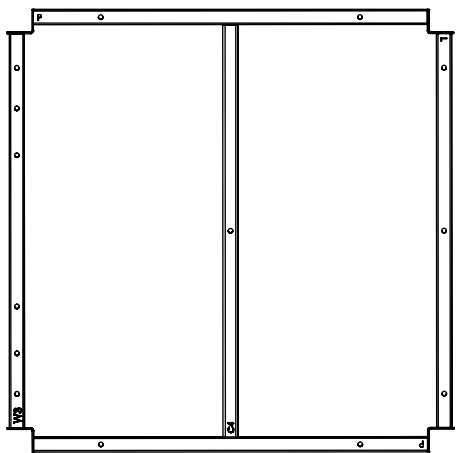
[cm] W3

play
Vinci

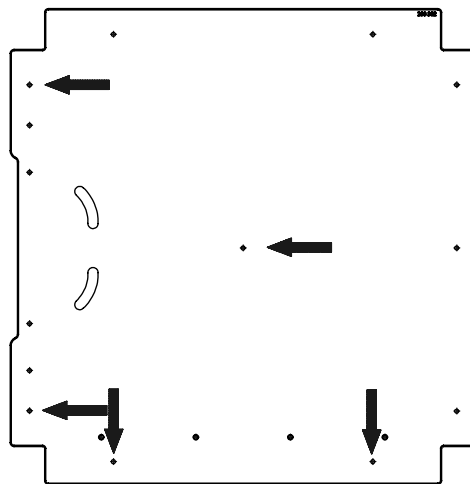
3 x CR45	1 x CR26
1 x CR68	1 x CR37
3 x CR1	2 x CR41
4 x CR2	1 x CR42
1 x CR4	1 x CR43
1 x CR5	1 x CR91
2 x CR10	2 x CR98
1 x CR12	1 x CR34
1 x CR13	1 x CR33
1 x CR14	1 x CR107 (C9H)
2 x CR15	1 x CR108 (C5H)
1 x CR18	1 x V001
1 x CR19	
5 x CR20	
1 x CR119	
1 x CR113	

 <p>0302S3</p>	 <p>0302S1</p>	 <p>0302S2</p>
1 x CR45	1 x CR24 (C9H)	1 x CR106
1 x CR8	1 x CR29 (S1)	1 x CR7
1 x CR102	1 x CR89 (S6)	1 x CR18
4 x CR24 (C9H)	1 x E34 (K1)	1 x E179
4 x CR22 (C5H)	1 x CR22 (C5H)	

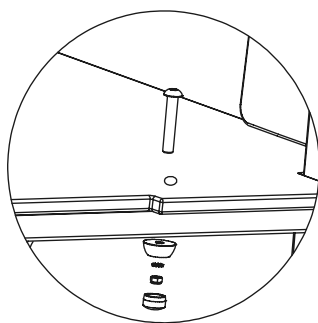
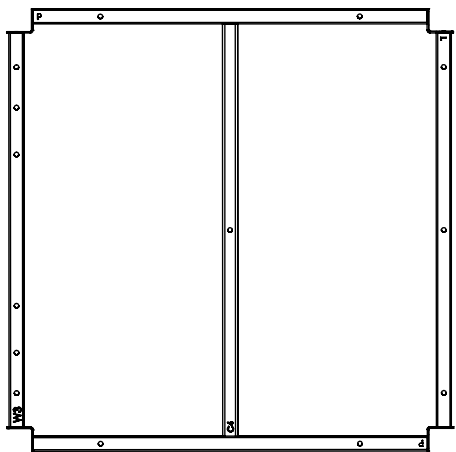




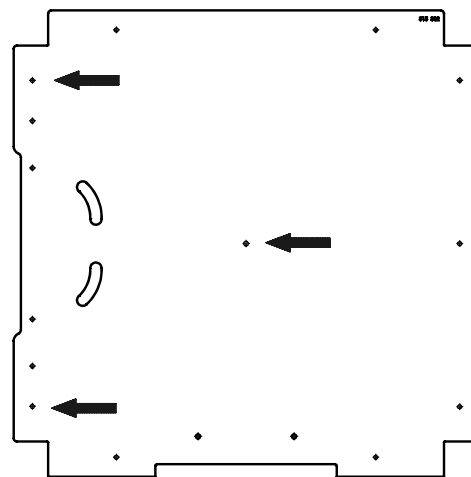
1 x CR68
2 x CR45



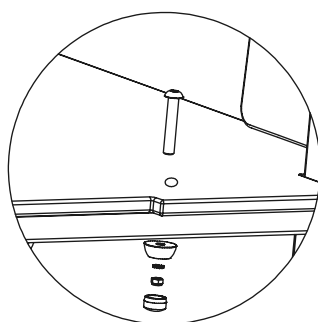
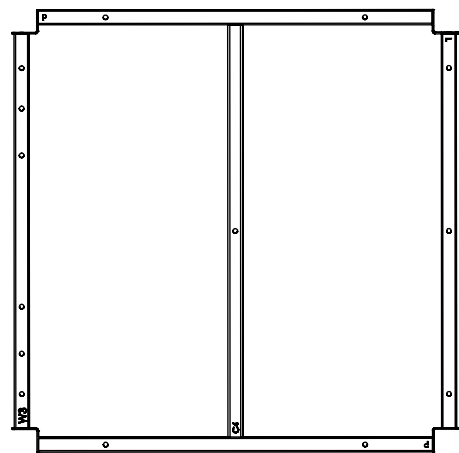
0302S3



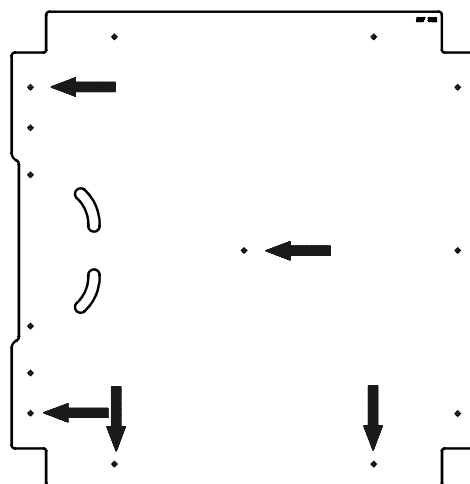
1 x CR68
1 x CR45



0302S1



1 x CR68
1 x CR45

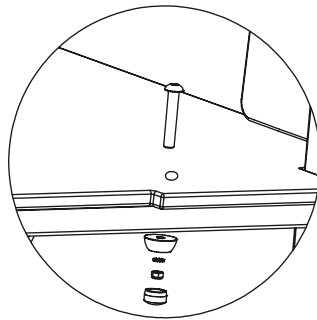
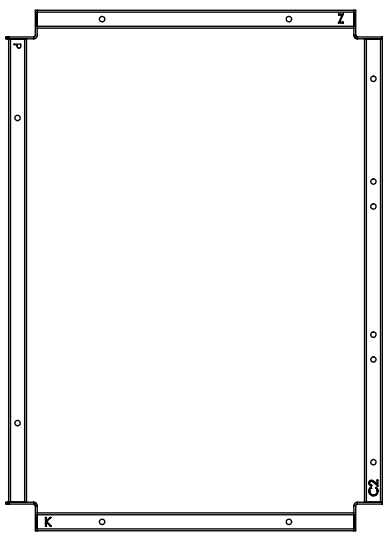


0302S2

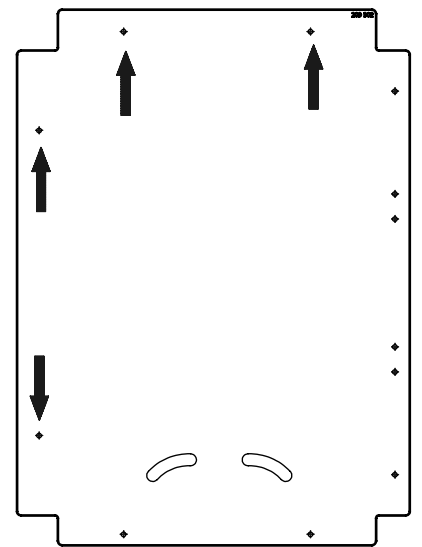
[cm] W3



play
vinici



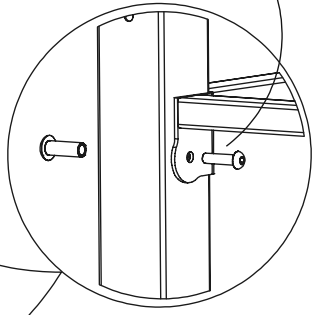
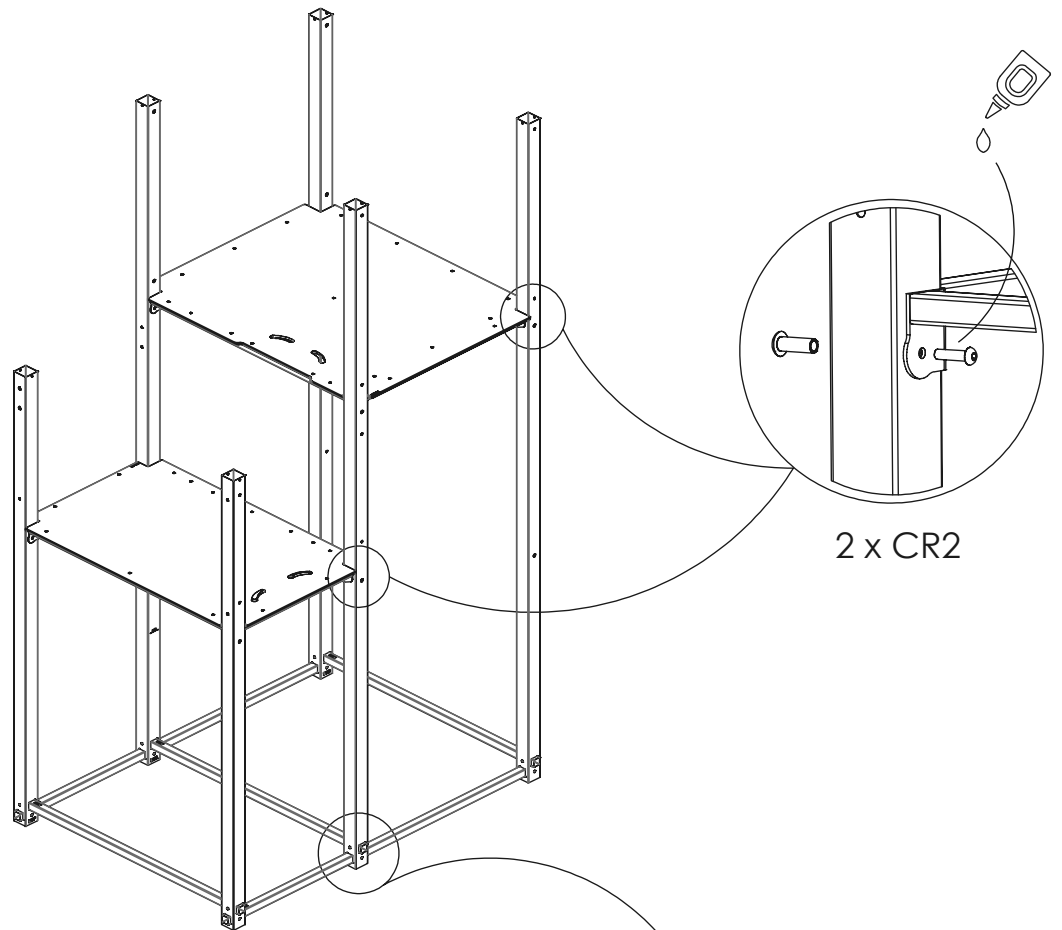
2 x CR45



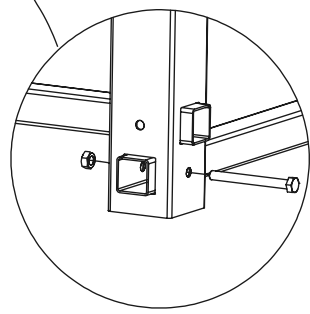
[cm] W3



play
vinci



2 x CR2

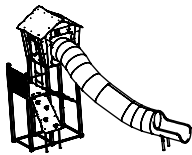


3 x CR1

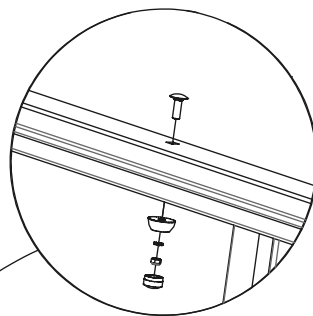
[cm] W3



play
vinci



0302

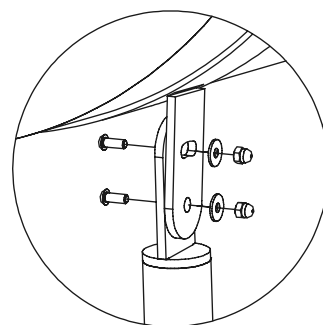


1 x CR8

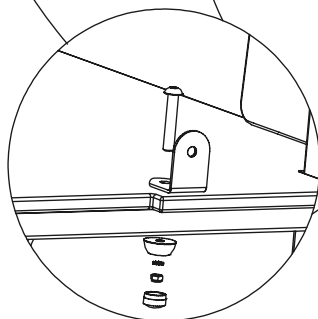
1 x CR4

1 x CR42

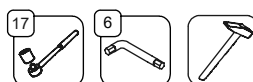
1 x CR5



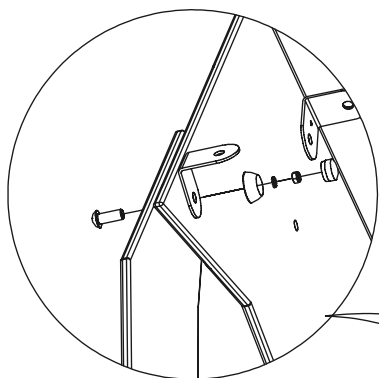
1 x CR102



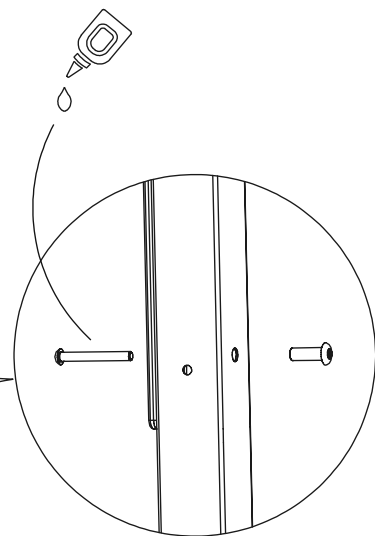
[cm] W3



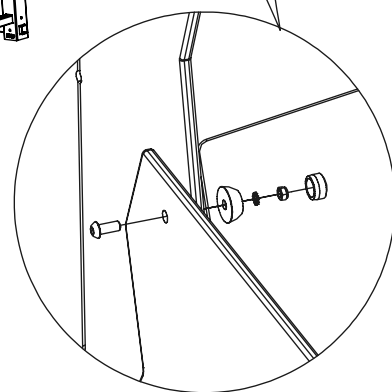
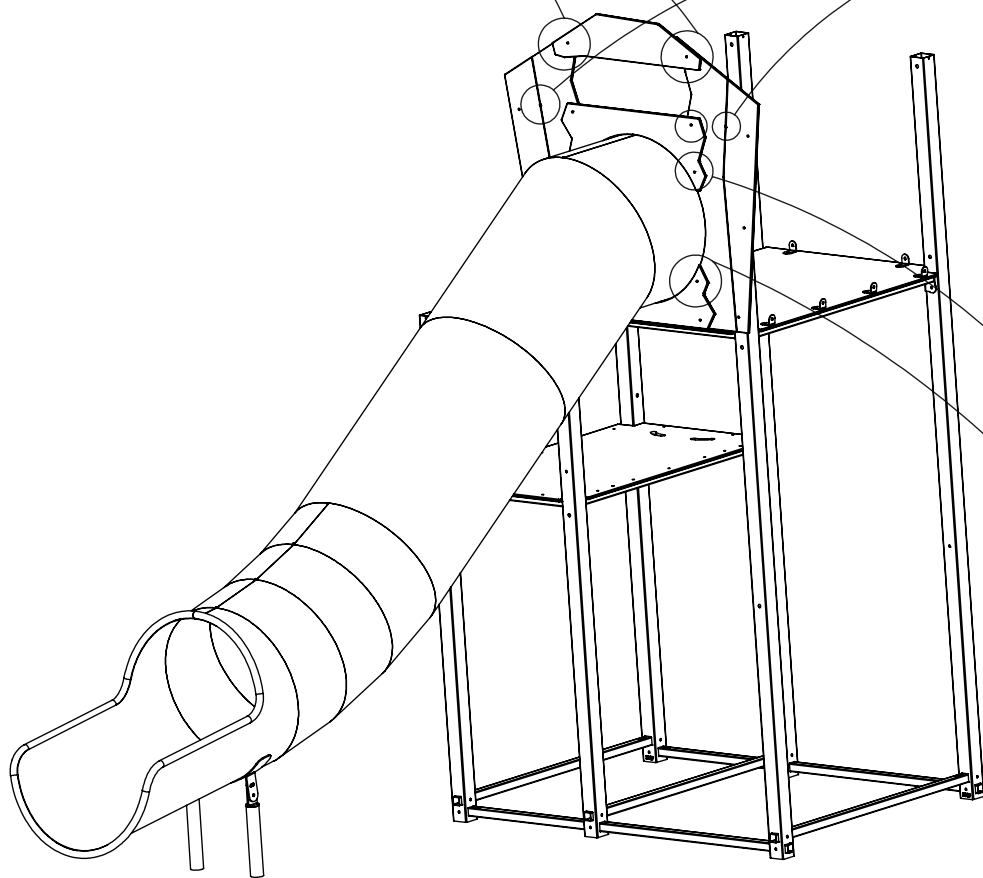
play
vinici



1 x CR10



1 x CR2

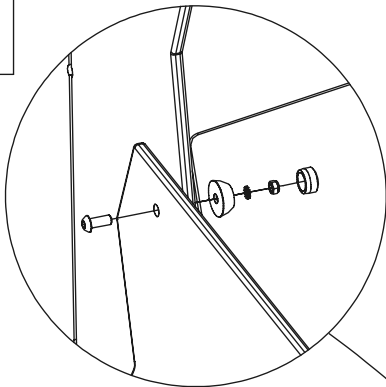
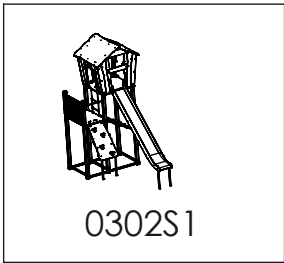


4 x CR24 (C9H)

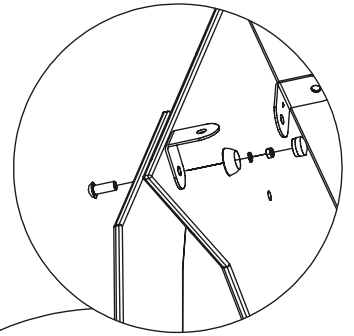
4 x CR22 (C5H)

[cm] W3

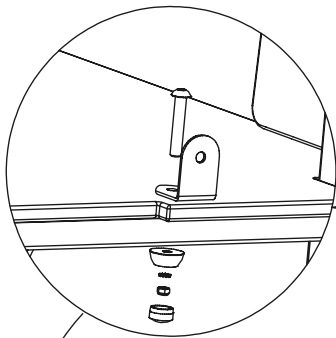
play
vinci



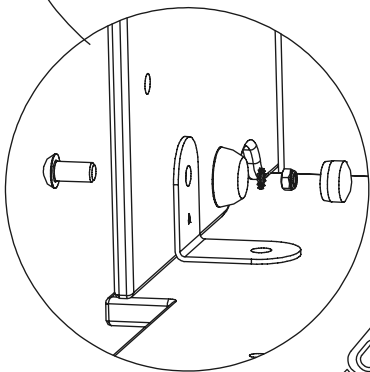
1 x CR24 (C9H)
1 x CR22 (C5H)



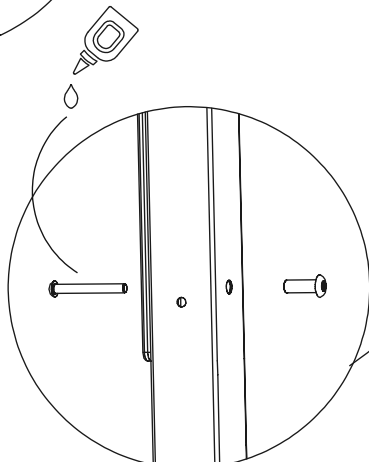
1 x CR10



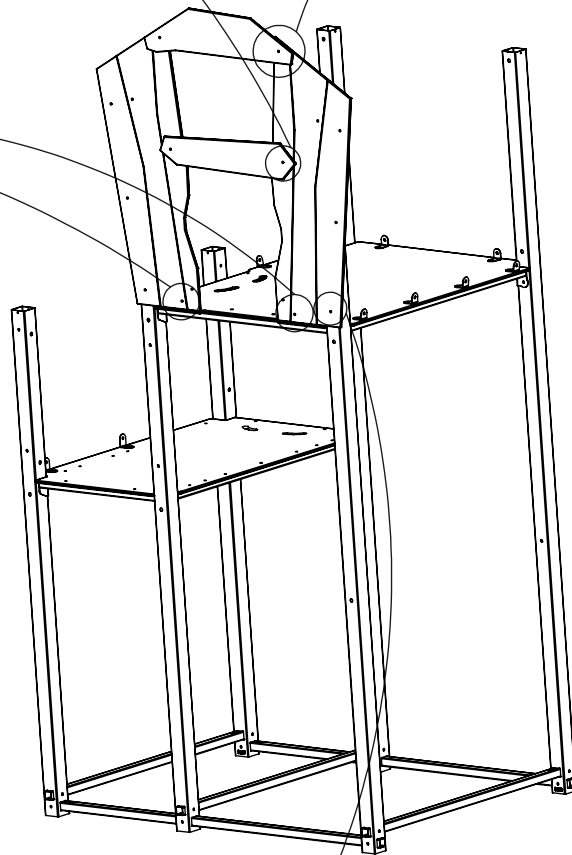
1 x CR7



1 x CR18



1 x CR2

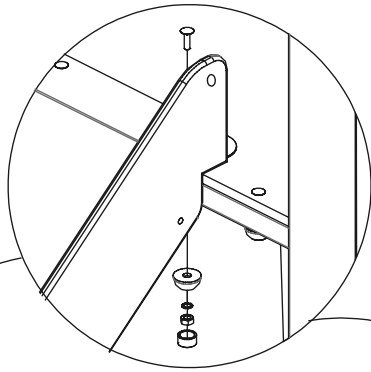


[cm] W3

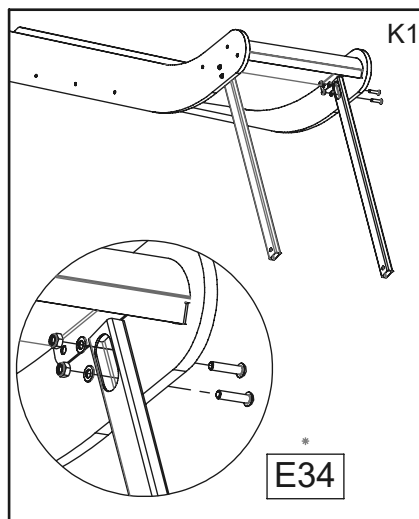
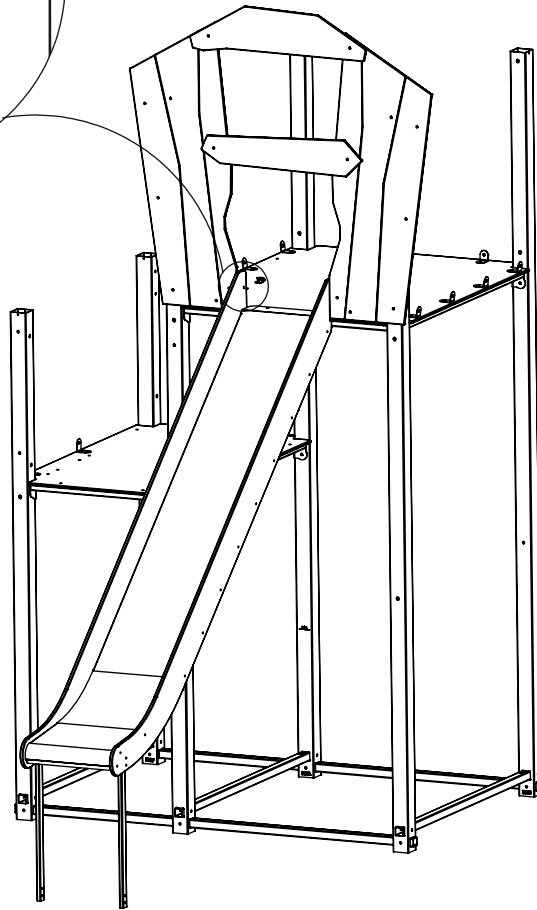
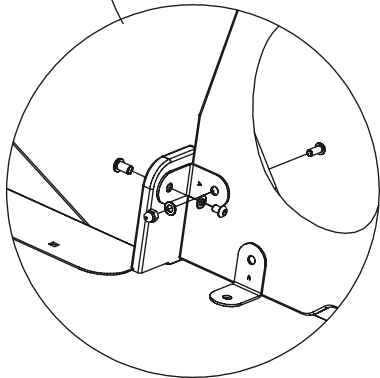
play
Vinci



0302S1



1 x CR29 (S1)
1 x CR89 (S6)

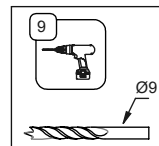
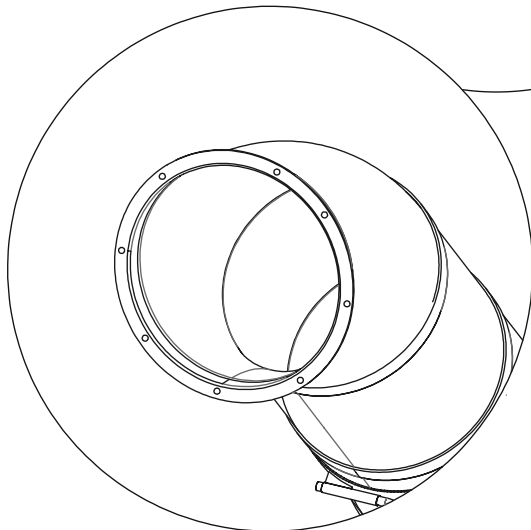
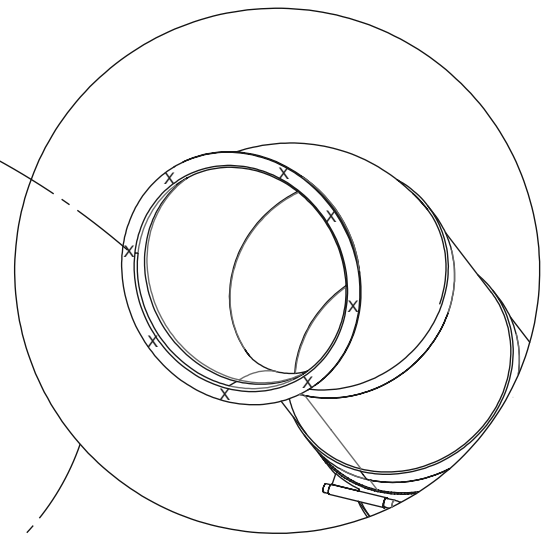
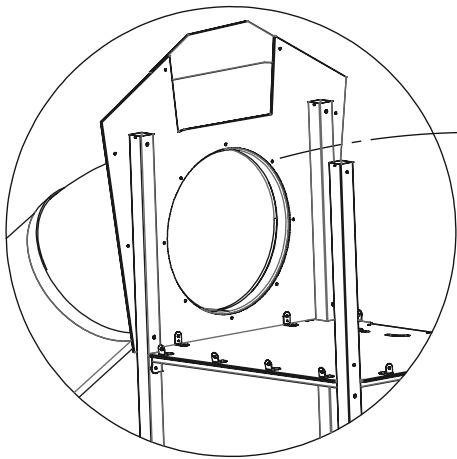
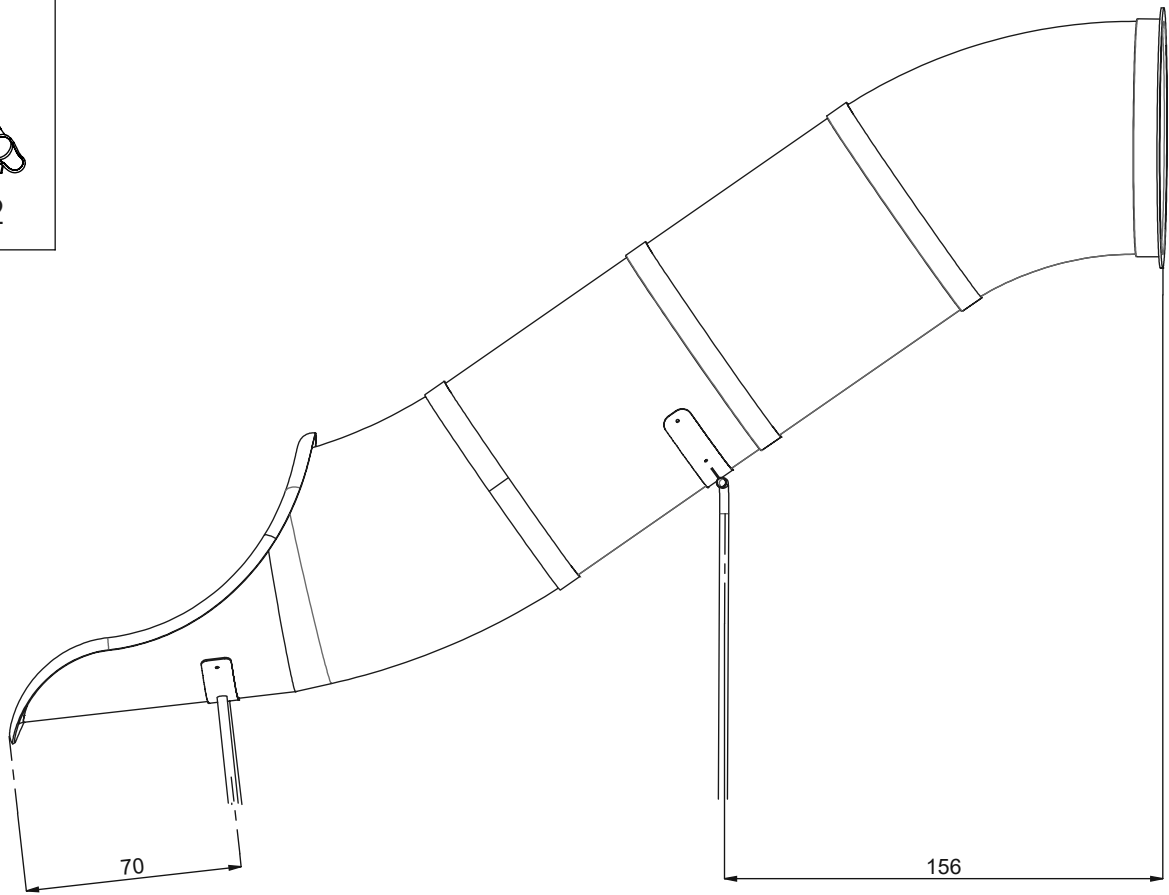


[cm] W3

play
Vinci



0302S2

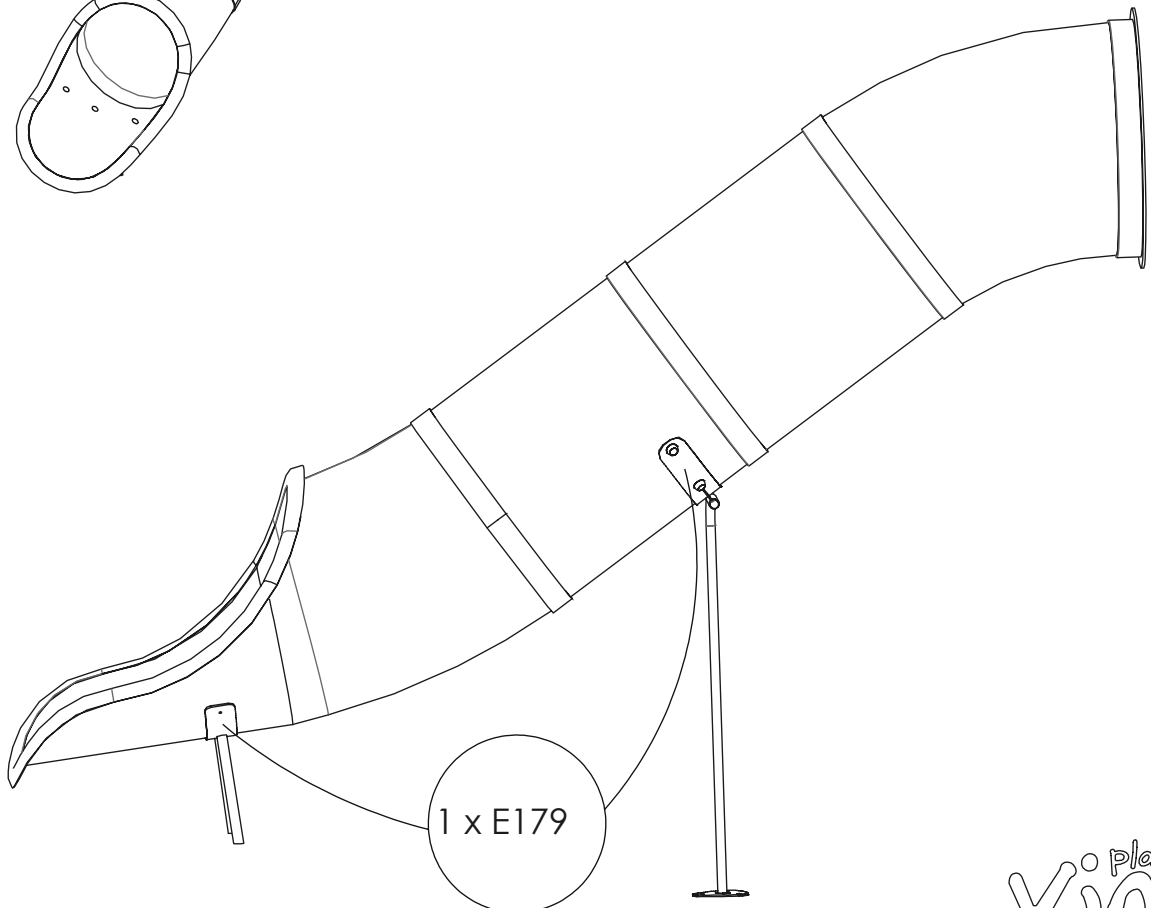
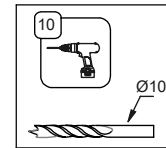
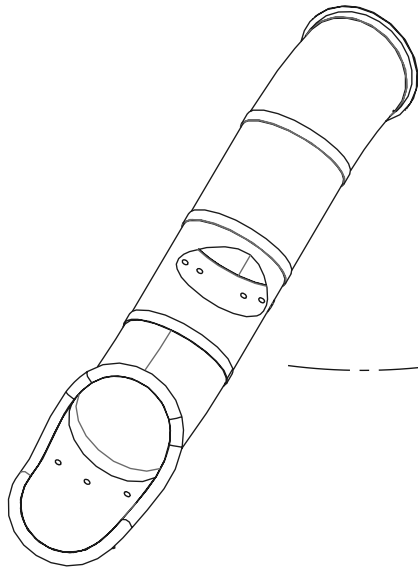
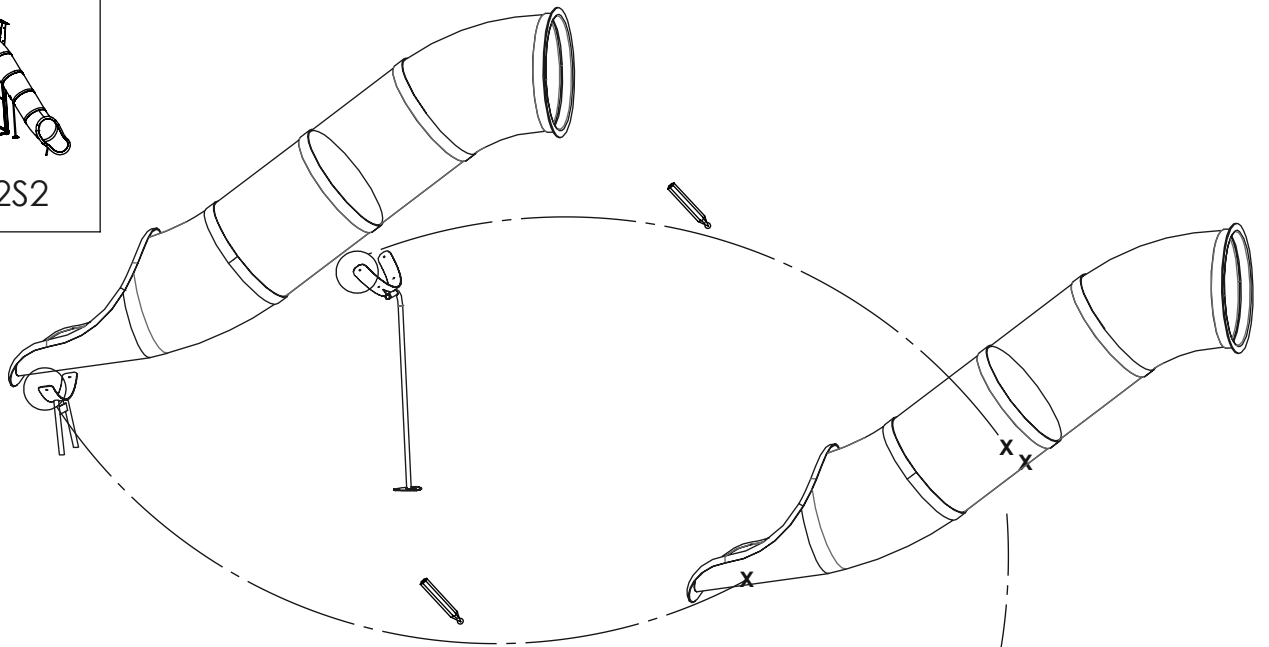


[cm] W3

play
Vinci

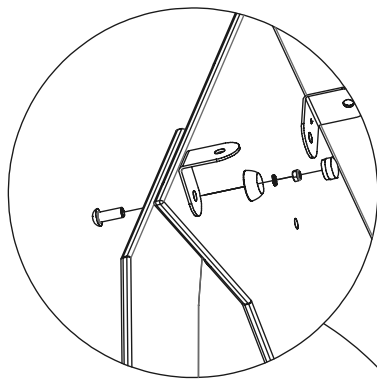
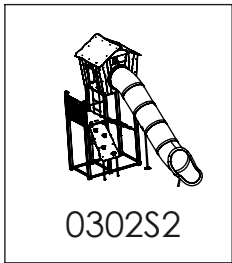


0302S2

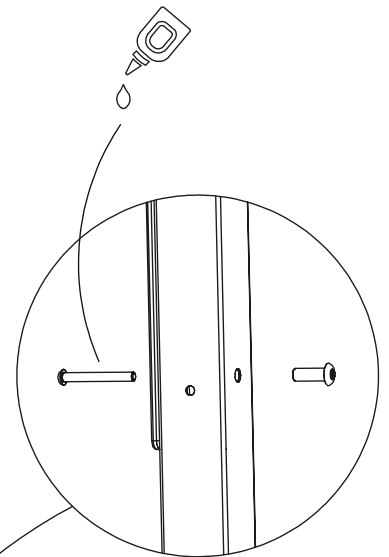


[cm] W3

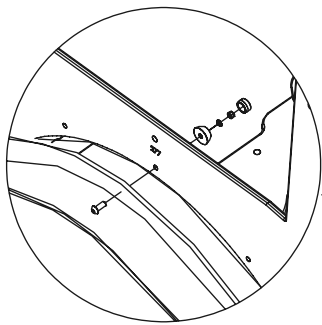
play
Vinci



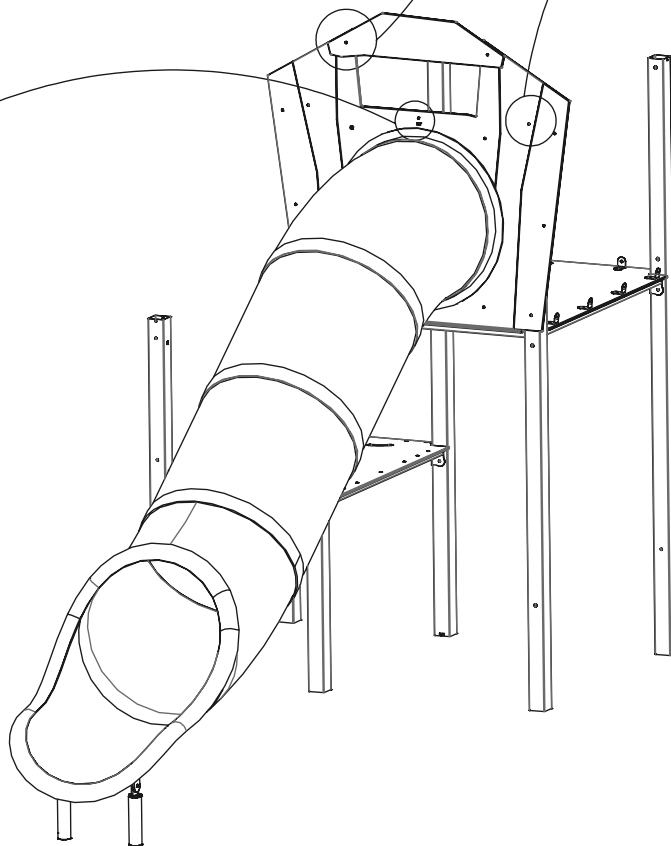
1 x CR10

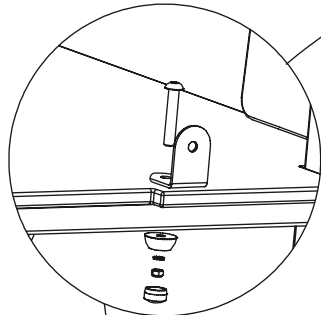


1 x CR2

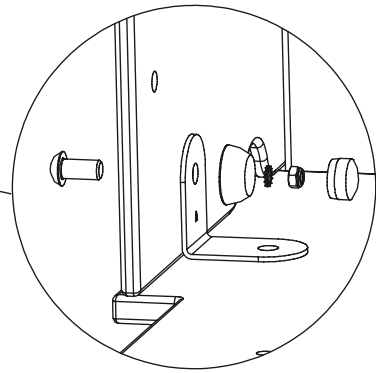


1 x CR106

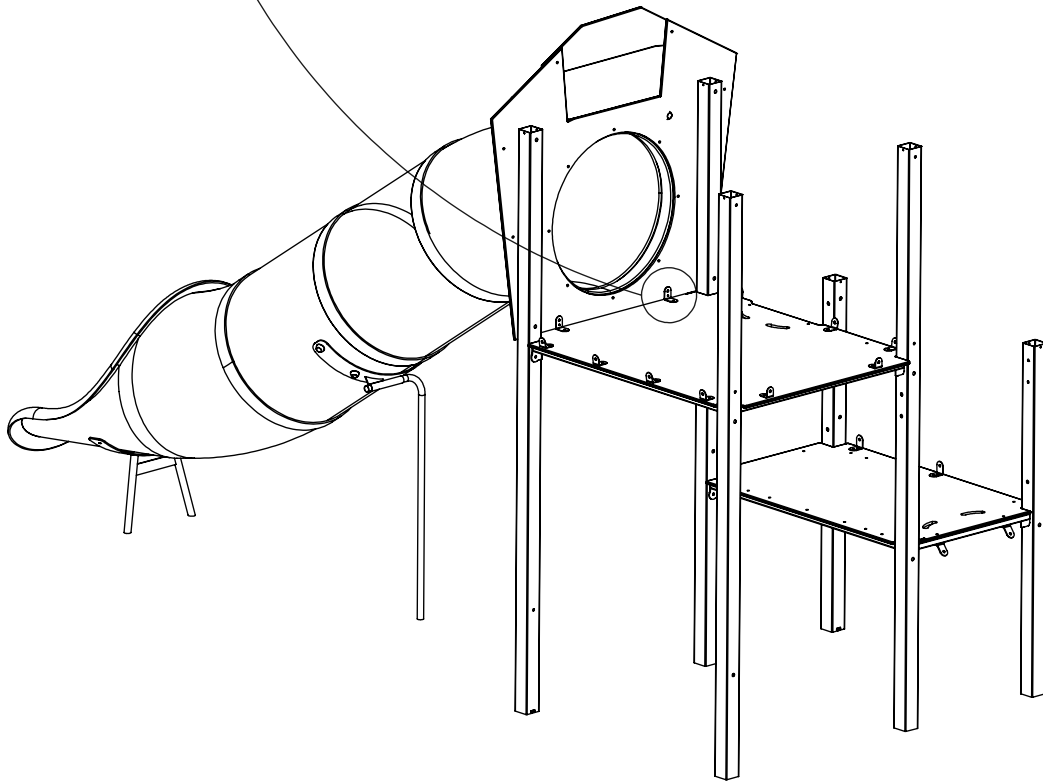


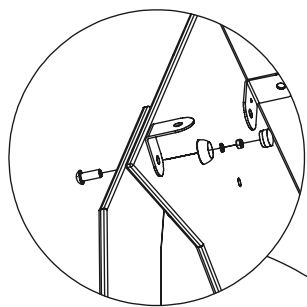


1 x CR7

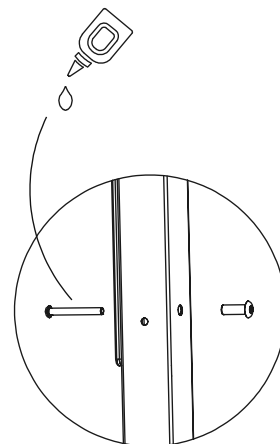


1 x CR18

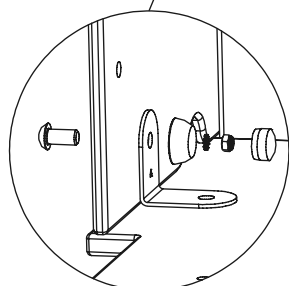




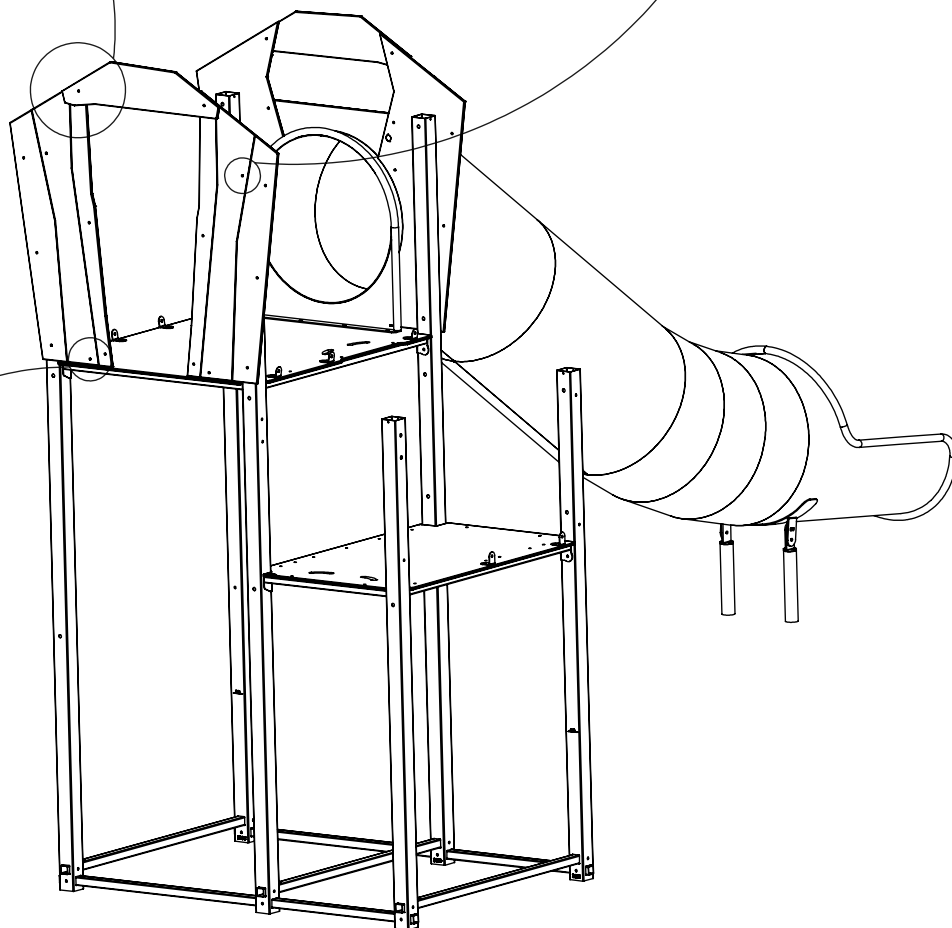
1 x CR10

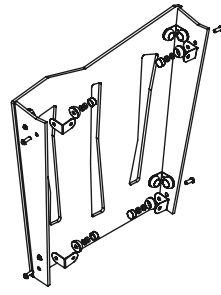
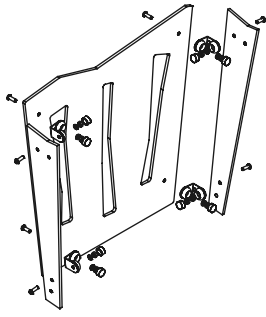


1 x CR2

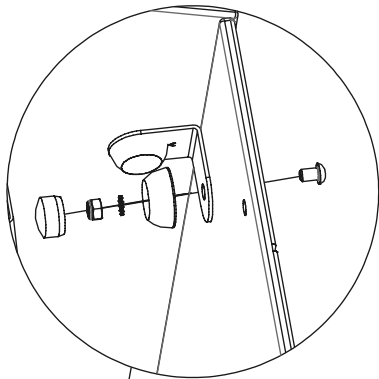


1 x CR18

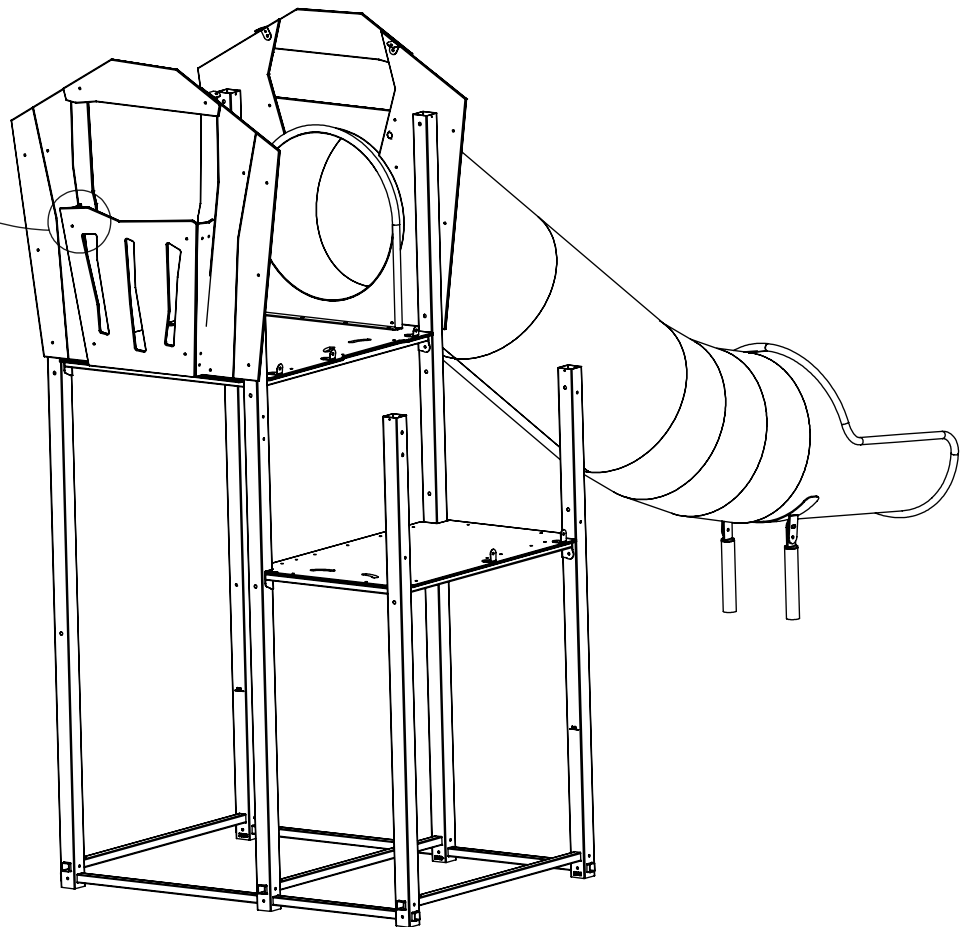




1 x CR43



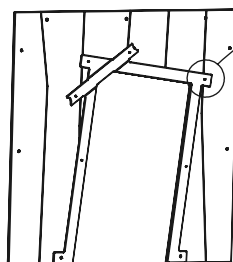
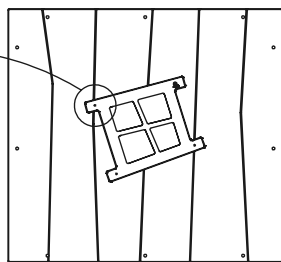
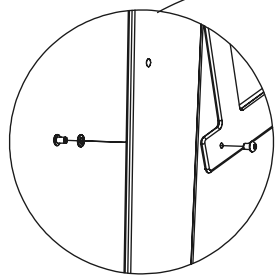
1 x CR20



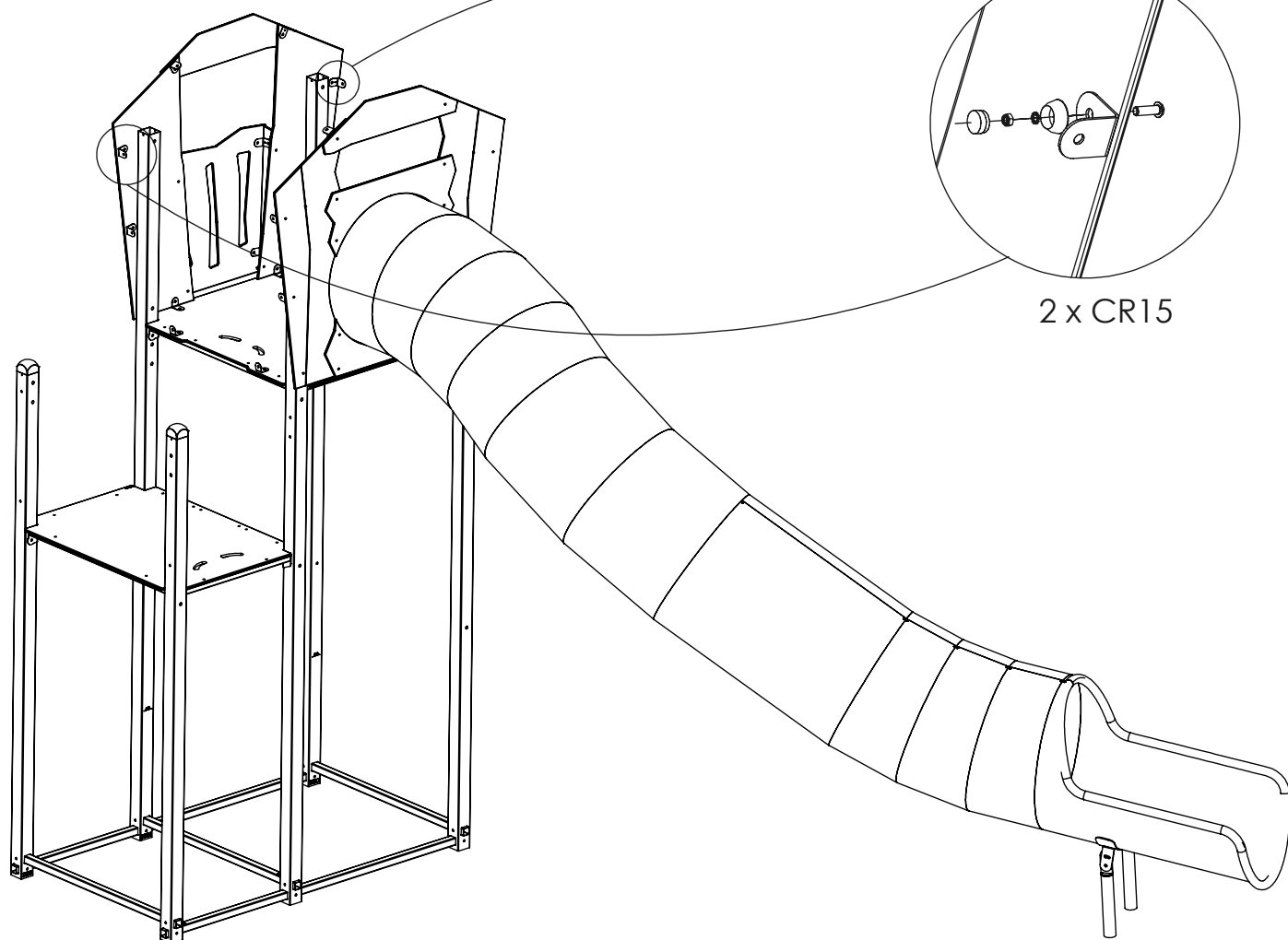
[cm] W3

play
Vinci

1 x CR91



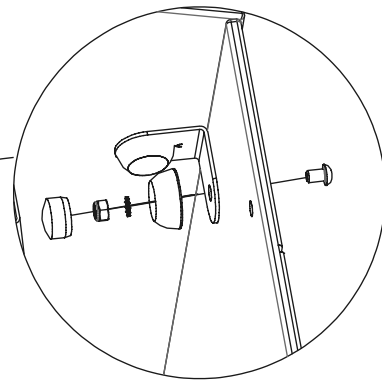
2 x CR98



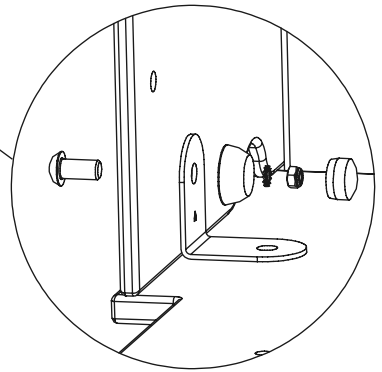
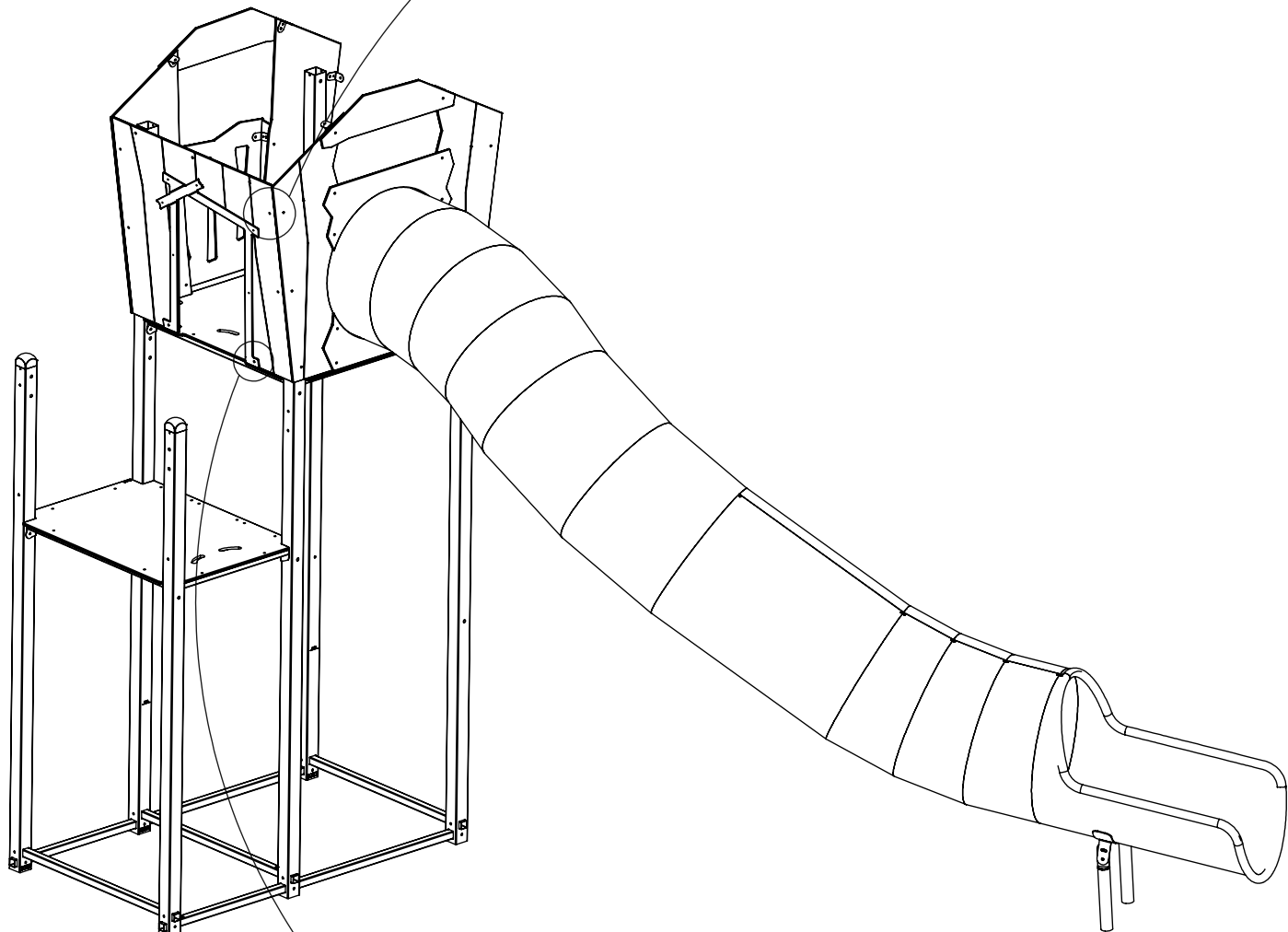
2 x CR15

[cm] W3

play
vinci



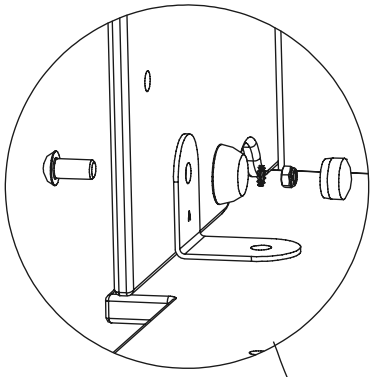
1 x CR20



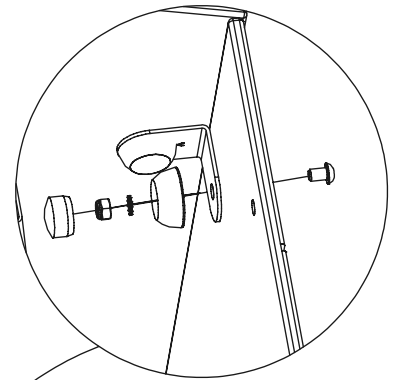
1 x CR113

[cm] W3

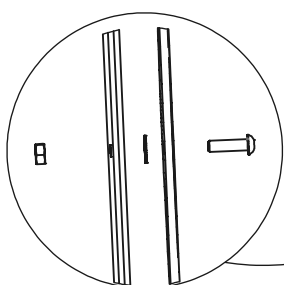
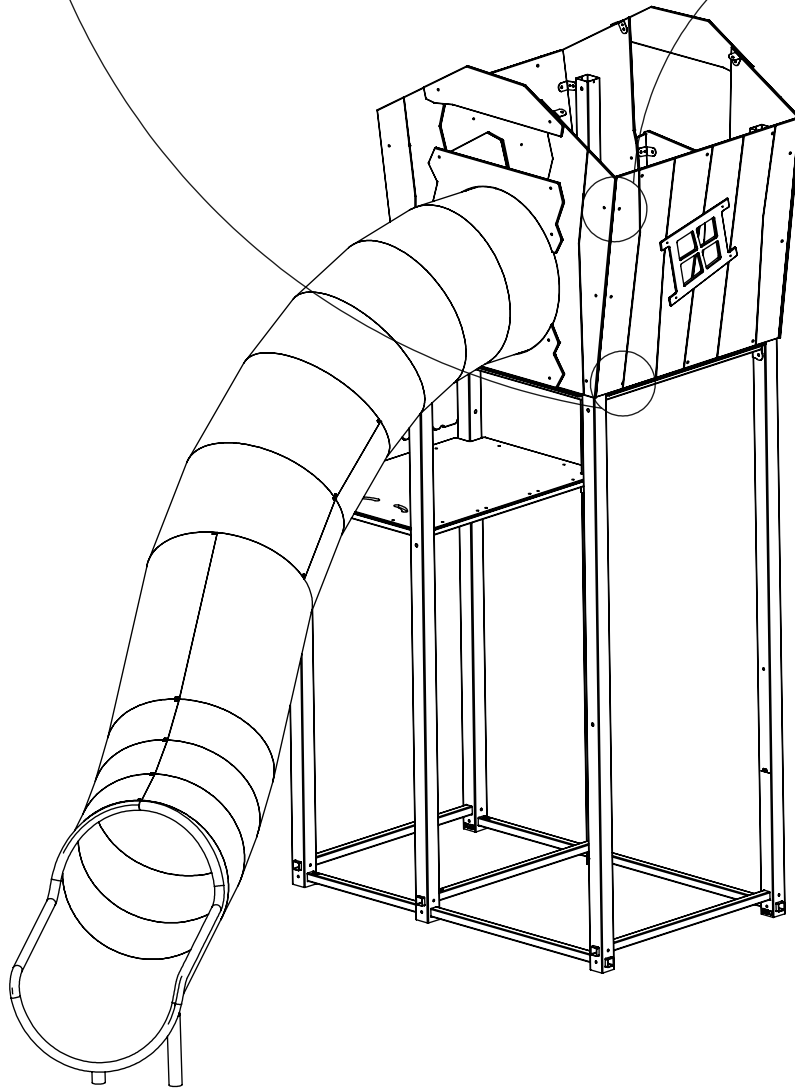
play
Vinci



1 x CR19



1 x CR20



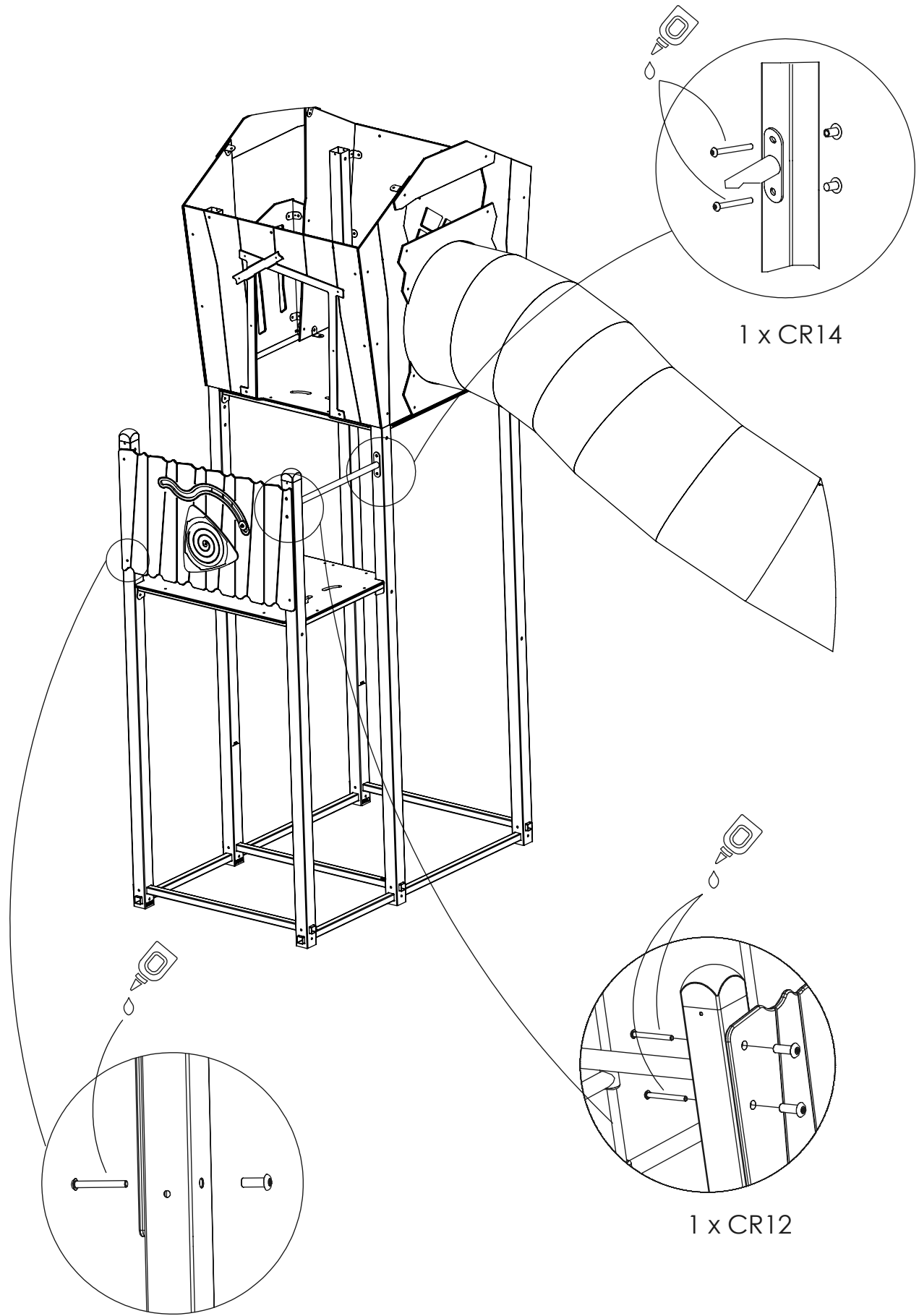
1 x CR33 (C9H)

1 x CR107 (C9H)

1 x CR108 (C5H)

[cm] W3

play
vinici



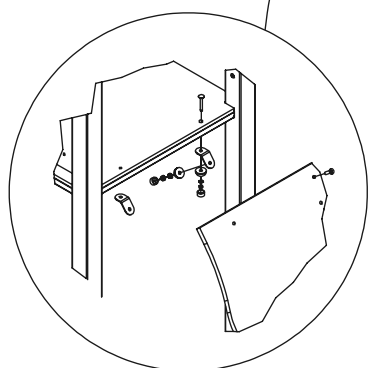
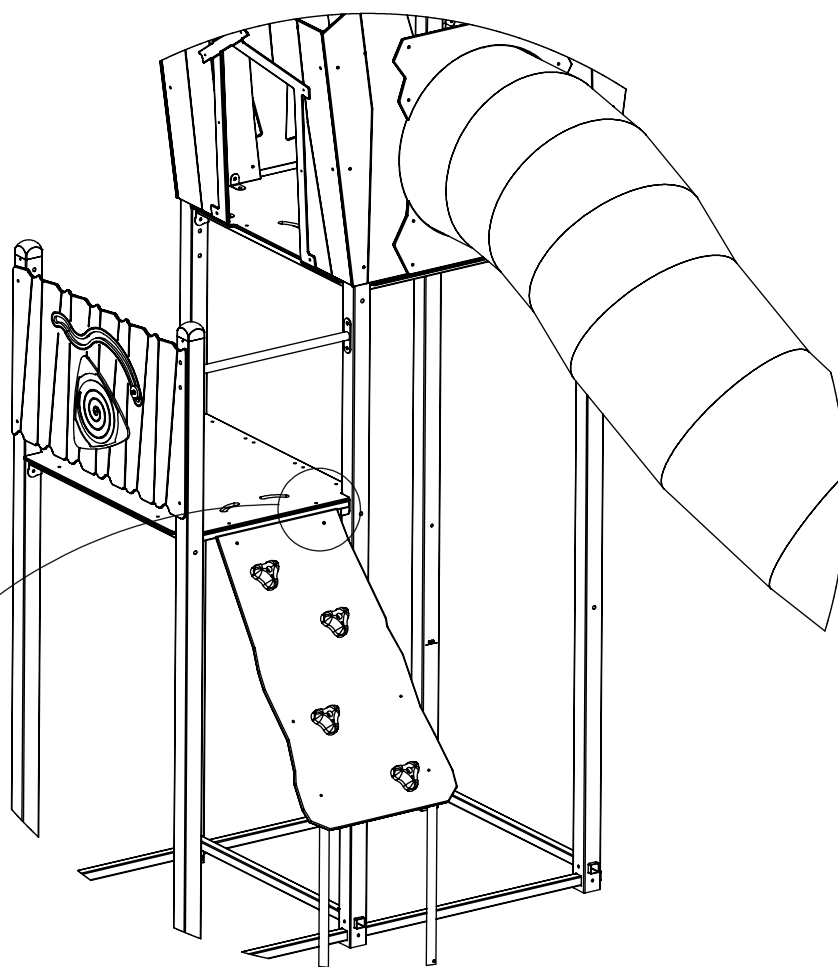
1 x CR14

1 x CR12

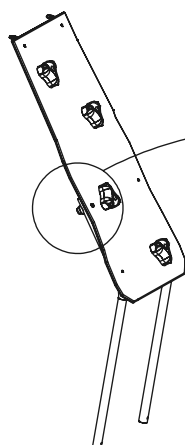
1 x CR13

[cm] W3

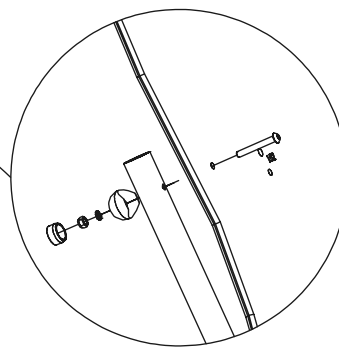
play
Vinci



1 x CR34

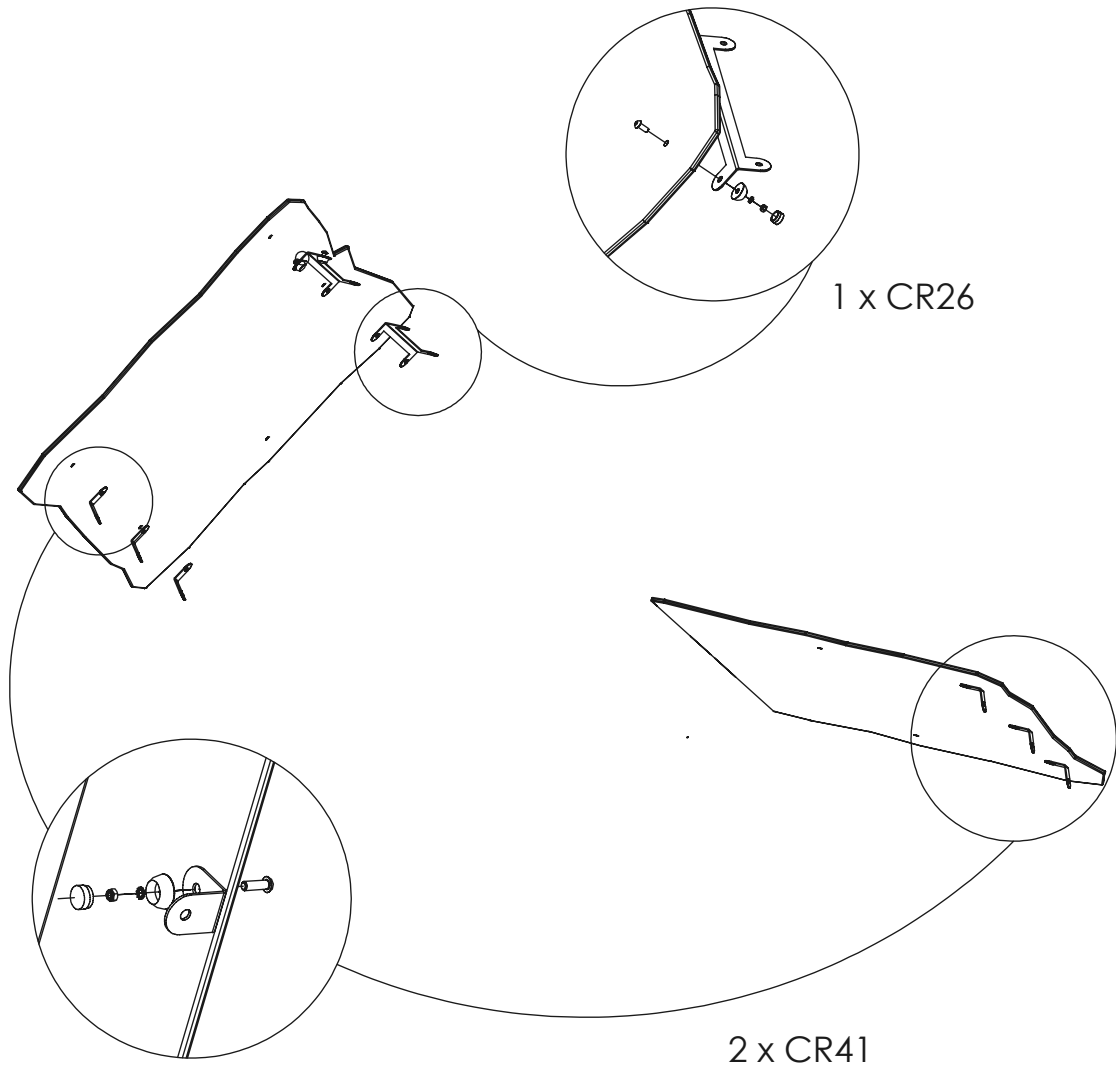


1 x CR34



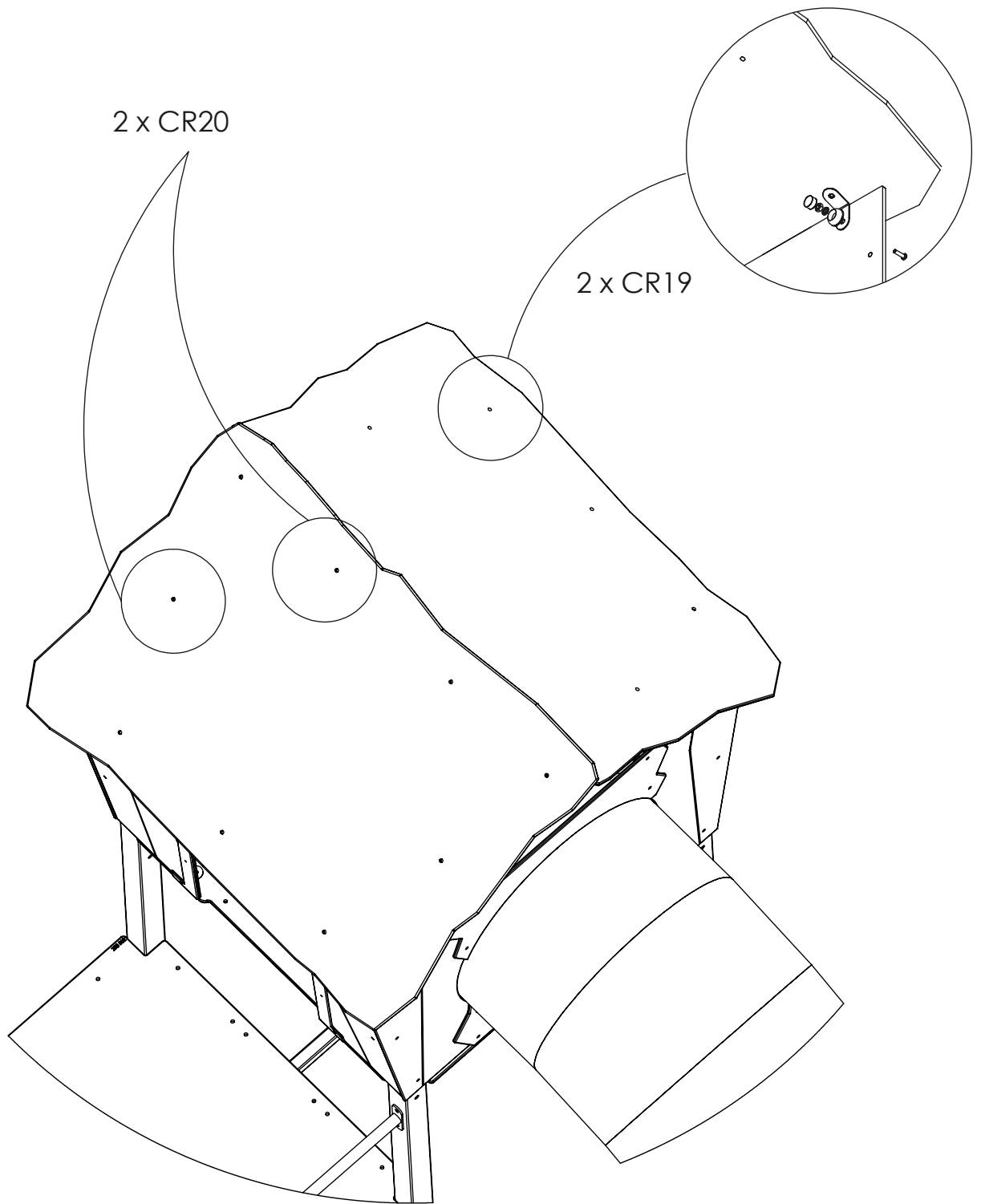
[cm] W3

play
Vinci



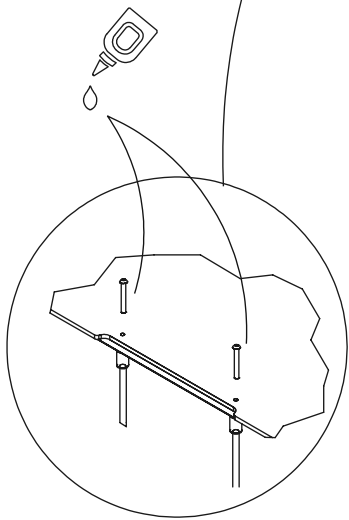
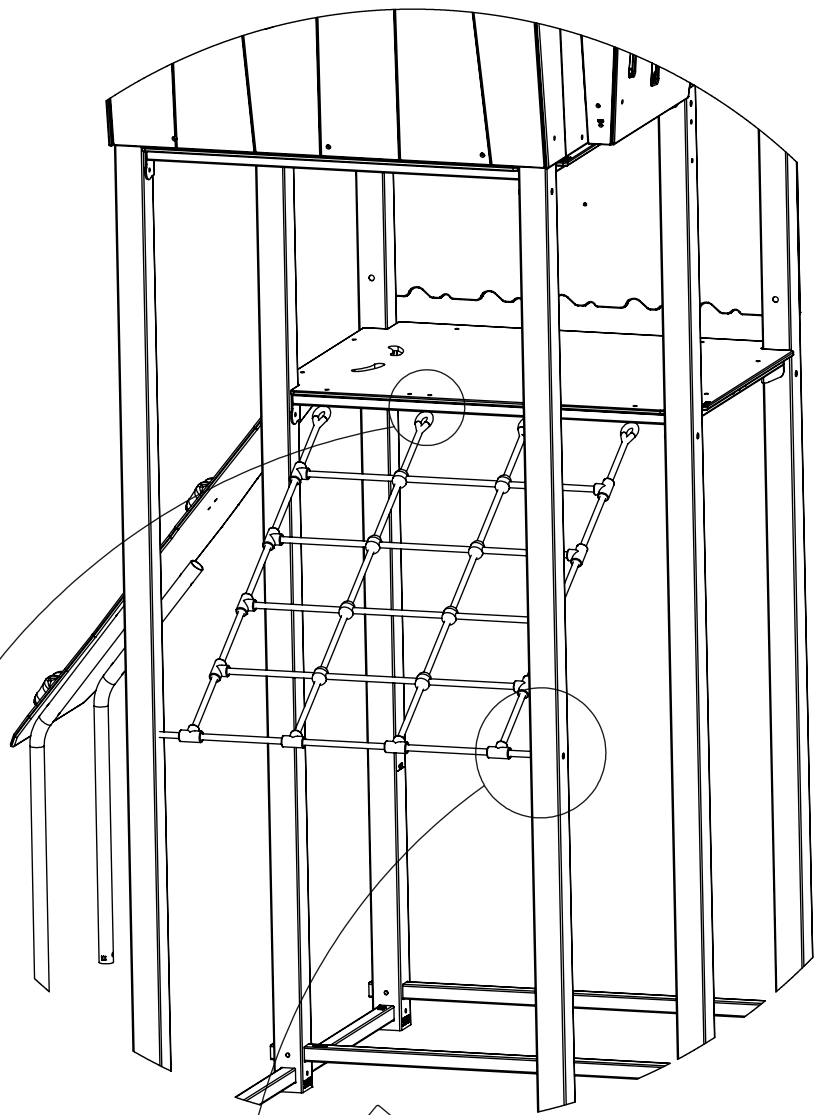
1 x CR26

2 x CR41

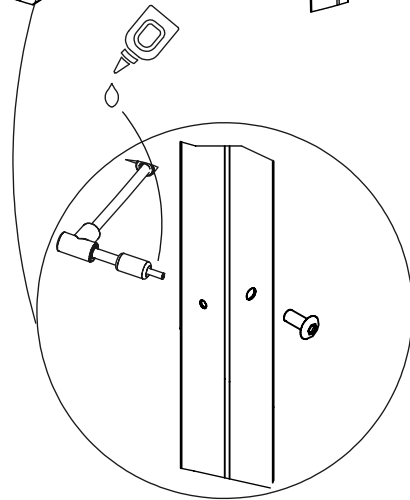


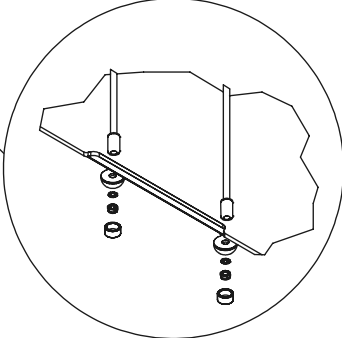
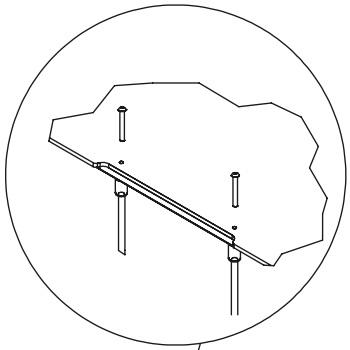
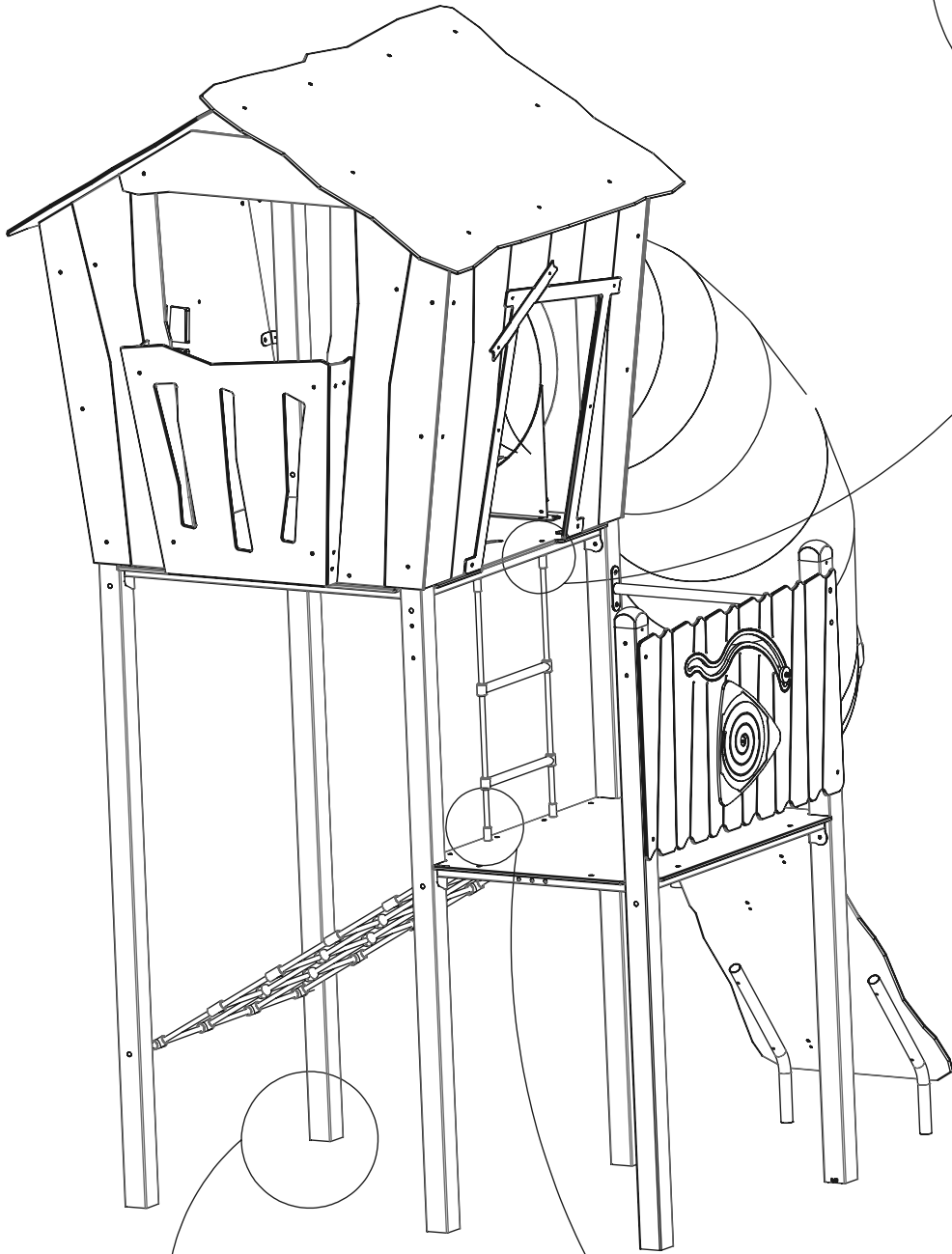
2 x CR20

2 x CR19

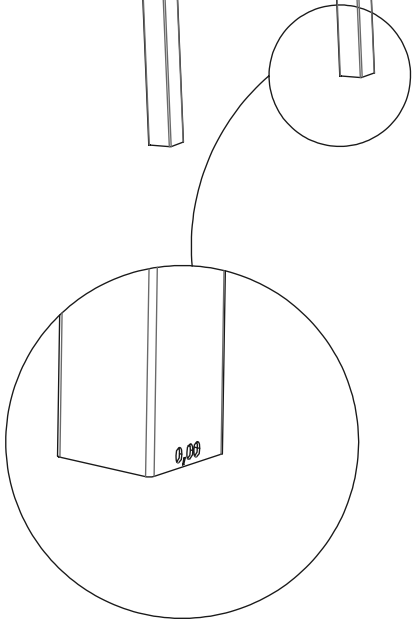


1 x CR37





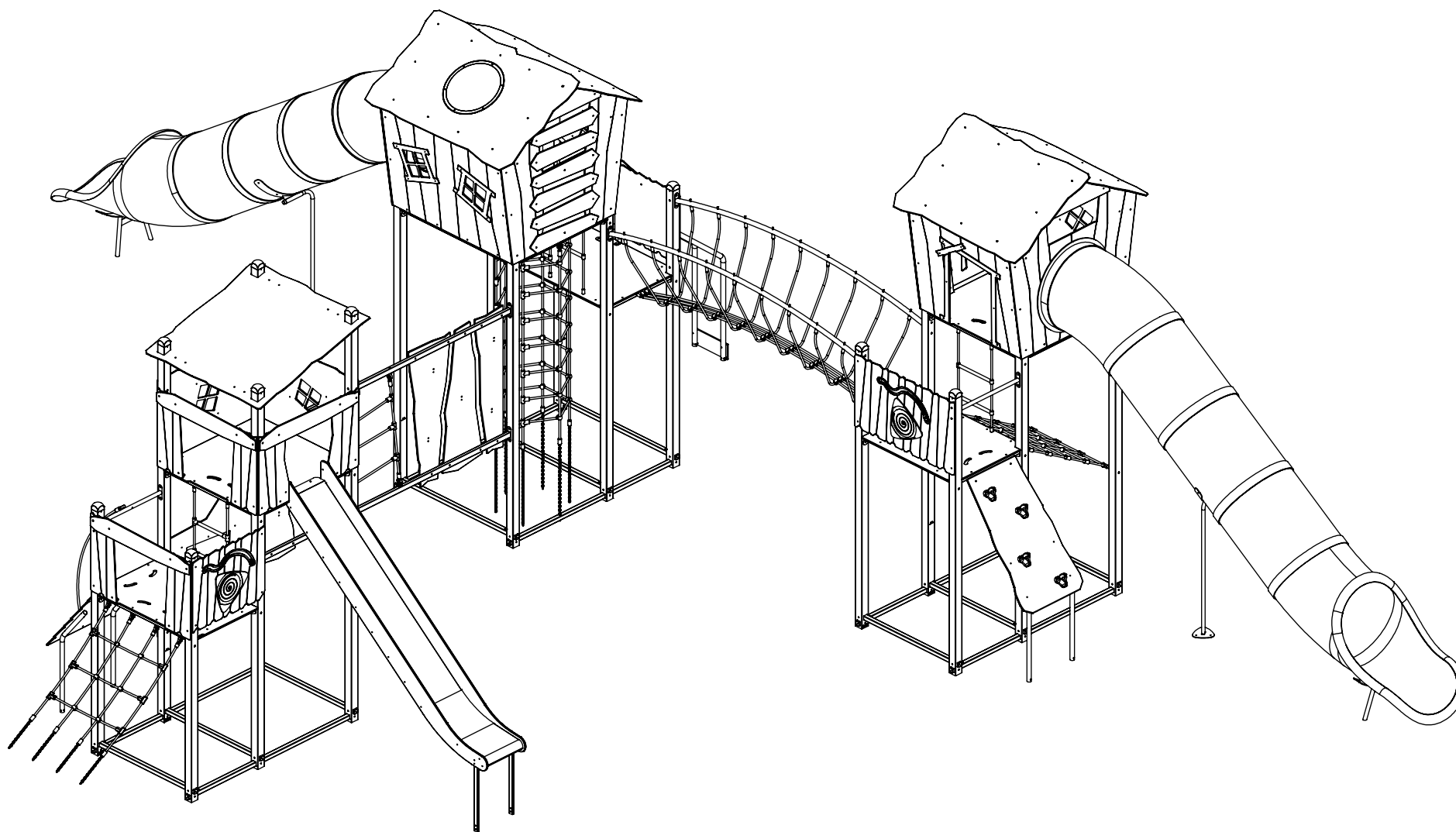
1 x CR119



[cm] W3



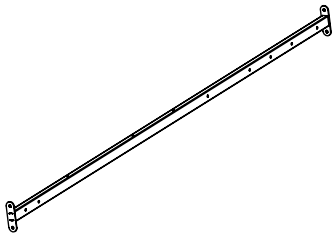
play
vinci



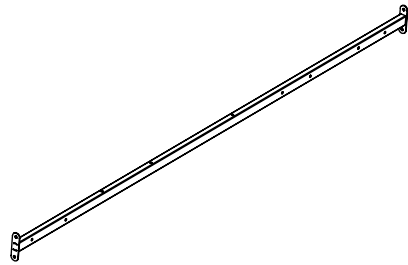
w1+w2+w3

[cm]

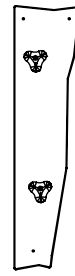
play
Vinci



032131
x 1



032132
x 1



034161
x 1



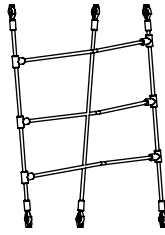
034162
x 1



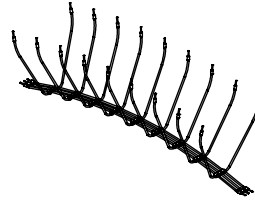
034163
x 1



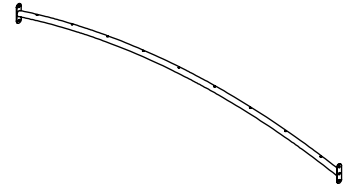
034164
x 1



035103
x 1

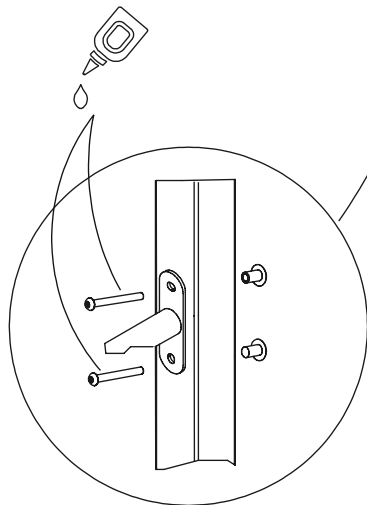
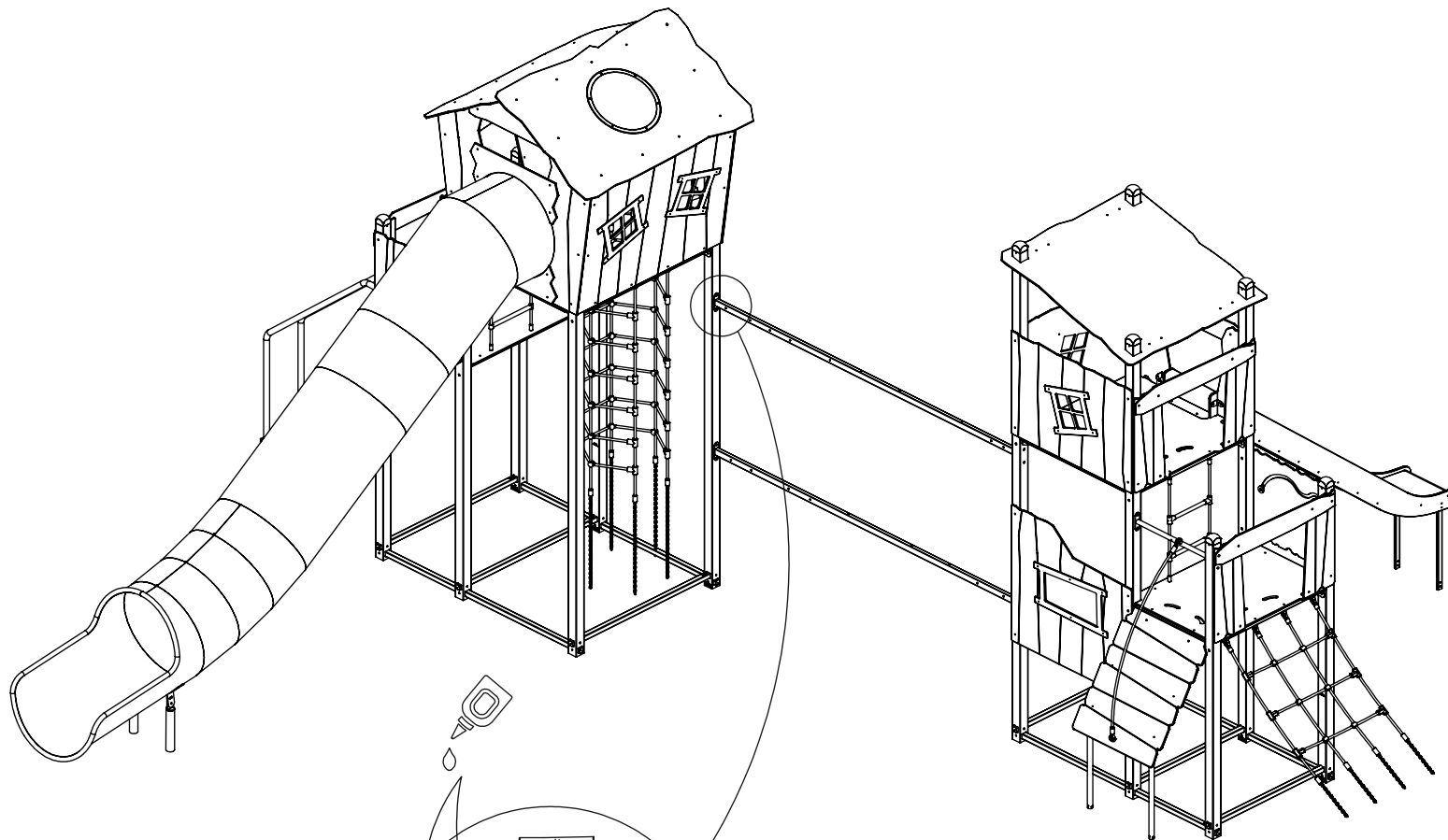


035104
x 1



032175
x 2

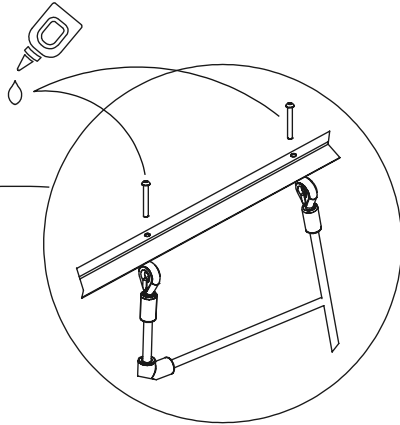
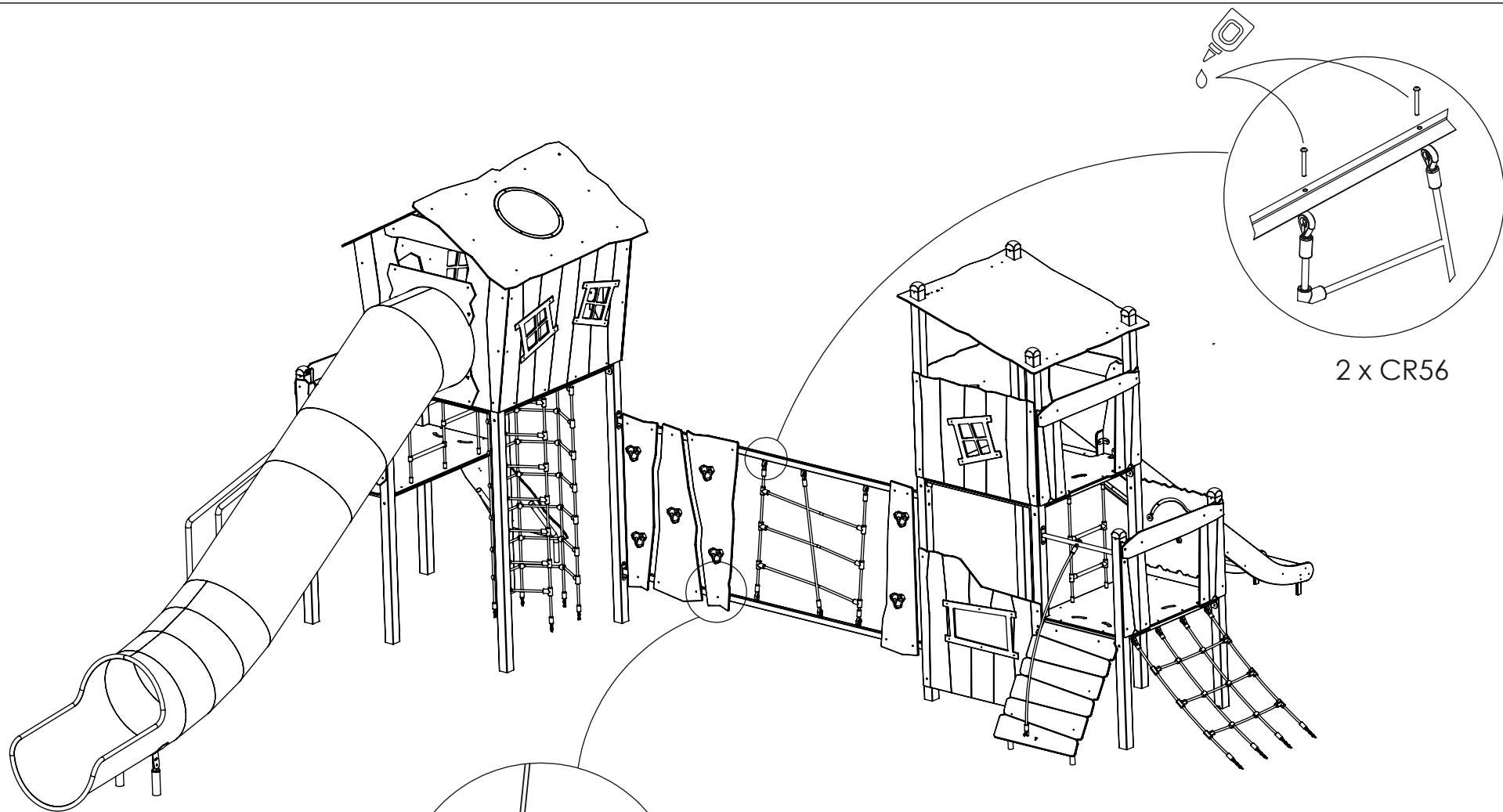
4 x CR2
1 x CR28
1 x CR38
1 x CR39



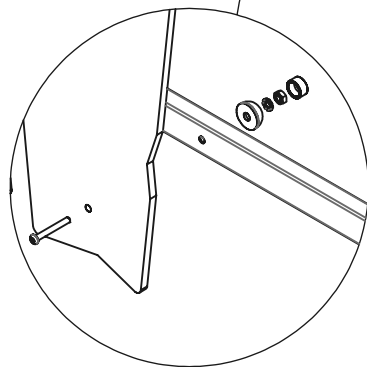
2 x CR2

[cm]W1+W2+W3





2 x CR56

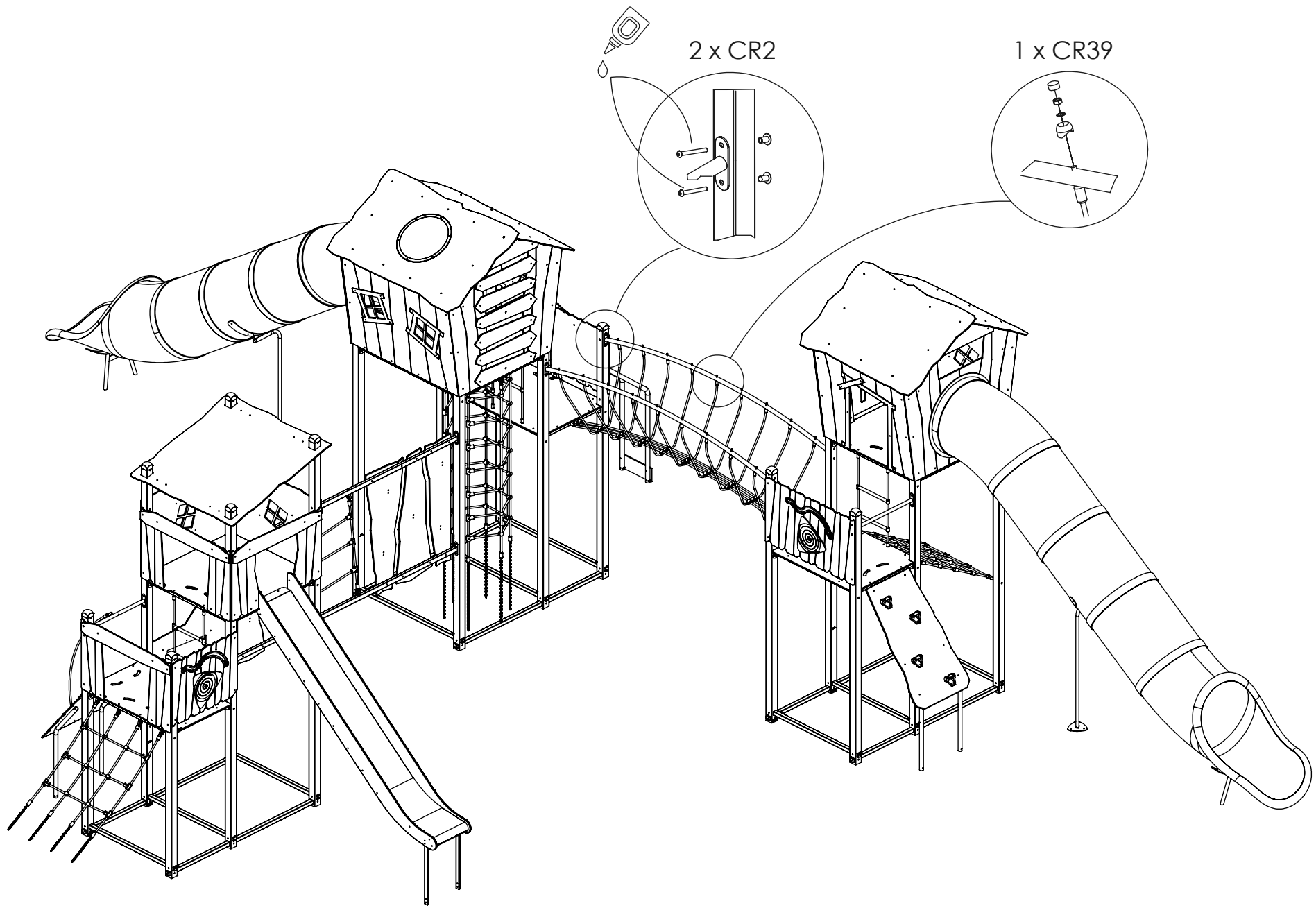


1 x CR38

[cm]W1+W2+W3



play
Vinci



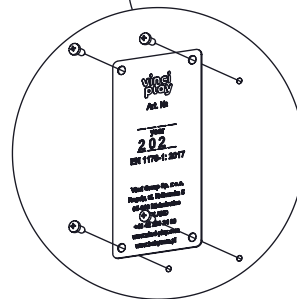
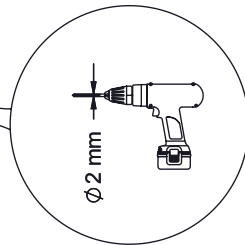
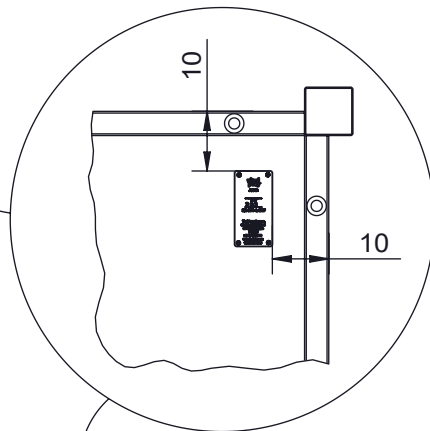
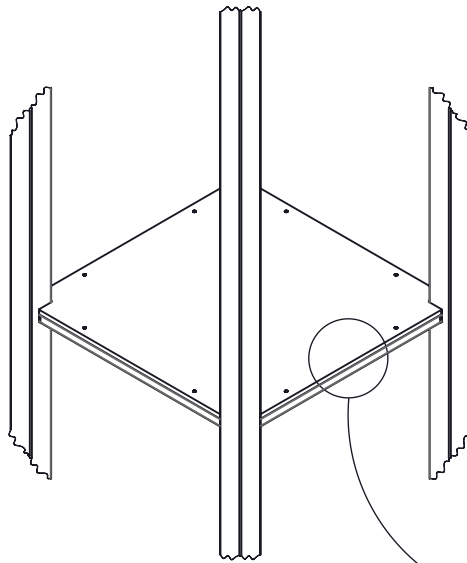
2 x CR2

1 x CR39

[cm]W1+W2+W3



play
vinci



V001